

# MCR13-448

## Toggle Switches

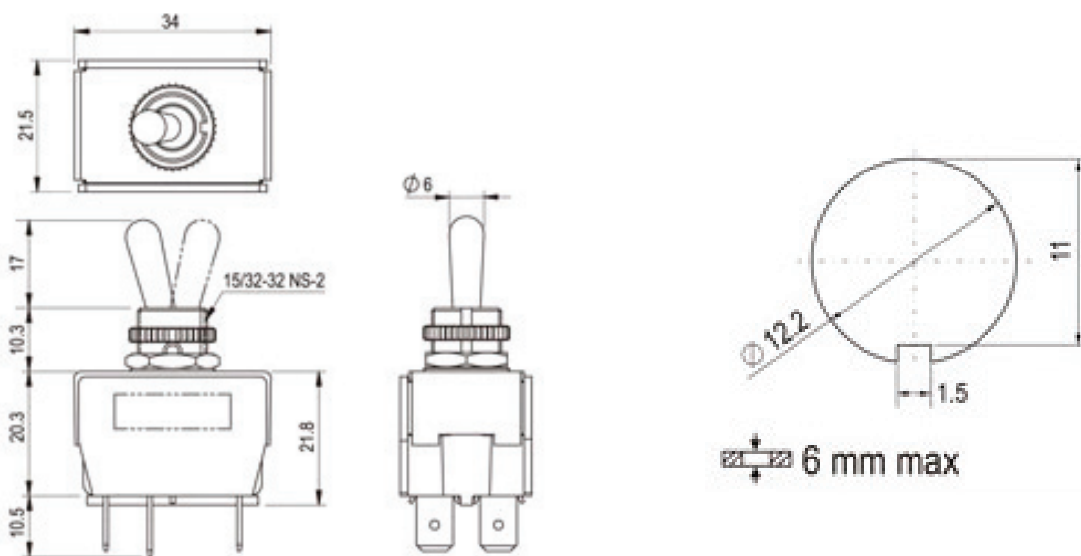


### Features

- Material : Metal lever and bushing are nickel plated metal
- Bushing is nylon with glass fiber
- Frame is nylon.
- Waterproof boot is optional for lever #1 only

### Specifications

Rating	: 16A 277V AC 1HP 1/2HP 125V AC 20A 277V AC 1HP 1/2HP 125V AC
Contact resistance	: 50mΩ Max.
Insulation resistance	: DC 500V 100MΩ Min.
Dielectric strength	: AC 1,500V 1 minute

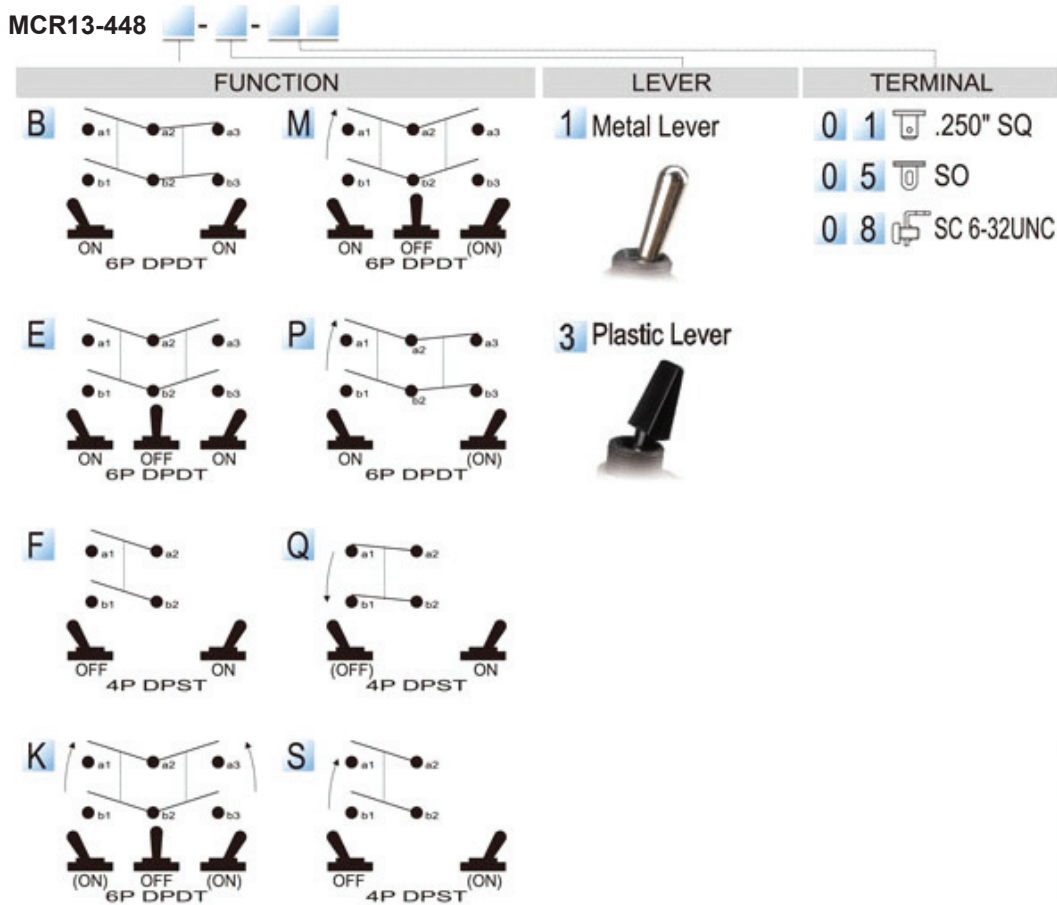


Dimensions : Millimeters



# MCR13-448

## Toggle Switches



### Part Number Table

Description	Part Number
Switch, DPDT ON-ON, SQ, Metal Lever	MCR13-448B-1-01
Switch, DPDT ON-ON, SO, Metal Lever	MCR13-448B-1-05
Switch, DPDT ON-ON, SC, Metal Lever	MCR13-448B-1-08
Switch, DPDT ON-ON, SQ, Plastic Lever	MCR13-448B-3-01
Switch, DPDT ON-ON, SO, Plastic Lever	MCR13-448B-3-05
Switch, DPDT ON-ON, SC, Plastic Lever	MCR13-448B-3-08
Switch, DPDT ON-OFF-ON, SQ, Metal Lever	MCR13-448E-1-01
Switch, DPDT ON-OFF-ON, SO, Metal Lever	MCR13-448E-1-05
Switch, DPDT ON-OFF-ON, SC, Metal Lever	MCR13-448E-1-08
Switch, DPDT ON-OFF-ON, SQ, Plastic	MCR13-448E-3-01
Switch, DPDT ON-OFF-ON, SO, Plastic	MCR13-448E-3-05
Switch, DPDT ON-OFF-ON, SC, Plastic	MCR13-448E-3-08
Switch, DPST OFF-ON, SQ, Metal Lever	MCR13-448F-1-01
Switch, DPST OFF-ON, SO, Metal Lever	MCR13-448F-1-05



# MCR13-448

## Toggle Switches



### Part Number Table

Description	Part Number
Switch, DPST OFF-ON, SC, Metal Lever	MCR13-448F-1-08
Switch, DPST OFF-ON, SQ, Plastic Lever	MCR13-448F-3-01
Switch, DPST OFF-ON, SO, Plastic Lever	MCR13-448F-3-05
Switch, DPST OFF-ON, SC, Plastic Lever	MCR13-448F-3-08
Switch, DPDT (ON)-OFF-(ON), SQ, Metal	MCR13-448K-1-01
Switch, DPDT (ON)-OFF-(ON), SO, Metal	MCR13-448K-1-05
Switch, DPDT (ON)-OFF-(ON), SC, Metal	MCR13-448K-1-08
Switch, DPDT (ON)-OFF-(ON), SQ, Plastic	MCR13-448K-3-01
Switch, DPDT (ON)-OFF-(ON), SO, Plastic	MCR13-448K-3-05
Switch, DPDT (ON)-OFF-(ON), SC, Plastic	MCR13-448K-3-08
Switch, DPDT ON-OFF-(ON), SQ, Metal	MCR13-448M-1-01
Switch, DPDT ON-OFF-(ON), SO, Metal	MCR13-448M-1-05
Switch, DPDT ON-OFF-(ON), SC, Metal	MCR13-448M-1-08
Switch, DPDT ON-OFF-(ON), SQ, Plastic	MCR13-448M-3-01
Switch, DPDT ON-OFF-(ON), SO, Plastic	MCR13-448M-3-05
Switch, DPDT ON-OFF-(ON), SC, Plastic	MCR13-448M-3-08
Switch, DPDT ON-(ON), SQ, Metal Lever	MCR13-448P-1-01
Switch, DPDT ON-(ON), SO, Metal Lever	MCR13-448P-1-05
Switch, DPDT ON-(ON), SC, Metal Lever	MCR13-448P-1-08
Switch, DPDT ON-(ON), SQ, Plastic Lever	MCR13-448P-3-01
Switch, DPDT ON-(ON), SO, Plastic Lever	MCR13-448P-3-05
Switch, DPDT ON-(ON), SC, Plastic Lever	MCR13-448P-3-08
Switch, DPST (OFF)-ON, SQ, Metal Lever	MCR13-448Q-1-01
Switch, DPST (OFF)-ON, SO, Metal Lever	MCR13-448Q-1-05
Switch, DPST (OFF)-ON, SC, Metal Lever	MCR13-448Q-1-08
Switch, DPST (OFF)-ON, SQ, Plastic Lever	MCR13-448Q-3-01
Switch, DPST (OFF)-ON, SO, Plastic Lever	MCR13-448Q-3-05
Switch, DPST (OFF)-ON, SC, Plastic Lever	MCR13-448Q-3-08
Switch, DPST OFF-(ON), SQ, Metal Lever	MCR13-448S-1-01
Switch, DPST OFF-(ON), SO, Metal Lever	MCR13-448S-1-05
Switch, DPST OFF-(ON), SC, Metal Lever	MCR13-448S-1-08
Switch, DPST OFF-(ON), SQ, Plastic Lever	MCR13-448S-3-01
Switch, DPST OFF-(ON), SO, Plastic Lever	MCR13-448S-3-05
Switch, DPST OFF-(ON), SC, Plastic Lever	MCR13-448S-3-08

**Important Notice** : This data sheet and its contents (the "Information") belong to the members of the Premier Farnell group of companies (the "Group") or are licensed to it. No licence is granted for the use of it other than for information purposes in connection with the products to which it relates. No licence of any intellectual property rights is granted. The Information is subject to change without notice and replaces all data sheets previously supplied. The Information supplied is believed to be accurate but the Group assumes no responsibility for its accuracy or completeness, any error in or omission from it or for any use made of it. Users of this data sheet should check for themselves the Information and the suitability of the products for their purpose and not make any assumptions based on information included or omitted. Liability for loss or damage resulting from any reliance on the Information or use of it (including liability resulting from negligence or where the Group was aware of the possibility of such loss or damage arising) is excluded. This will not operate to limit or restrict the Group's liability for death or personal injury resulting from its negligence. Multicomp is the registered trademark of the Group. © Premier Farnell plc 2012.

www.element14.com  
 www.farnell.com  
 www.newark.com

