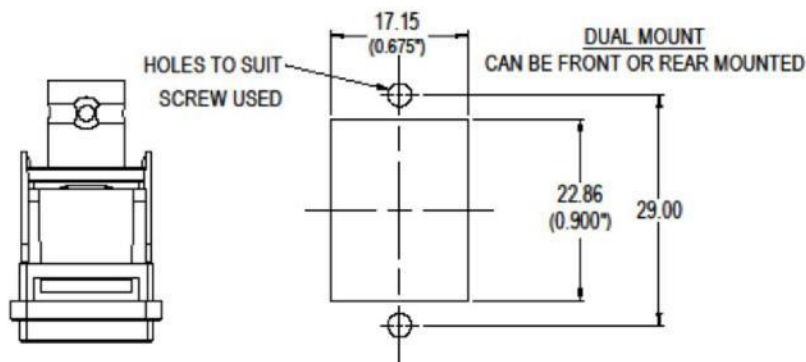


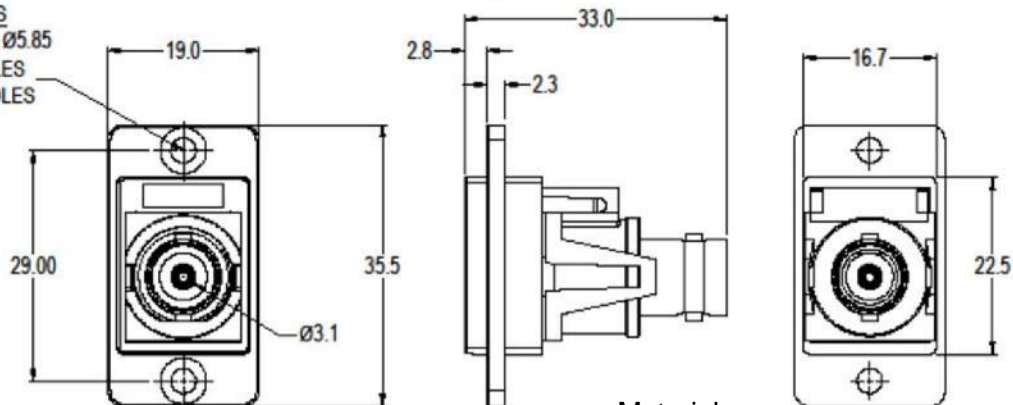
Datasheet

RS PRO SLIM BNC 75 Ohm DUAL MOUNTING FT CONNECTOR

Stock No: 2522995



3x HOLE VARIANTS
 $\varnothing 3.2$ mm CSK $90^\circ \times \varnothing 5.85$
 'X' PLAIN $\varnothing 2.5$ HOLES
 'X1' PLAIN $\varnothing 3.2$ HOLES



Material:

1. SLIM Frame: Polyamide UL94 V2
2. BNC Frame: ABS UL94 V2
3. BNC Body: Brass - Nickel Plated
4. BNC Centre: Brass - Copper Plated
5. BNC Insulator: PP UL94 V2

Features & Benefits:

- Fits standard rectangular cutout.
- Front or rear mounting through the panel.
- Various hole mounting options
- No soldering or punch termination. Use standard cable for each connector style.
- Low rear profile

General:

Please note: Functionality is affected by cable quality, length and cable wiring configuration.

Other models available:

Part No.

2522995 - DUALSLIM FT BNC 75 Ohm Black plastic frame, CSK holes



rspro.com





rspro.com

