

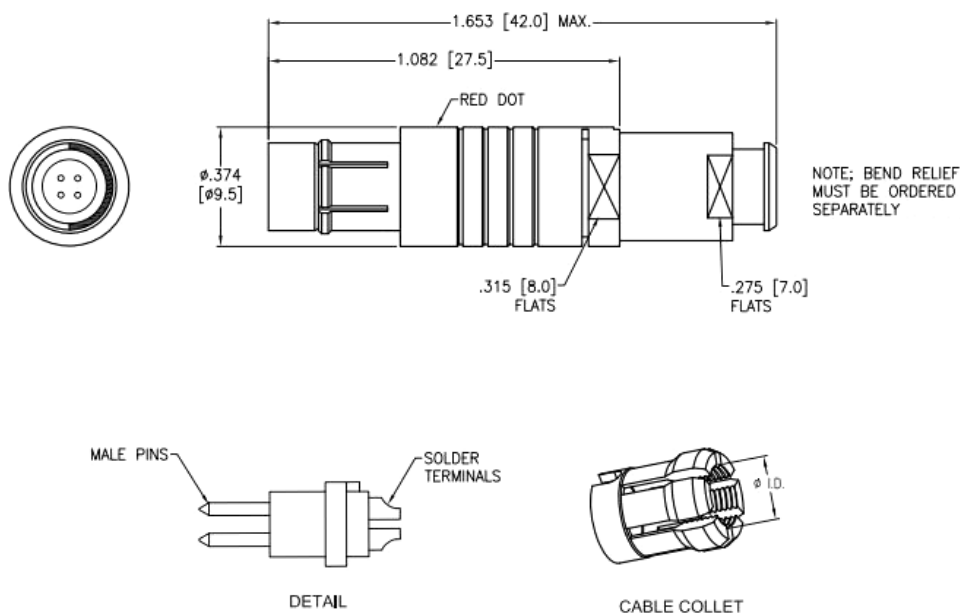
# Push Pull Connector IP68 Metal

multicomp<sup>PRO</sup>

RoHS  
Compliant



## Diagram



Dimensions : Millimetres

## Specifications

### Material

Housing (Body) : Brass, Natural Chrome plated  
Insulator : PPS  
Terminal : Brass, Gold Plated

### Electrical

Voltage Rating : 250V  
Current Rating : See chart  
Dielectric withstanding voltage : See chart  
Electrical Life : 5,000 Cycles min.

### Temperature Rating

Operating temperature : -55°C to +150°C

### Environmental






IP68 Protection (Mated Condition)




Newark.com/multicomp-pro  
Farnell.com/multicomp-pro  
sg.element14.com/b/multicomp-pro

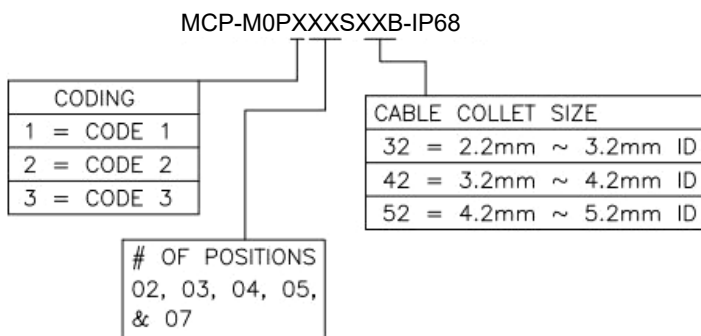
multicomp<sup>PRO</sup>

# Push Pull Connector IP68 Metal

**multicomp** PRO

	2 Pin	3 Pin	4 Pin	5 Pin	7 Pin
Configuration					
Diameter of Pin	Ø0.9	Ø0.9	Ø0.7	Ø0.7	Ø0.5
Testing Voltage	1200V	1100V	900V	900V	700V
Working Voltage	350V	300V	250V	250V	200V
Rated Current / Pin	8A	8A	5A	5A	3A

Coding Options		
		
Code 1	Code 2	Code 3



## Part Number Table

Description	Position	Part Number
Push Pull Connector Male Plug, 4.2mm to 5.2mm, Bend Relief, IP68	2	MCP-M0P102S52B-IP68
	3	MCP-M0P103S52B-IP68
	4	MCP-M0P104S52B-IP68
	5	MCP-M0P105S52B-IP68
	7	MCP-M0P107S52B-IP68

**Important Notice :** This data sheet and its contents (the "Information") belong to the members of the AVNET group of companies (the "Group") or are licensed to it. No licence is granted for the use of it other than for information purposes in connection with the products to which it relates. No licence of any intellectual property rights is granted. The Information is subject to change without notice and replaces all data sheets previously supplied. The Information supplied is believed to be accurate but the Group assumes no responsibility for its accuracy or completeness, any error in or omission from it or for any use made of it. Users of this data sheet should check for themselves the Information and the suitability of the products for their purpose and not make any assumptions based on information included or omitted. Liability for loss or damage resulting from any reliance on the Information or use of it (including liability resulting from negligence or where the Group was aware of the possibility of such loss or damage arising) is excluded. This will not operate to limit or restrict the Group's liability for death or personal injury resulting from its negligence. Multicomp Pro is the registered trademark of Premier Farnell Limited 2019.

Newark.com/multicomp-pro  
Farnell.com/multicomp-pro  
sg.element14.com/b/multicomp-pro

**multicomp** PRO