

RS PRO Photoelectric Sensor

RS Stock No.: 2043978, 2043979

FEATURES

- Diffuse reflection working principle;
- Excellent anti-interference performance;
- High detection accuracy.



RS Professionally Approved Products bring to you professional quality parts across all product categories. Our product range has been tested by engineers and provides a comparable quality to the leading brands without paying a premium price.

Part Number Description

Part number	Sensing distance	Light source	Output	Connection
2043978	100cm (adjustable)	Infrared LED (880nm)	NPN NO+NC	2m PVC cable
2043979	100cm (adjustable)	Infrared LED (880nm)	PNP NO+NC	2m PVC cable

General Specifications

Detection Type	Diffuse reflection sensor
Rated distance	100cm adjustable
Standard target	White card reflection rate 90%
Detected target	Opaque object
Repeat accuracy [R]	≤5%
Response Time	≤8.2ms
Output Indicator	Yellow LED
Ambient temperature	-15°C...55 °C
Ambient humidity	35...85 %RH (non-condensing)

Electrical Specifications

Operating Supply Voltage	10...30 VDC
Current Consumption	≤25mA
Residual voltage	≤2.5V
Load Current	≤200mA
Hysteresis	≤3...20%
Reverse Polarity Protection	YES
Overload Protection	YES
Short Circuit Protection	YES
Voltage withstand	1000V/AC 50/60Hz 60s
Insulation resistance	≥50MΩ(500VDC)
Vibration resistance	10...50Hz (0.5mm)

Mechanical Specifications

Body Style	Barrel
Mounting Type	Screw Nut
Housing Material	PBT
Dimensions	M30*62mm
Weight	215g

Protection Category

IP Rating

IP67

Additional Information

Custom Tariff Number/HS code

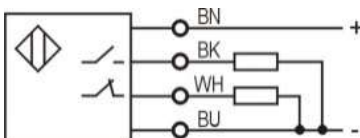
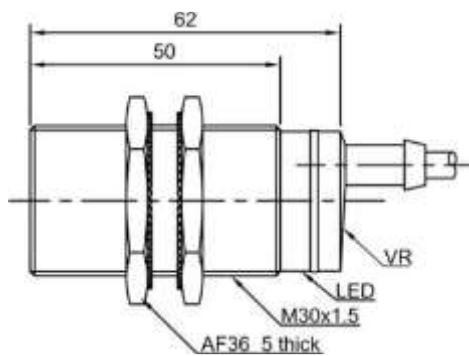
903180

Approvals

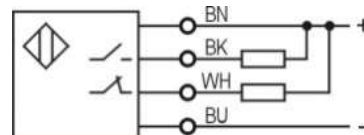
Compliance/Certifications

CE

Dimension and Wiring



PNP NO+NC



NPN NO+NC