



ENGLISH

Stainless Steel High Deflection Motor Mount



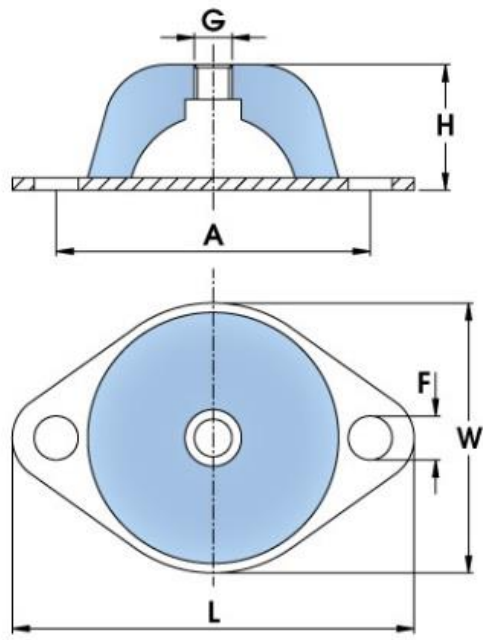
High Deflection Motor Mounts are ideal for applications that require high deflection under low loads while operating under low frequencies. Flexible in all directions, this mount is also an ideal product for shock applications by deflecting and returning to its original shape.

Features:

- Achieves high isolation values (both active and passive) of low frequency vibration
- Attenuates shock loads due to its deflection capacity.
- Available in stainless steel metal for food & mining industry applications

Applications:

- Fans
- Pumps
- Stationary generator sets
- Vibrating screens
- Bulk bin load and discharge units
- Computers, security cameras



RS Code	H	L	W	G	A	F (dia.)	Shape	Metal Type	Max Load (kg)	Deflection (mm)
1712644	40	136	96	M10	110	11.5	Oval	Stainless Steel	130	11
1712643	25	85	56	M10	66	8	Oval	Stainless Steel	40	4
1712642	20	64	43	M6	50	7	Oval	Stainless Steel	9	3.5