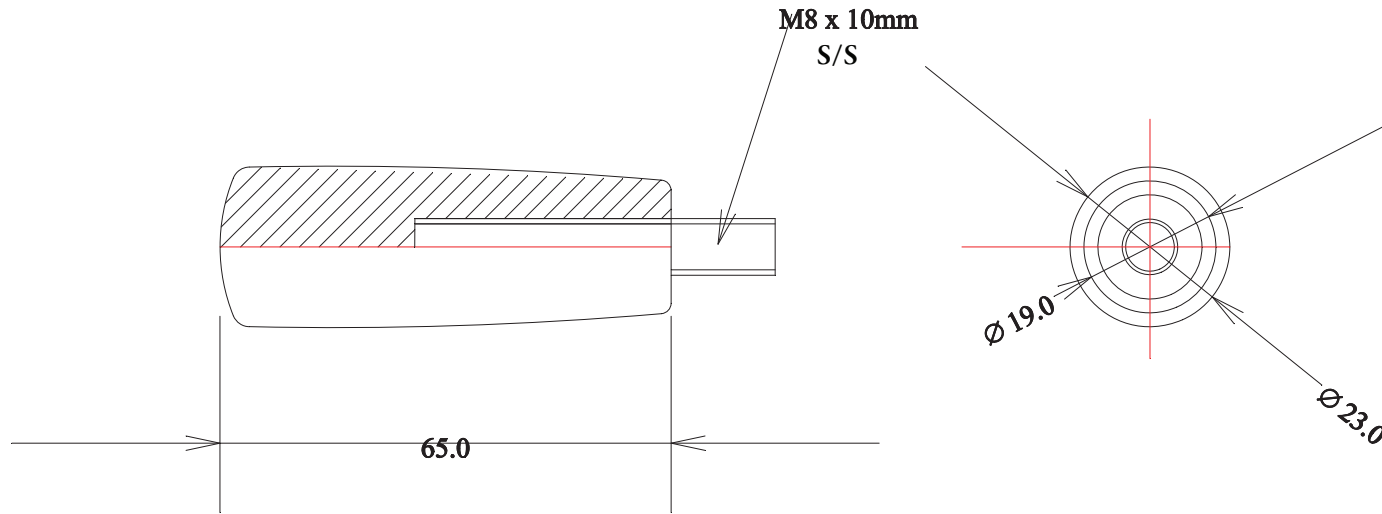




RevNo	Revision note	Date	Signature	Checked
-------	---------------	------	-----------	---------

A  
B  
C  
D  
E  
F

A  
B  
C  
D  
E  
F



Itemref	Quantity	Title	Taper Handle - Nylon REV.2		Article No./Reference	
Designed by	Checked by	Approved by - date	Filename	Date	Scale	
				06/04/10		
				<b>RS 702774</b>		
				Edition	Sheet	
				1	1/1	

1 2 3 4 5 6 7 8