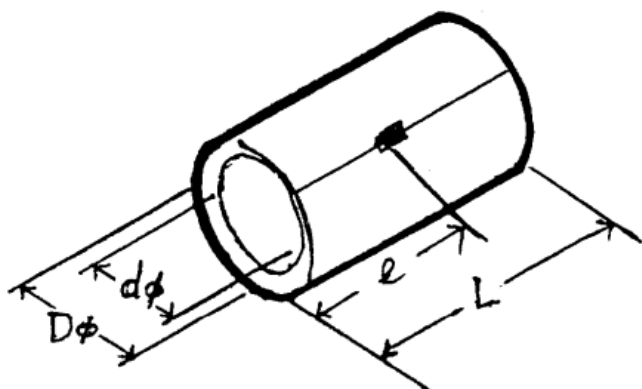


# Datasheet

## Uninsulated Butt Terminal

RS Stock number [433-078](#)



### Dimensions (mm):

| $d\phi$ | $D\phi$ | $L$  | $e$ |
|---------|---------|------|-----|
| 1.6     | 3.3     | 15.3 | 7.8 |

**Note:** Tolerance of dimension  $\pm 0.2\text{mm}$

Finish: 3 – 5 tin plating

Material: Copper