

# Digital Voltage Monitoring Relays **multicomp** PRO

## Features

- LCD Display with Green backlight
- True RMS Measurement @ 2kHz sampling rate
- Protection against Phase loss, Phase Sequence, Phase Asymmetry, Under Voltage, Over Voltage, Neutral fault, Over Frequency & Under Frequency
- Can be configured for 3-Phase 3-Wire or 3-Phase 4-Wire supplies, 145-500V AC (DMA220 50-500VAC)
- Selectable Over Voltage/ Under Voltage, Asymmetry, Phase Loss, Phase Sequence, Over Frequency Under Frequency & Neutral Fault monitoring
- Adjustable Start (ON) and Trip (OFF) Time Delay in seconds/minutes
- 5A Single and Dual relay outputs
- Two Separate Relay outputs with independent Programming
- Password protection
- Log of 5 previous faults for better monitoring
- Fail safe/Non-Fail safe relay configuration
- Latch (Manual-reset) and Non-Latch (Auto-reset) alarm modes

**RoHS  
Compliant**

## Specification

| Part Number              |   | MP008394   | MP008395                        | MP008396                         |
|--------------------------|---|--|---------------------------------|----------------------------------|
| Parameters               |   |  |                                 |                                  |
| Supply Voltage           |   | 145 - 500V AC self-powered from monitored supply   |                                 | 85 - 300V AC/DC Auxiliary supply |
| Frequency                |   | 45Hz to 65Hz   |                                 |                                  |
| Trip Settings            | Phase Loss  | Configurable (Enable/Disable) (Default : Enable)   |                                 |                                  |
|                          | Phase Reverse   | Configurable (Enable/Disable) (Default : Enable)   |                                 |                                  |
|                          | Phase Asymmetry   | 2 to 50%   |                                 |                                  |
|                          | Under Voltage   | 4-Wire Phase - Neutral : 90 to 288V AC   | Phase - Neutral : 50 to 288V AC |                                  |
|                          |   | 3-Wire Phase - Phase : 155 to 500V AC  | Phase - Phase : 85 to 500V AC   |                                  |
|                          | Under Voltage Hysteresis  | 3 to 20V AC +/- 2V (7V Default)  |                                 |                                  |
|                          | Over Voltage  | 4-Wire Phase - Neutral : 90 to 288V AC   | Phase - Neutral : 50 to 288V AC |                                  |
|                          |   | 3-Wire Phase - Phase : 155 to 500V AC  | Phase - Phase : 85 to 500V AC   |                                  |
|                          | Over Voltage Hysteresis   | 3 to 20V AC +/- 2V (7V Default)  |                                 |                                  |
|                          | Under Frequency   | 45Hz to 65Hz   |                                 |                                  |
|                          | Over Frequency  | 45Hz to 65Hz   |                                 |                                  |
|                          | Frequency Hysteresis  | 0.1Hz to 5Hz   |                                 |                                  |
|                          | Asymmetry   | Voltage : 5 to 99V AC (Default 60V) Percentage : 2 to 50%  |                                 |                                  |
| Hysteresis for Asymmetry | Voltage : 3 to 99V AC +/- 2V (Default 7V) Percentage : 2 to 15% |  |                                 |                                  |
| Power Consumption (Max.) |   | 5 VA   |                                 |                                  |
| Time Delay               | ON Delay  | 2sec to 999sec (Default : 5sec)  |                                 |                                  |
|                          | Trip Time (OFF Delay)   | 0.1 to 999sec (Phase loss & Phase reverse : <100ms)<br>Default : Neutral Loss is <500ms & UV, OV, Asymmetry fault 5sec |                                 |                                  |

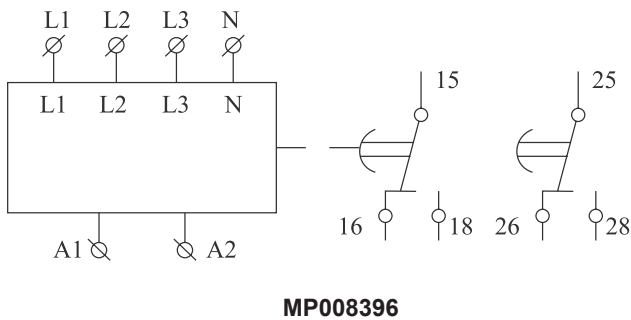
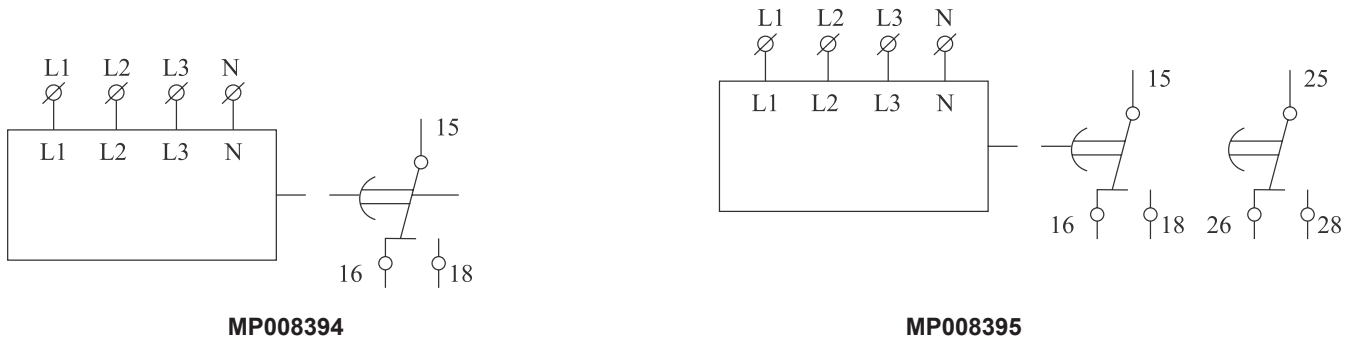
Newark.com/multicomp-pro  
Farnell.com/multicomp-pro  
sg.element14.com/b/multicomp-pro

**multicomp** PRO

# Digital Voltage Monitoring Relays **multicomp**PRO

|                           |                 |  |               |               |
|---------------------------|-----------------|--|---------------|---------------|
| Output                    | Relay Output    | 1 C/O  | 1 C/O + 1 C/O | 1 C/O + 1 C/O |
|                           | Contact Rating  | 5A (Resistive) @ 240V AC / 30V DC                                      |               |               |
|                           | Electrical Life | 1 x 10 <sup>5</sup>  |               |               |
|                           | Mechanical Life | 1 x 10 <sup>7</sup>  |               |               |
| Utilization Category      | AC - 15         | (V)  | 120/240 V     |               |
|                           |                 | (A)  | 3/1.5 A       |               |
|                           | DC - 13         | (V)  | 24/125/250 V  |               |
|                           |                 | (A)  | 2/0.22/0.1 A  |               |
| Operating Temperature     |                 | - 10°C to +60°C  |               |               |
| Storage Temperature       |                 | - 20°C to +70°C  |               |               |
| Humidity (Non Condensing) |                 | 95% (Rh)   |               |               |
| Enclosure                 |                 | Flame Retardant UL94-V0  |               |               |
| Dimension (W x H x D)     |                 | 36mm x 90mm x 67mm   |               |               |
| Weight (unpacked)         |                 | 100 g  |               |               |
| Mounting                  |                 | Base / DIN   |               |               |
| Degree of Protection      |                 | IP-20 for Enclosure & Terminals, IP-40 with Front Facia for Dust cover |               |               |

## Connection Diagram

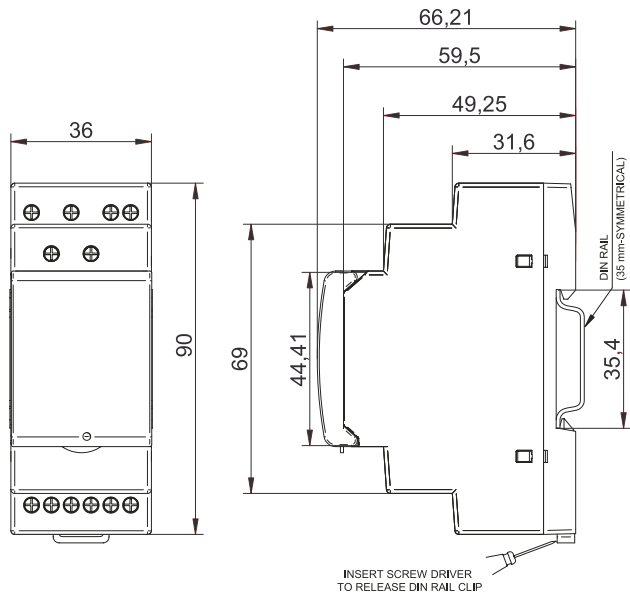


Newark.com/multicomp-pro  
 Farnell.com/multicomp-pro  
 sg.element14.com/b/multicomp-pro

**multicomp**PRO



# Digital Voltage Monitoring Relays **multicomp** PRO

## Mounting Dimension



Dimensions : Millimetres

## Terminal Torque & Capacity

|  |                                  |
|--|----------------------------------|
| <br>Ø 4.5mm | 0.5 N.m (4.4 lb.in)              |
|             | 1 x 4mm<br>Solid / Standard Wire |
| AWG  | 26 to 10                         |

## Part Number Table

| Description  | Part Number |
|--|-------------|
| Digital Voltage Monitoring Relay, 145-500V AC                      | MP008394    |
| Digital Voltage Monitoring Relay, 145-500V AC                      | MP008395    |
| Digital Voltage Monitoring Relay with auxiliary supply, 50-500V AC | MP008396    |

**Important Notice :** This data sheet and its contents (the "Information") belong to the members of the AVNET group of companies (the "Group") or are licensed to it. No licence is granted for the use of it other than for information purposes in connection with the products to which it relates. No licence of any intellectual property rights is granted. The Information is subject to change without notice and replaces all data sheets previously supplied. The Information supplied is believed to be accurate but the Group assumes no responsibility for its accuracy or completeness, any error in or omission from it or for any use made of it. Users of this data sheet should check for themselves the Information and the suitability of the products for their purpose and not make any assumptions based on information included or omitted. Liability for loss or damage resulting from any reliance on the Information or use of it (including liability resulting from negligence or where the Group was aware of the possibility of such loss or damage arising) is excluded. This will not operate to limit or restrict the Group's liability for death or personal injury resulting from its negligence. Multicomp Pro is the registered trademark of Premier Farnell Limited 2019.

Newark.com/multicomp-pro  
Farnell.com/multicomp-pro  
sg.element14.com/b/multicomp-pro

**multicomp** PRO