

Crocodile Clip



FEATURES

- Heavy Duty Clip
- Crimp or Screw Connection

RS PRO Electric Crocodile Clip

RS Stock No.: 2081131, 2081132, 2081127, 2081128, 2081129



RS Professionally Approved Products bring to you professional quality parts across all product categories. Our product range has been tested by engineers and provides a comparable quality to the leading brands without paying a premium price.

Product Description

Crocodile Clip



- Crocodile Clips for 4A
- Alligator clips with screw and crimp terminations, are ideal for testing connection purposes.

General Specifications

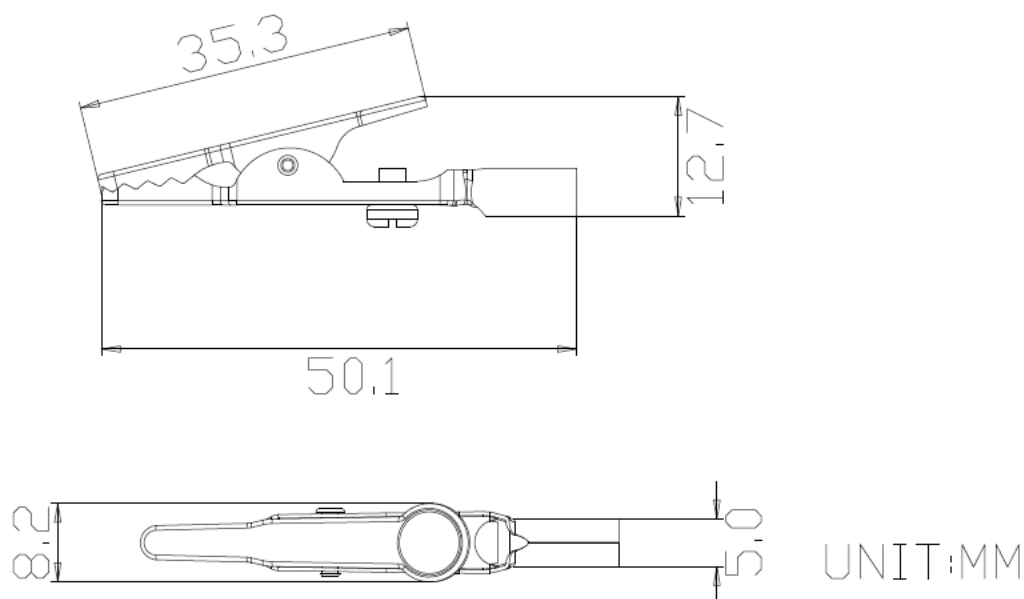
Material	Steel
Contact Material	Nickel Plated
Rating	4A
Insulated	No

Product range

Stock No.	Brand	Product Name	Rating	Jaw opening
2081129	RS PRO	Electric crocodile clip	4A	9.0mm
2081128	RS PRO	Electric crocodile clip	4A	9.0mm
2081127	RS PRO	Electric crocodile clip	4A	9.0mm
2081132	RS PRO	Electric crocodile clip	4A	9.0mm
2081131	RS PRO	Electric crocodile clip	4A	9.0mm

Drawing:

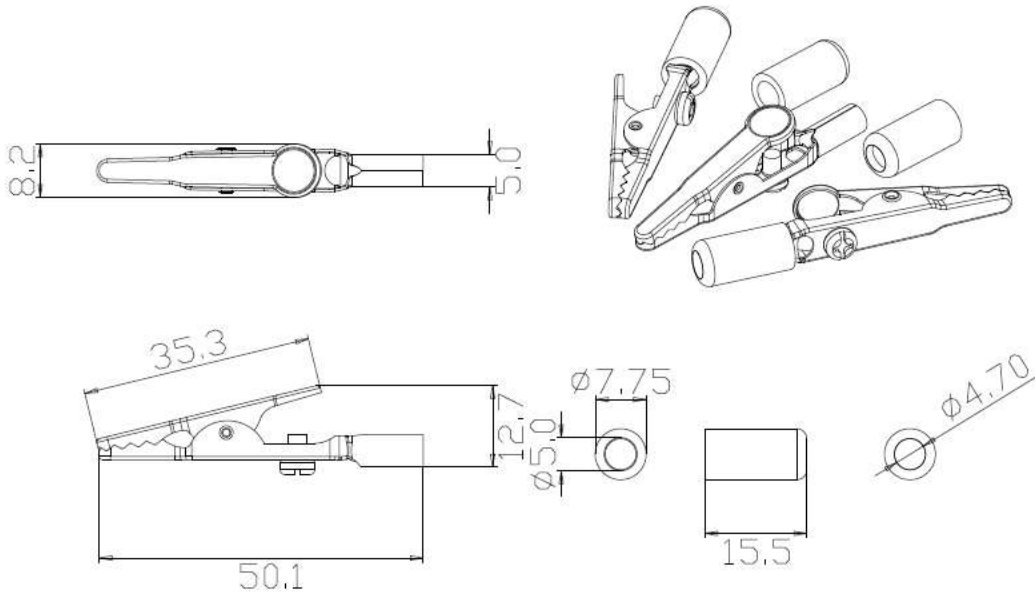
2081132



Crocodile Clip

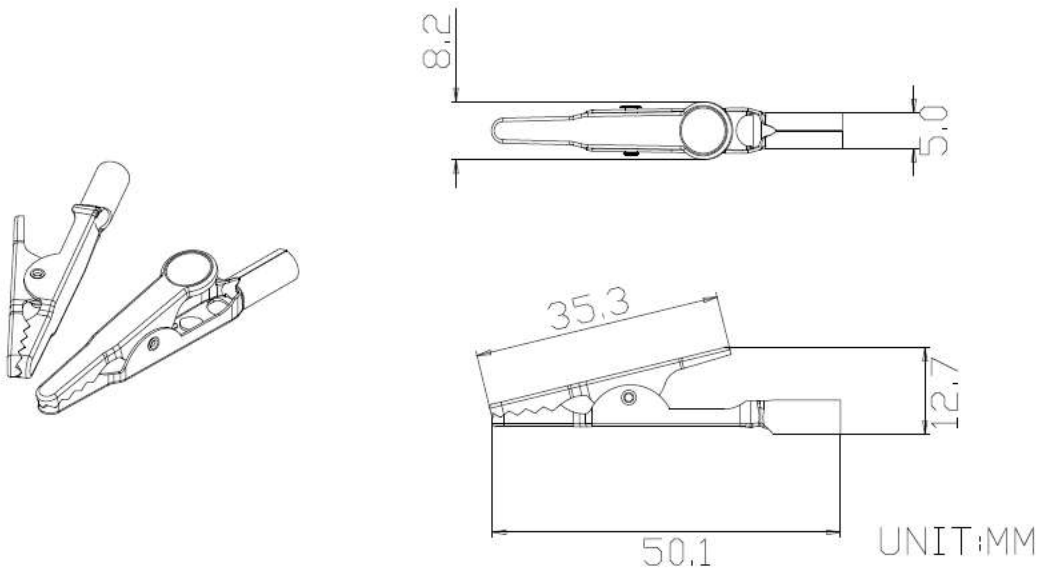


2081131 AND 2081129



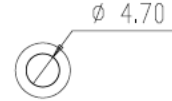
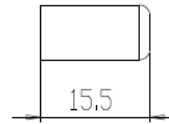
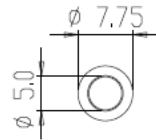
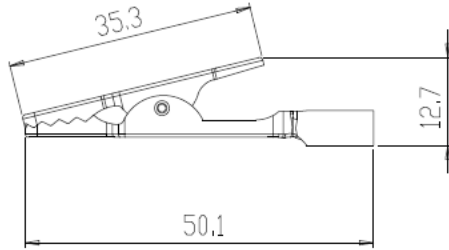
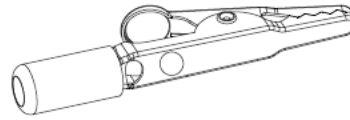
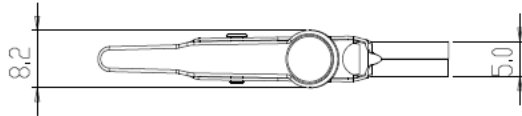
CLIP: STEEL, NICKEL PLATED
BOOT: ABS, RED/BLACK
UNIT: MM

2081127



2081128

Crocodile Clip



UNIT:MM

MATERIALS:
CLIP:STEEL, NICKEL PLATED
BOOT:ABS,RED

Connection Diagrams / Assembly Diagrams / Illustrations / Accessories