

## Features

- Actuation 3 Position  
-45° to 45° (left and right)
- Spring return operation
- 22mm panel cut out
- Contact block row clip included
- Mechanical life more than 1 million uses
- Mounting Type  
Panel Mounted
- Plastic body material
- IP65 rated
- Stackable design for contact blocks (max 6)

## RS PRO 22mm Selector Switch Head

RS Stock No.: 188-1152



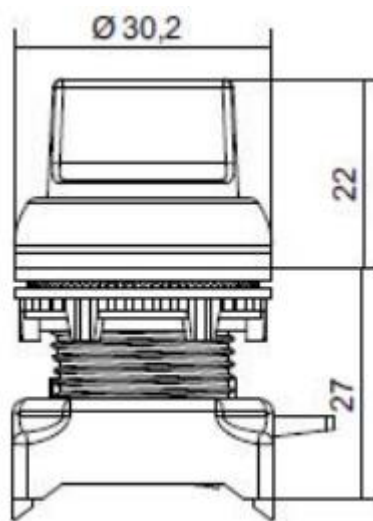
RS PRO Professionally Approved Products bring to you professional quality parts across all product categories. Our product range has been tested by engineers and provides a comparable quality to the leading brands without paying a premium price.

## Product Description

The RS PRO 22mm Selector Switch Head in 2 and 3 position versions for use with the RS pro modular plastic push button series. Robust design with modern aesthetics delivered via silver coloured bezel. Simple installation via standard lock nut.

## General Specifications

Colour	Black / Silver
Actuation	3 Position Return (-45° ~ 45°)
Illuminated	No
Cut out Diameter	22.5mm
Style	Round
IP Rating	IP65
Shape	Round
Mounting Type	Panel Mounted
Body Material	Plastic



Stock Number:	188-1146	188-1148	188-1151	188-1152
Colour	Black / Silver	Black / Silver	Black / Silver	Black / Silver