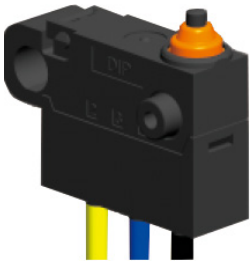


Panel Mount Snap Action Microswitches **multicomp** PRO

**RoHS
Compliant**



Features

- Sealed IP67
- Switch with connectorized lead
- 14.7mm × 5.4mm × 12mm

Applications

- Automobile industry
- Consumer electronics

Specifications

Contact Rating

MP000807 : 0.1A at 48V DC
0.1A at 125V AC, 250V AC

MP000808 : 3A at 12V DC
3A at 125V AC, 250V AC

Mechanical Durability : 500,000 cycles Min.

Electrical Durability : 100,000 cycles Min.

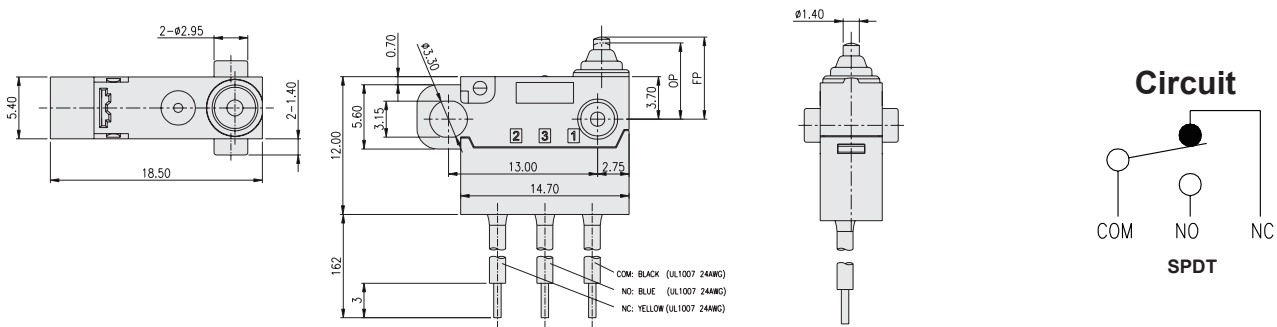
Contact Resistance : 150mΩ max.

Insulation Resistance : 100MΩ min. (at 500V DC)

Dielectric Strength : Between terminals of the same polarity 600V AC (50Hz or 60Hz) shall be applied across terminals for 1 minute
Between each terminal and ground: 1500V AC (50Hz or 60Hz) shall be applied across terminals for 1 minute
Between each terminal and non-current-carrying metal parts 1500V AC (50Hz or 60Hz) shall be applied across terminals for 1 minute

Operating Temperature : -40°C to +85°C

Diagram



Operating Characteristics

Operating Force : 1.3N (130gf) Max.

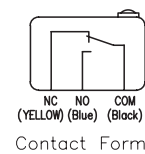
Release Force : 0.13N (13gf) Min.

Free Position : 7.35mm Max.

Over Travel : 0.8mm

Movement Differential : 0.2mm Max.

Operating Position : 6.4mm to 6.95mm



Dimensions : Millimetres

Newark.com/multicomp-pro
Farnell.com/multicomp-pro
Element14.com/multicomp-pro

multicomp PRO

Part Number Table

Description	Part Number
Microswitch, Pin Plunger, 100mA, 48V DC / 250V AC, SPDT, Wire Lead	MP000807
Microswitch, Pin Plunger, 3A, 12V DC / 250V AC, SPDT, Wire Lead	MP000808

Important Notice : This data sheet and its contents (the "Information") belong to the members of the AVNET group of companies (the "Group") or are licensed to it. No licence is granted for the use of it other than for information purposes in connection with the products to which it relates. No licence of any intellectual property rights is granted. The Information is subject to change without notice and replaces all data sheets previously supplied. The Information supplied is believed to be accurate but the Group assumes no responsibility for its accuracy or completeness, any error in or omission from it or for any use made of it. Users of this data sheet should check for themselves the Information and the suitability of the products for their purpose and not make any assumptions based on information included or omitted. Liability for loss or damage resulting from any reliance on the Information or use of it (including liability resulting from negligence or where the Group was aware of the possibility of such loss or damage arising) is excluded. This will not operate to limit or restrict the Group's liability for death or personal injury resulting from its negligence. Multicomp Pro is the registered trademark of Premier Farnell Limited 2019.