

Datasheet

# Worm Drive Thumb Screw with PVC Hose Clip

RS Stock No: 145-0295



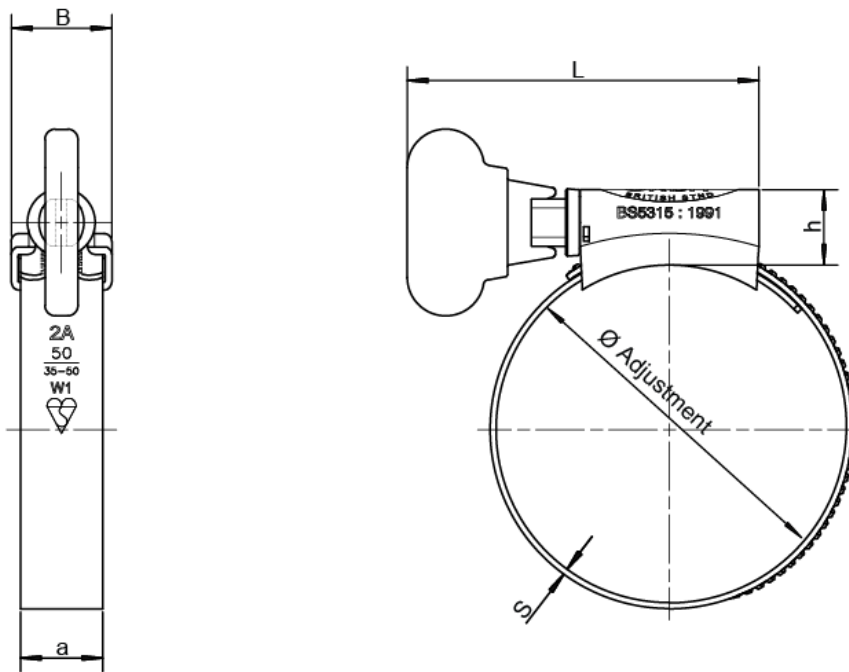
## Specification:

Material: Mild Steel

Plating: Zinc Plated

RoHS Complaint

## Drawing:



| Stock no | BS Size | Range    |               | L max | S±0.05 | h max | a Band Width | b max | Torque Nm |     |
|----------|---------|----------|---------------|-------|--------|-------|--------------|-------|-----------|-----|
|          |         | mm       | in            |       |        |       |              |       |           |     |
| 1450287  | 12      | 9.5 – 12 | 3/8 - 1/2     | 19.5  | 0.95   | 10.0  | 9.5          | 12.3  | 4.5       |     |
| 1450288  | 16      | 11 – 16  | 1/2 - 5/8     |       |        |       |              |       |           |     |
| 1450289  | 20      | 13 – 20  | 1/2 - 3/4     |       |        |       |              |       |           |     |
| 1450290  | 22      | 16 – 22  | 5/8 - 7/8     | 25.0  |        | 11.5  | 12.0         | 14.7  | 5.6       |     |
| 1450291  | 25      | 18 – 25  | 3/4 - 1       |       |        |       |              |       |           |     |
| 1450292  | 30      | 22 – 30  | 7/8 - 1 1/8   |       |        |       |              |       |           |     |
| 1450293  | 35      | 25 – 35  | 1 - 1 3/8     |       |        |       |              |       |           |     |
| 1450294  | 40      | 30 – 40  | 1 1/8 - 1 5/8 |       |        |       |              |       |           |     |
| 1450295  | 50      | 35 – 50  | 1 3/8 - 2     | 33.0  |        |       |              |       |           | 7.9 |



## Product feature:

These hose clips are made from the finest cold rolled steel with a special surface treatment. They are manufactured and “BSI Kitemark™” certified according to British Standard 5315:1991.

The band is processed to erase any burrs from the edges and to increase strength ensuring a high destructive torque. The band thread is cold formed and results in smooth underside surface to optimize hose protection. It protects soft hoses from damage during installation, providing exterior hose wall protection. The housing is riveted for extra strength and provides smooth contact with the hose.