

## Datasheet

# RS PRO 1.5" self cleaning filter

Stock No: 195-2231



## Technical Specifications:

### Nominal pressure

Model	Operating pressure	Nominal nominal
FM-B	1,5 - 10 bar	PN 16

### Nominal flow rate

Model	Nominal flow rate after backwashing at $\Delta P=0,2$ bar
FM-B 3/4"	3.3 m <sup>3</sup> /h
FM-B 1"	4.5 m <sup>3</sup> /h
FM-B 1 1/4"	5.5 m <sup>3</sup> /h
FM-B 1 1/2"	13 m <sup>3</sup> /h
FM-B 2"	17 m <sup>3</sup> /h

### Backflush volume stream

Model	Backflush volume stream
FM-B 3/4"	0.3 l/s
FM-B 1"	0.3 l/s
FM-B 1 1/4"	0.3 l/s
FM-B 1 1/2"	0.3 l/s
FM-B 2"	0.3 l/s

## Features & Benefits:

- Self cleaning filter
- 100 micron filter
- 13 m3 per hour
- No need to replace the cartridge
- Handwheel for free discharge
- Stainless steel mesh filter
- Built-in rotary flange

## Installation line drawings

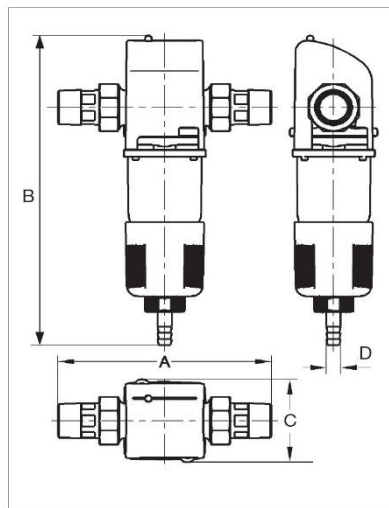


Fig. 6: Installation dimensions FM-B ¼" - 2"

Model	A	B	C	D
FM-B ¼"	180	300	80	13
FM-B 1"	195	300	80	13
FM-B 1¼"	230	300	80	13
FM-B 1½"	305	300	80	13
FM-B 2"	335	300	80	13

All dimensions in [mm] (see fig. 6)

A = installation length

B = unit length

C = unit deep

D = connection dimension waste water

# General – component parts

## 2. Intended use

The installation and operation of the filter is subject to the following country-specific regulations.

In addition to the operating instructions and the obliging regulations concerning accident prevention that exist in the country of operation and the location of use, the established technical regulations concerning safe and professional work, should also be observed.

**The water which is to be treated should fulfil the requirements stipulated by European drinking water directives!**

It is absolutely essential that the manufacturer / supplier will be consulted prior to any operation of the device using water of a different quality, respectively with water that contains additives.

This filter is suitable for use in cold drinking water up to a maximum ambient temperature of 30 °C (86 °F).

The filter has been developed and manufactured using state of the art technology and the established safety regulations in Germany.

The filter may only be operated in accordance with the manufacturer's specifications. Any other operation or operation beyond the specified use, is not in accordance with the manufacturer's specifications.

Additional dangers may result in the event of the device not being operated in accordance with the manufacturer's specifications and non-observance of the danger symbols or safety instructions. The manufacturer / supplier cannot be made liable for any damages caused by these additional dangers. The operator is responsible for these risks.

The use of the device in accordance with the customer's specifications includes the

observance of the operating instructions. The manufacturer/supplier should be consulted prior to any operation of the filter other than in the operational areas stated in these operating instructions.

The filter may only be operated in a technically faultless condition, in accordance with the manufacturer's specifications and the stated safety and danger relevant instructions and under observance of the operating instructions!

**Have any malfunctions corrected immediately!**

## 2.1 Water pressure

The water pressure should be between 1.5 bar and 10 bar.

The water pressure must not exceed 1.5 bar as otherwise the backwashing can be impaired! If the filter is not backwashed regularly a pressure loss can result and this can



impair the filter function. (see chapter "Safety information and dangers due to non-compliance")

In the event of **water pressure above 10 bar**, the pressure reduction valve should be fitted in front of the filter (see fig. 2). If the operating pressure is above 10 bar, this may result in defects during operation.

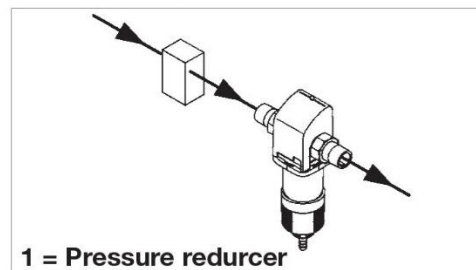


Fig. 2: Pressure reducer upstream of the unit