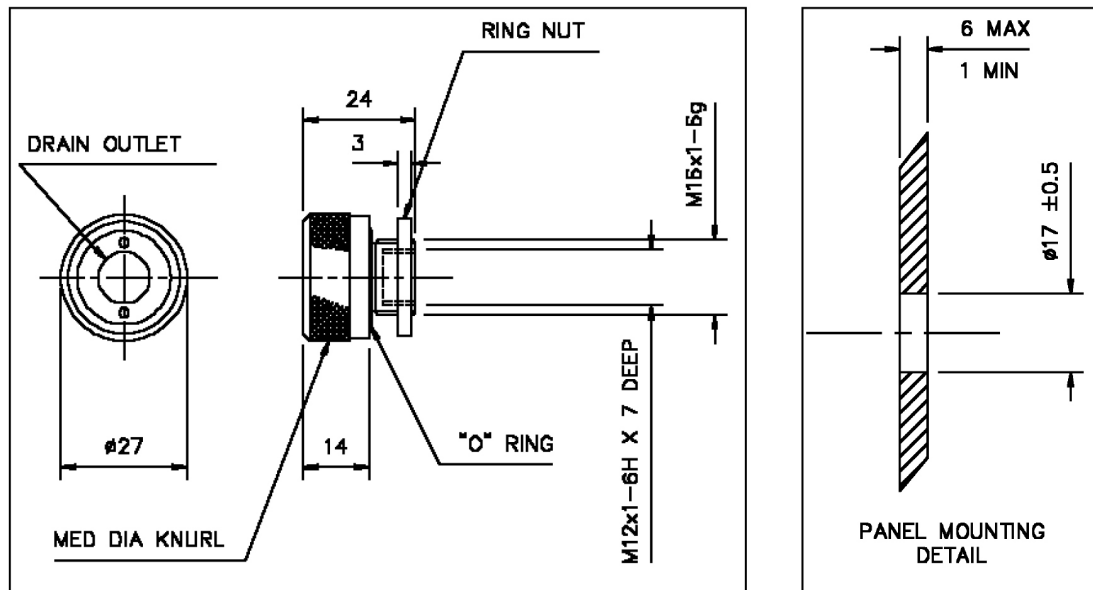


Datasheet

Immersion proof breather



DESCRIPTION:

An immersion proof breather which prevents pressure or vacuum build up in instruments or equipments subject to water spray or immersion.

APPLICATIONS:

Ideally suited to equipments or instruments subjected to temperature, altitude or barometric changes. The Immersion Proof Breather protects against distortion or other damage that would normally occur due to such changes.

PART NUMBER: BL/D6343

MATERIAL: Plastic (Polycarbonate)

COLOUR: Black

OPERATING TEMPERATURE:

Maximum + 75°C Minimum - 40°C

ENVIRONMENTAL PROTECTION: Resistant to Alcohols, Ethers, Hydrocarbons, weak acids and bases.

TECHNICAL PERFORMANCES

FLOW RATES: 10cc/min @ 3.5mm wg
 50cc/min @ 11.0mm wg
 100cc/min @ 18.5mm wg
 150cc/min @ 29.0mmwg

MAXIMUM APPLICATION VOLUME: (Typical) 60 Litres (based on 20°C change)

TIGHTENING TOURQUE: 2Nm

PACKAGING: Standard trade pack in clear polythene bag.

MAXIMUM IMMERSION DEPTH: 1 metre for 12 hours.

FILTRATION: Protection against dust (5µm nominal).