

FEATURES

- PBT Thermoplastic casing
- Square orientation
- Can be mounted in a horizontal and vertical position
- Low noise levels
- Smooth and efficient air flow

RS PRO, 12 V dc, DC Axial Fan, 30 x 30 x 10mm, 6.8m³/h, 840mW, IP55

RS Stock No.: 144-2035



RS Professionally Approved Products bring to you professional quality parts across all product categories. Our product range has been tested by engineers and provides a comparable quality to the leading brands without paying a premium price.

Product Description

Brought to you by RS Pro, these axial fans are a perfect choice for cooling applications. With a fully integrated electronic commutation, this axial fan provides a durable and smooth airflow to the device it is cooling. Establishing the relevant axial fan needed, the RS Pro series of DC Brushless fans are designed to be up there with the best. All models are highly reliable and excellent quality.

General Specifications

Air Flow	6.8m ³ /h
Fan Speed	9000rpm
Static Pressure	0.17in/H ₂ O max.
Noise Level	27dB
Direction of Curve	Forward
Frame	PBT Plastic
Impeller	UL94-0 Plastic
Alarm Function	No
Special Features	Dual Ball Bearing; Tachometer
Applications	Server racks, Electrical cabinets and enclosures; Production Lines, Ceiling fan/ventilation Desktop computers, Motor engines (radiator in a car), Generators, Air compressors

Electrical Specifications

Motor	Brushless DC, Auto Restart, Polarity Protected
AC or DC Operation	DC
Power Consumption	840mW
Supply Voltage	12VDC
Maximum Current	90mA
Dielectric Strength	1 second at 500VAC max leakage 500 micro amp.
Insulation Resistance	Min. 10M at 500VDC

Mechanical Specifications

Dimensions	30mm x 30mm x10.2mm
Height	30mm
Width	30mm
Depth	10.2mm
Bearing Type	Ball
Weight	8g
Life Expectancy	60,000 hours (L10 at 40°C)

Operation Environment Specifications

Operating Temperature	-20°C to 75°C
Storage Temperature	-45°C to 80°C

Protection Category

IP Rating	IP55
------------------	------

Approvals

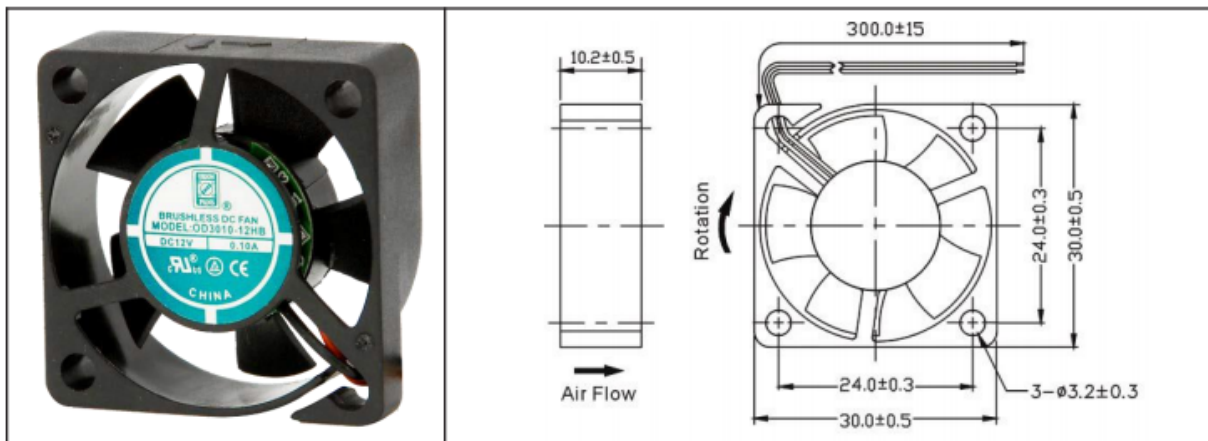
Compliance/Certifications

RoHS Certificate Of Compliance



Model#	Pg#	Voltage	RPM	CFM	Noise Level	Max Static Pressure
OD3010-05H	2	5 VDC	10000	4.6	31 dB	.20 H ₂ O
OD3010-12H	2	12 VDC	10000	4.6	31 dB	.20 H ₂ O
OD3010-12M	2	12 VDC	9000	4.0	27 dB	.17 H ₂ O
OD3010-12L	2	12 VDC	7000	3.5	25 dB	.11 H ₂ O
OD3010-05MB	3	5 VDC	9000	4.0	30 dB	.17 H ₂ O
OD3010-05MB02A	4	5 VDC	9000	4.0	30 dB	.17 H ₂ O
OD3010-12MB02A	5	12 VDC	9000	4.0	27 dB	.17 H ₂ O

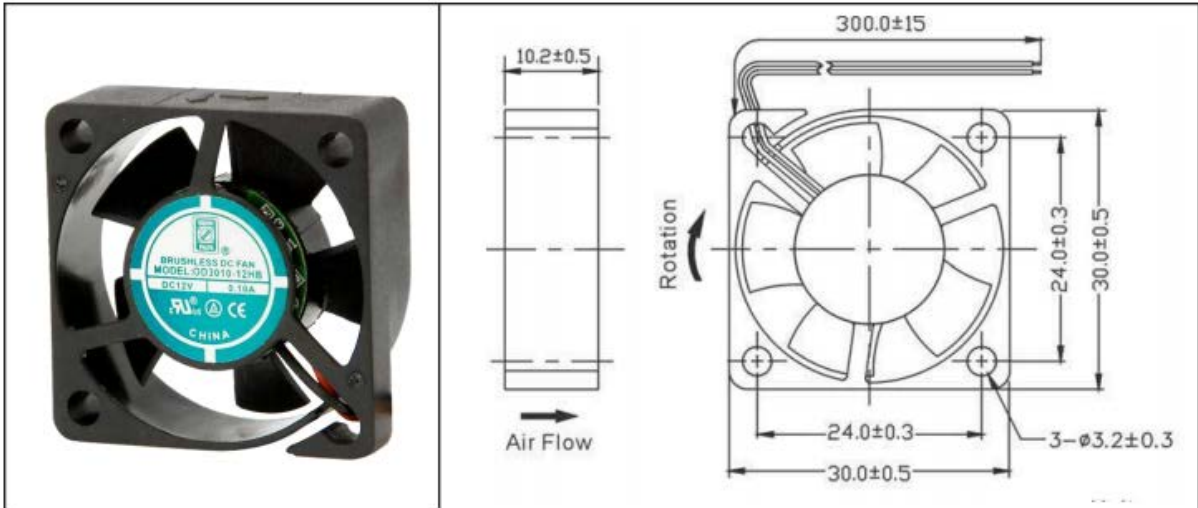
** For some models and part numbers, minimum order quantities may apply.



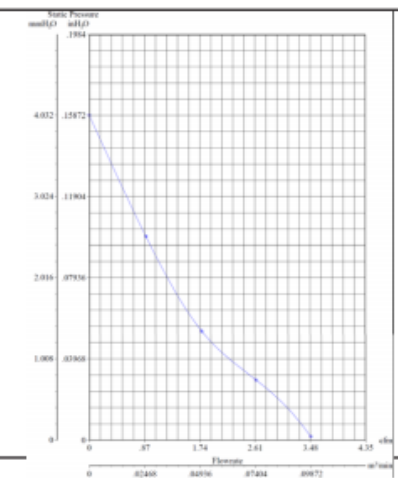
Frame & Impeller	PBT, UL94V-O plastic	Available Options: Tachometer Alarm	
Connection	2x Lead wires 28AWG		
Motor	Brushless DC, auto restart, impedance and polarity protected	Life Expectancy (L10) Ball - 60,000 hrs (45C) Sleeve - 30,000 hrs (45C)	
Bearing System	Ball bearing or Sleeve	Operating Temperature Ball: -20 ~ 75C Sleeve: -10 ~ 60C	
Insulation Resistance	10M ohm between leadwire and frame (500VDC)	Weight: ~ 0.02 lbs	
Dielectric Strength	1 second at 500 VAC, max leakage - 500 MicroAmp	m4	
Storage Temperature	-40C ~ +80C		

Model Number	Speed (RPM)	Airflow (CFM)	Noise (dB)	Volts DC	Voltage Range (VDC)	Amps	Max. Static Pressure (H ₂ O)
OD3010-05H *	10000	4.6	31	05	4.5~5.5	0.17	0.20
OD3010-12H *	10000	4.6	31	12	9~13.2	0.10	0.20
OD3010-12M *	9000	4.0	27	12	9~13.2	0.09	0.17
OD3010-12L *	7000	3.0	20	12	9~13.2	0.06	0.11

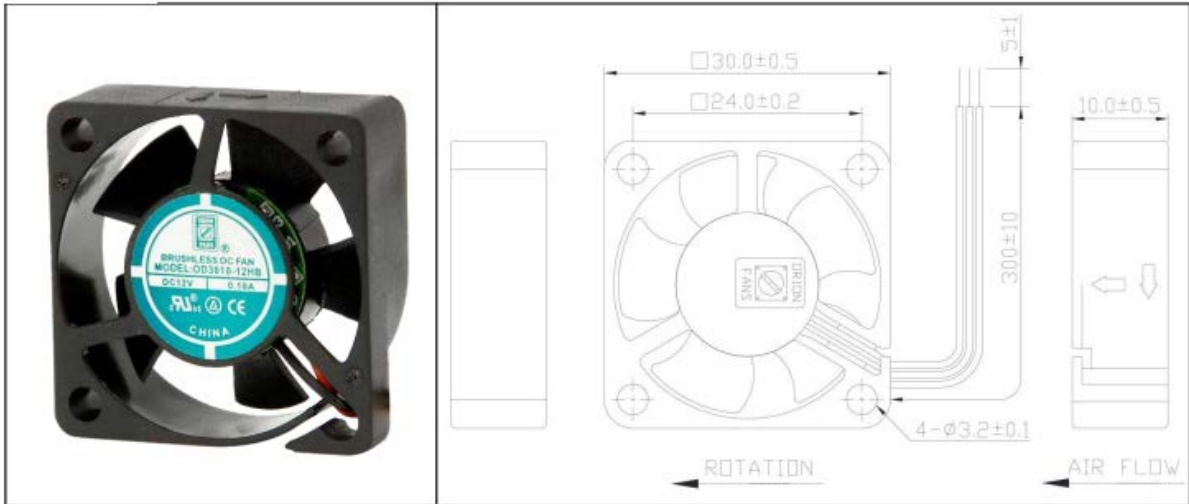
* Indicate "B" for ball bearing or "S" for sleeve bearing



Frame & Impeller	PBT, UL94V-0 plastic	Available Options IP55 Other speeds and voltages Tachometer Alarm
Connection	2x Lead wires *	
Motor	Brushless DC, auto restart, polarity protected.	*Connection: Wire Leads - UL1007 28AWG Red(+), Black (-)
Bearing System	Dual ball bearing	
Insulation Resistance	Min. 10M at 500VDC	Weight: 8 g
Dielectric Strength	1 second at 500VAC max leakage 500 microamp	
Temperature Range	-20C ~ +75C	
Storage Temperature	-40C ~ +80C	
Life (L10)	60,000 hours (40C)	

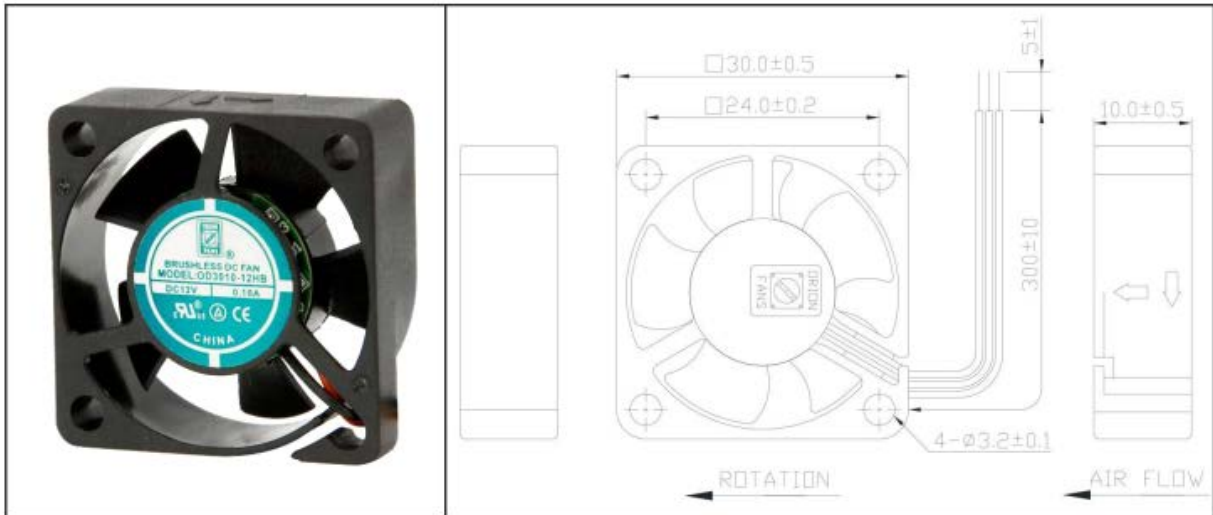


Model Number	OD3010-05MB
Part Number	130531001
Nominal Voltage	5 VDC
Voltage Range	4.5 ~ 5.5 VDC
Nominal Current	.08 A
Rated Power	.40 Watts
Rated Speed (RPM)	9000
Airflow (CFM)	4.0
Noise Level (dB)	30
Max. Static Pressure	.17 "H ₂ O

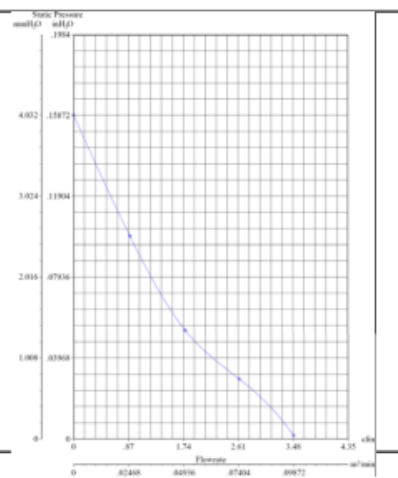


Frame & Impeller	PBT, UL94V-0 plastic	Available Options IP55 Other speeds and voltages Tachometer *Connection: Wire Leads - UL1007 28AWG Red(+), Black (-) Alarm Yellow Weight: 8 g	
Connection	3x Lead wires *		
Motor	Brushless DC, auto restart, polarity protected.		
Bearing System	Dual ball bearing		
Insulation Resistance	Min. 10M at 500VDC		
Dielectric Strength	1 second at 500VAC max leakage 500 microamp		
Temperature Range	-20C ~ +75C		
Storage Temperature	-40C ~ +80C		
Life (L10)	60,000 hours (40C)		

Model Number	OD3010-12MB02A	Output of locked signal *Output type..... Open collector type *Electrical design suggestion: (External signal function design is decided by customer) *Transistor Q1 at "ON" position Collector current..... $I_c = 5mA$ Max Saturation Voltage..... $V_{ce} = 1.0V$ Max (Between Collector and Emitter at $I_c = 5mA$) *Transistor Q1 at "OFF" position Release Voltage..... $V_{ce} = 15V$ Max *Output waveforms
Part Number	130131231	
Nominal Voltage	12 VDC	
Voltage Range	9 ~ 13.2 VDC	
Nominal Current	.09 A	
Rated Power	.84 Watts	
Rated Speed (RPM)	9000	
Airflow (CFM)	4.0	
Noise Level (dB)	27	
Max. Static Pressure	.17 "H ₂ O	



Frame & Impeller	PBT, UL94V-0 plastic	Available Options IP55 Other speeds and voltages Tachometer *Connection: Wire Leads - UL1007 28AWG Red(+), Black (-) Alarm Yellow Weight: 8 g
Connection	3x Lead wires *	
Motor	Brushless DC, auto restart, polarity protected.	
Bearing System	Dual ball bearing	
Insulation Resistance	Min. 10M at 500VDC	
Dielectric Strength	1 second at 500VAC max leakage 500 microamp	
Temperature Range	-20C ~ +75C	
Storage Temperature	-40C ~ +80C	
Life (L10)	60,000 hours (40C)	



Model Number	OD3010-05MB02A
Part Number	130531231
Nominal Voltage	5 VDC
Voltage Range	4.5 ~ 5.5 VDC
Nominal Current	.08 A
Rated Power	.40 Watts
Rated Speed (RPM)	9000
Airflow (CFM)	4.0
Noise Level (dB)	30
Max. Static Pressure	.17 "H ₂ O

