

FLOAT AND THERMOSTATIC STEAM TRAPS FLT17 (DN1/2" to 1" ; DN15 to DN25)

DESCRIPTION

FLT 17 float and thermostatic (integral air vent) steam traps series are designed for all types of low and high pressure steam heating and process equipment.

Typical applications include unit heaters, heat exchangers, driers, jacketed vessels and all the applications where continuous drainage is essential.

Connections are female screwed or flanged for horizontal or vertical installation.



MAIN FEATURES

Modulating discharge.

Discharges condensate at steam temperature.

Unaffected by sudden or wide load and pressure changes.

Excellent air discharge (by thermostatic air vent).

OPTIONS:

- SLR – steam lock release
- Equalizing plug or vent connection
- Internal strainer

USE:

Saturated and superheated steam.

AVAILABLE

MODELS:

FLT17-4,5 , 10 and 14

SIZES:

DN 1/2" to DN1" – DN15 to DN25

CONNECTIONS:

Female screwed ISO7/1 Rp (BS21)

Flanged EN 1092-1/-2 PN16

INSTALLATION:

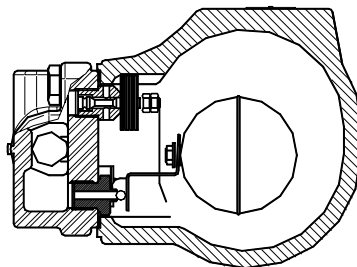
Standard horizontal installation –

From right to left FLT17 (R-L)

Upon request:

-horizontal installation with the flow from left to right (L-R)

-vertical installation with the flow from top to bottom (V)



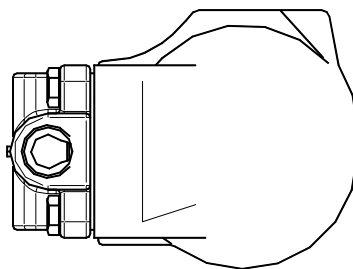
- PMA – Max.allowable pressure 16 bar
 - TMA – Max.allowable temperature 250 °C
 - PMO – Max.operating pressure 14 bar
 - TMO – Max.operating temperature 198 °C
- How to order:i.e. FLT17-14 DN 1" BSP

MAX. DIFFERENTIAL PRESSURE

FLT17-4,5 : 4,5 bar

FLT17-10 : 10 bar

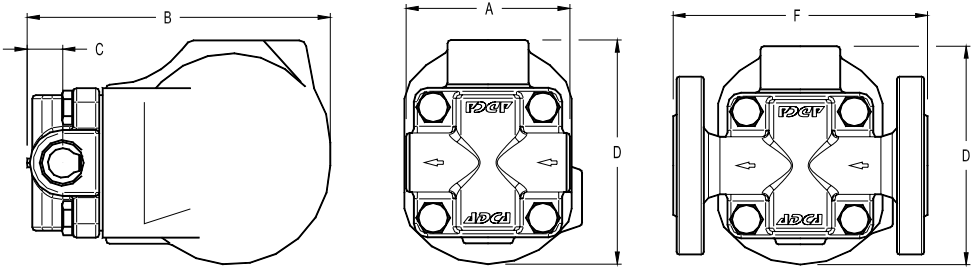
FLT17-14: 14 bar



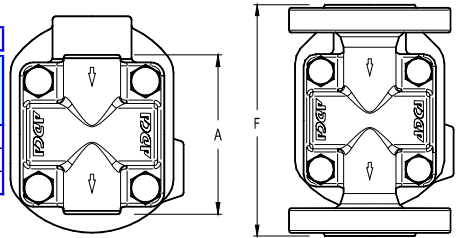
FLOW RATE CAPACITY IN Kgs/h

MODEL	SIZE	DIFFERENTIAL PRESSURE (bar)													
		0,5	1	1,5	2	3	4,5	6	7	8	9	10	12	14	
FLT17-4,5	15 - 25	230	330	400	440	535	630								
FLT17-10	15 - 25	150	200	250	280	340	400	460	495	520	550	595			
FLT17-14	15 - 25	120	150	190	220	260	320	380	400	425	440	480	510	550	

FLOAT AND THERMOSTATIC STEAM TRAPS FLT17 (DN1/2" to 1" ; DN15 to DN25)



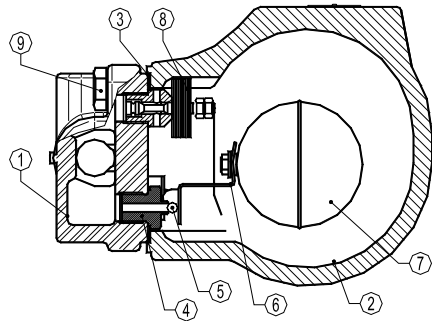
DIMENSIONS (mm)-Screwed						EN 1092-2 Flanges	
SIZE DN	A	B	C	D	WGT. Kgs	F	WGT. Kgs
15	95	178	23	128	5,2	150	6,7
20	95	178	23	128	5,2	150	7,2
25	95	178	23	128	5,2	160	7,7



Vertical Installation (V)

MATERIALS		
POS.Nr.	DESIGNATION	MATERIAL
1	Body	GJS-400-15 / 0.7040
2	Cover	GJS-400-15 / 0.7040
3	*Gasket	Stainless st. / Graphite
4	*Seat	AISI 410 / 1.4006
5	*Valve	AISI 440C / 1.4125
6	*Lever	AISI 304 / 1.4301
7	*Float	AISI 304 / 1.4301
8	*Air vent	Stainless st. (Bimetallic)
9	Bolts	Steel 8.8

*Available spare parts.



FLOAT AND THERMOSTATIC STEAM TRAPS FLT17 (DN 1"HC – DN 25HC)

DESCRIPTION

FLT 17 float and thermostatic (integral air vent) steam traps series are designed for all types of low and high pressure steam heating and process equipment.

Typical applications include unit heaters, heat exchangers, driers, jacketed vessels and all the applications where continuous drainage is essential.

Connections are female screwed or flanged for horizontal or vertical installation.

MAIN FEATURES

Modulating discharge.

Discharges condensate at steam temperature.

Unaffected by sudden or wide load and pressure changes.

Excellent air discharge (by thermostatic air vent).

OPTIONS:

SLR – steam lock release
Equalizing plug or vent connection
Internal strainer

USE:

Saturated and superheated steam.

AVAILABLE

MODELS:

FLT17-4,5 , 10 and 14

SIZES:

DN 1"HC – DN25HC

CONNECTIONS:

Female screwed ISO7/1 Rp (BS21)

Flanged EN 1092-2 PN16

INSTALLATION:

Standard horizontal installation –

From left to right FLT17 (L-R)

Upon request:

-horizontal installation with the flow from right to left (R-L)

-vertical installation with the flow from top to bottom (V)

PMA – Max.allowable pressure 16 bar

TMA – Max.allowable temperature 250 °C

PMO – Max.operating pressure 14 bar

TMO – Max.operating temperature 198 °C

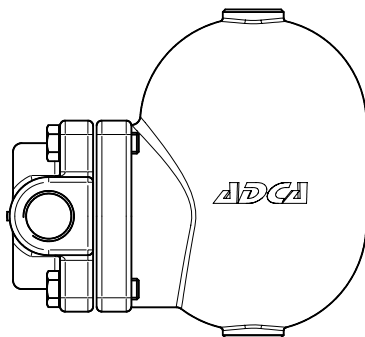
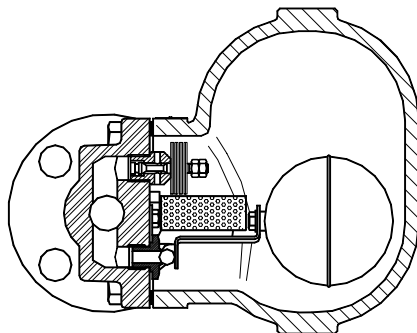
How to order:i.e.:FLT17-14DN1"HC BSP

MAX. DIFFERENTIAL PRESSURE

FLT17HC-4,5 : 4,5 bar

FLT17HC-10 : 10 bar

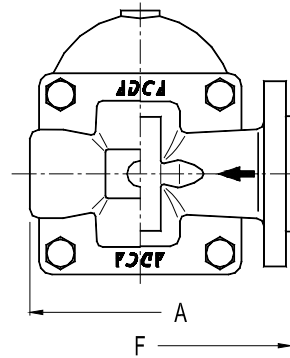
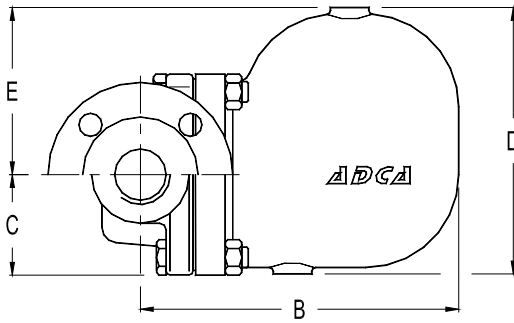
FLT17HC-14: 14 bar



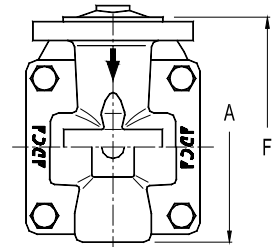
FLOW RATE CAPACITY IN Kgs/h

MODEL	SIZE	DIFFERENTIAL PRESSURE (bar)												
		0,5	1	1,5	2	3	4,5	6	7	8	9	10	12	14
		FLT17-4,5	1"-25HC	900	1250	1450	1700	2010	2400					
FLT17-10	1"-25HC	450	620	790	880	1100	1250	1500	1600	1700	1750	1800		
FLT17-14	1"-25HC	340	435	530	600	610	850	990	1100	1190	1240	1300	1350	1380

FLOAT AND THERMOSTATIC STEAM TRAPS FLT17 (DN 1"HC – DN 25HC)



DIMENSIONS (mm)-Screwed							EN 1092-2 Flanges		
SIZE DN	A	B	C	D	E	WGT. Kgs	F	B	WGT. Kgs
40	210	248	79	208	131	16,9	230	248	20,3
50	210	248	79	208	131	17,5	230	248	20,3



Vertical Installation (V)

MATERIALS		
POS.Nr.	DESIGNATION	MATERIAL
1	Body	GJS-400-15 / 0.7040
2	Cover	GJS-400-15 / 0.7040
3	*Gasket	Stainless st. / Graphite
4	*Seat	CF8 / 1.4308
5	*Valve	AISI 420 / 1.4021
6	*Lever	AISI 304 / 1.4301
7	*Float	AISI 304 / 1.4301
8	*Air vent	Stainless st. (Bimetallic)
9	Bolts	Steel 8.8

*Available spare parts.

