



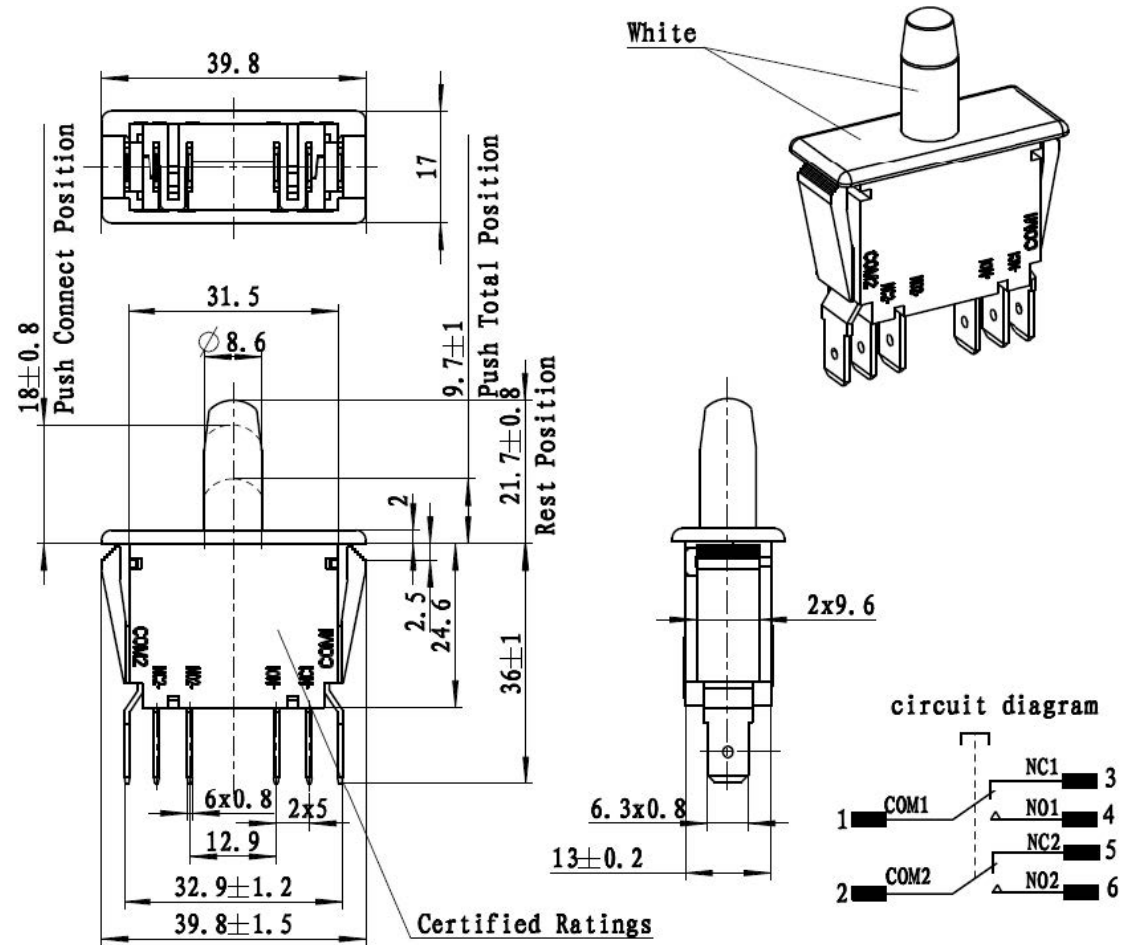
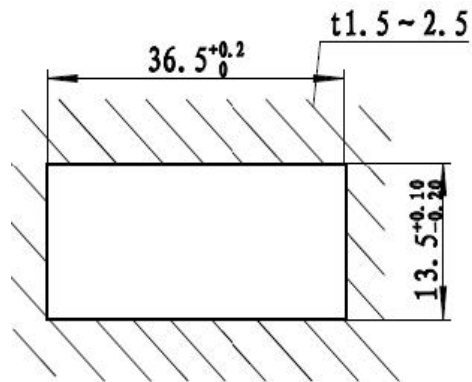
RS PRO DATA SHEET - Push Button Door Switch, DP, 6.3mm tabs

RS Stock Code: 1858230

Specifications

1858230

Electrical Rating	EN61058 10(6)A 250V - 5E4
	UL1054 16A/125V / 12A/250V 1HP 250V/125V
	T85 UL61058 10(4)A 277V - 5E4
Switching Action	DPDT on-(on)
Max Operating Force	5N



Tolerance Not Marked	Basic Dimension	0.5 - 3	>3 - 6	>6 - 30	>30 - 120	>120 - 400
		Tolerance	±0.1	±0.1	±0.2	±0.3
Round Angle Chamfer Angle	Tolerance	0.5 - 3	>3 - 6	>6 - 30	>30 - 120	>120 - 400
		±0.2	±0.5	±1	±1	±1
Angle (°)	Short Side Tolerance	<10	>10 - 50	>50 - 120	>120 - 400	
		±1°	±30'	±20'	±10'	