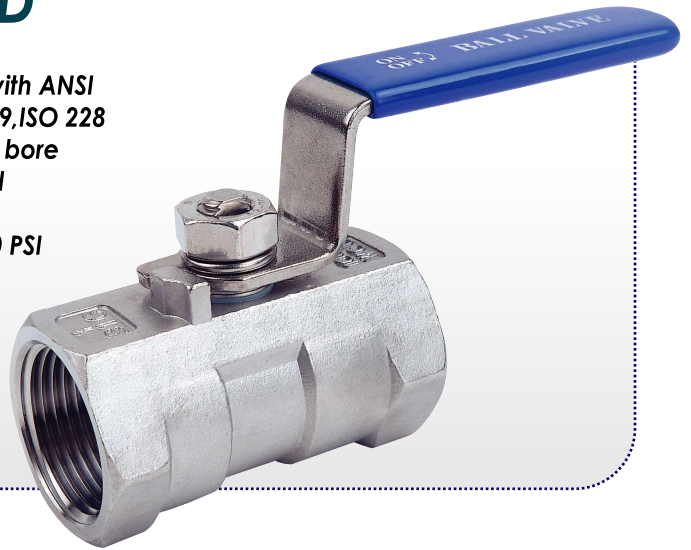


FM-103 TYPE

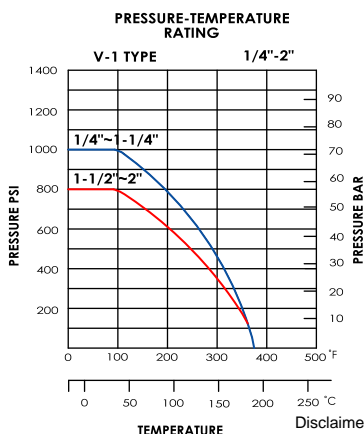
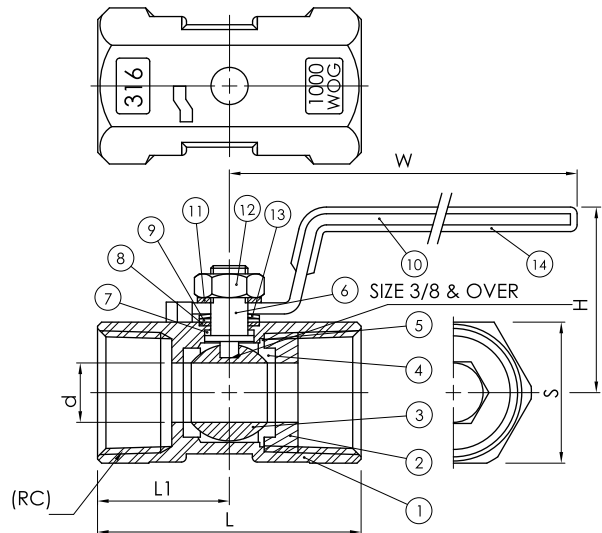
SIZE: 1/4"~2"

INVESTMENT CASTING STAINLESS STEEL BALL VALVE SCREWED END

- FEATURES:**
- * Pipe thread in accordance with ANSI B2.1, BS 21 1973, DIN 259/2999, ISO 228
 - * Blow-out proof stem/Reduce bore
 - * Investment casting body and inscrewed
 - * 800 PSI (55 BAR) W.O.G./1000 PSI (69 BAR) W.O.G.
 - * Material: ASTM-A351-CF8M, ASTM-A351-CF8
 - * OPTION: Locking device
Oval Handle
Wing Handle



NO	NAME OF PARTS	QTY	MATERIALS	SPECIFICATION
				JIS SPEC.
1	BODY	1	ASTM-A351-CF8M	SUS316 OR SCS14A
2	INSERT	1	ASTM-A351-CF8M	SUS316 OR SCS14A
3	BALL	1	ASTM-A351-CF8M	SUS316
4	BALL SEAT	2	15% R-PTFE	15% R-PTFE
5	JOINT GASKET	1	15% R-PTFE	15% R-PTFE
6	STEM	1	AISI 316	SUS316
7	THRUST WASHER	1	15% R-PTFE	15% R-PTFE
8	STEM PACKING	1	15% R-PTFE	15% R-PTFE
9	STEM WASHER	1	AISI 304	SUS304
10	HANDLE	1	AISI 304	SUS304
11	SPRING WASHER	1	AISI 304	SUS304
12	STEM NUT	1	AISI 304	SUS304
13	BELLEVILLE WASHER	1	AISI 304	SUS304
14	PLASTIC COVER	1	PLASTIC	PLASTIC



NOMINAL SIZE (RC)	DIMENSIONS						UNIT:mm			
	d	L	L1	H	W	S	Cv FACTOR	TORQUE kgf-cm	kg	
1/4"	5	39	19	35	66	17	3.8	12	0.070	
3/8"	7	44	21	36	74	21	4.0	12	0.102	
1/2"	9.2	56.5	27.5	41	89	25	4.5	13	0.166	
3/4"	12.5	59	30	44	89	32	9.0	20	0.247	
1"	16	71	36	51	105	38	16.0	38	0.412	
1-1/4"	20	78	39	56	105	48	24.0	50	0.672	
1-1/2"	24.5	83	41.7	64	130	53	37.0	72	0.838	
2"	32	100	50	71	130	65	68.0	90	1.384	

Disclaimer

The information, specifications and technical data contained in this catalogue are subjected to change without prior notice. User should verify all technical data and specifications prior to use. The manufacturer does not warrant that the information in this catalogue is current or correct and assumes no responsibility for the use or misuse of any such material and information by the user.