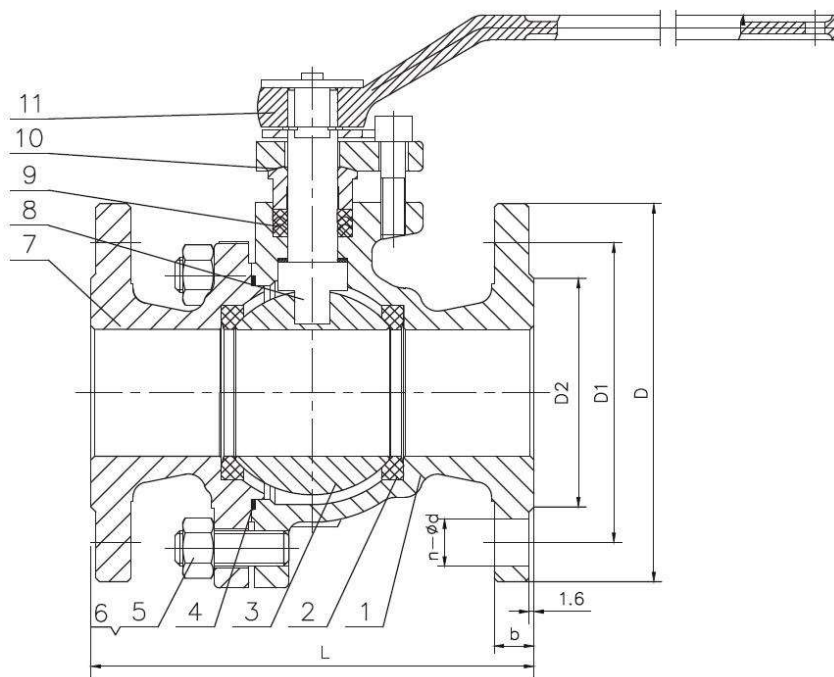


ANSI 150# Cast Steel 2 Piece Flange Ball Valves WCB

Features

- Full Bore
- Solid Ball with Phosphatized Body
- ANSI 150# Flange Connection
- Sizes: 3/4" – 6" (DN20 – DN150)
- Working Pressure: 150#
- Valve Body Material: A216 WCB
- Applicable Medium: General Oil, Gas & Water Applications
- Non-fire Safe Design
- Temperature: -29 Deg C to 150 Deg C



Technical Specifications

1. Basic design and manufacture according to API 608
2. Face-to-face dimensions complies with ASME B16.10
3. Flange ends complied with ASME B16.5
4. Inspection and tested according to API 598

Main Technical Parameter			
Normal pressure		150#	
Test pressure	Shell pressure test	3.0	MPa
	Sealing pressure test	2.2	
	Air pressure test	0.6	
Max working temperature		-29 to 150°C	
Applicable medium: General oil, gas & water			

Material List

No.	Part Name	Material	No.	Part Name	Material
1	Right Body	A216 WCB	8	Stem	A182 F304
2	Seat	PTFE	9	Packing	Graphite
3	Ball	A182 F304	10	Gland	A216 WCB
4	Gasket	SS304 + Graphite	11	Handle	CS + Zn
5	Nuts	A194 2H			
6	Bolts	A193 B7			
7	Left Body	A216 WCB			

Ordering Information

VL - CS - B2 - F - 150 - 08
 I II III IV V VI

I Type of Item
 VL Low Pressure Valves

II Material Grade
 S SS316, CF8M CI Cast Iron
 FS Forged Steel CS Cast Steel
 B Brass

III Item
 GA Gate Valve B1 1 PC Ball Valve
 GL Globe Valve B2 2 PC Ball Valve
 YS Y-Strainer B3 3 PC Ball Valve
 SC Swing Check Valve BL 3 Way Ball Valve L Port
 VC Vertical Check Valve BT 3 Way Ball Valve T Port
 WC Wafer Check Valve BMF Male x Female Mini Ball Valve
 DD Dual Disk BU Butterfly Valve

IV Connection Type
 SW S/W G BSPP
 BW B/W N NPT
 R BSPT F Flange End
 W Wafer L Lug

V Pressure
 200 200 PSI 2000 2000 PSI
 300 300 PSI 150 ANSI 150# Flange Standard
 600 600 PSI 10K JIS 10K Flange Standard
 800 800 PSI PN16 PN 16 Flange Standard
 1000 1000 PSI

For Inch OD & Inch NB Sizes

VI Size

Size	1/8"	1/4"	5/16"	3/8"	1/2"	5/8"	3/4"	1"
Code	02	04	05	06	08	10	12	16
Size	1 1/4"	1 1/2"	2"	2 1/2"	3"	4"	5"	6"
Code	20	24	32	40	48	64	80	96

VII Coating
 (None) No Additional Coating
 NI Nickel Plating

Dimension List

NPS	Connection	Impa Code	Part No	D	D1	D2	b	L	n-Ød	Weight (Kg)
3/4"	Flange End	-	VL-CS-B2-F-150-12	98	70	43	11.5	114	4-Ø16	2.7
1"	Flange End	-	VL-CS-B2-F-150-16	108	79.5	51	13	125	4-Ø16	3.5
1 1/4"	Flange End	-	VL-CS-B2-F-150-20	117	89	64	13	137	4-Ø16	4.8
1 1/2"	Flange End	-	VL-CS-B2-F-150-24	128	100	74.1	16.2	163	4-Ø16	5.9
2"	Flange End	-	VL-CS-B2-F-150-32	154	120	95.4	17	177	4-Ø19	8.0
2 1/2"	Flange End	-	VL-CS-B2-F-150-40	180	143	107	19.3	187	4-Ø19	12.2
3"	Flange End	-	VL-CS-B2-F-150-48	192	155	129.5	19.3	202	4-Ø19	15.2
4"	Flange End	-	VL-CS-B2-F-150-64	230	190	162	22.8	228	8-Ø19	22.9
6"	Flange End	-	VL-CS-B2-F-150-96	280	240	215	23	394	8-Ø22	50.7

Part Number Reference

Impa Code	Part No	Description
-	VL-CS-B2-F-150-12	3/4" 150# CS FLANGE END BALL VALVE WCB, NON-FIRE SAFE DESIGN, SOLID BALL, PHOSPHATIZED BODY
-	VL-CS-B2-F-150-16	1" 150# CS FLANGE END BALL VALVE WCB, NON-FIRE SAFE DESIGN, SOLID BALL, PHOSPHATIZED BODY
-	VL-CS-B2-F-150-20	1 1/4" 150# CS FLANGE END BALL VALVE WCB, NON-FIRE SAFE DESIGN, SOLID BALL, PHOSPHATIZED BODY
-	VL-CS-B2-F-150-24	1 1/2" 150# CS FLANGE END BALL VALVE WCB, NON-FIRE SAFE DESIGN, NON SOLID BALL
-	VL-CS-B2-F-150-32	2" 150# CS FLANGE END BALL VALVE WCB, NON-FIRE SAFE DESIGN, NON SOLID BALL
-	VL-CS-B2-F-150-40	2 1/2" 150# CS FLANGE END BALL VALVE WCB, NON-FIRE SAFE DESIGN, NON SOLID BALL
-	VL-CS-B2-F-150-48	3" 150# CS FLANGE END BALL VALVE WCB, NON-FIRE SAFE DESIGN, NON SOLID BALL
-	VL-CS-B2-F-150-64	4" 150# CS FLANGE END BALL VALVE WCB, NON-FIRE SAFE DESIGN, NON SOLID BALL
-	VL-CS-B2-F-150-96	6" 150# CS FLANGE END BALL VALVE WCB, NON-FIRE SAFE DESIGN, NON SOLID BALL