

Datasheet

RS PRO Electronic Digital Indicators

RS Stock No: 841-2565



Specifications:

A professional digital electronic indicator with constant on function. Ideal for general purpose use and particularly suited to continuous testing applications.

When turned off indicator will remember the last reading and display upon start up

M2.5 diameter ball anvil measuring contact

Lug back mounting fitted as standard

1 x SR44 Coin Cell battery

Order Code	Description
841-2565	Electronic Digital Indicators

Datasheet

RS PRO Electronic Digital Indicators

Specifications:

Dial Face Dia.: 57mm / 2-1/4"

Digit Size: 14mm

Clamping: 8mm Stem / Lug Back

Contact Point: Ball Type / M2.5mm Thread

Range: 25mm / 1"

Resolution: 0.01mm / 0.001"

Repeatability: 0.01mm / 0.001"

Accuracy: $\pm 0.05\text{mm}$

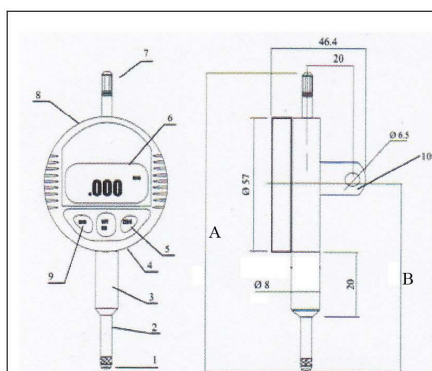
Speed: $\leq 0.5\text{M/S}$

Power 1 x SR44: 1.5v Cell

Operating Temperature.: 0 - 40°C

Storage Temperature: Minus 20 -70°C

Relative Humidity: $\leq 80\%$



- 1: Contact Point
- 2: Spindle
- 3: Stem
- 4: On/Off Switch
- 5: Zero Setting
- 6: LCD Display
- 7: Spindle Top
- 8: Battery Compartment
- 9: Metric / Inch Selection
- 10: Central Back Lug

Use

Clean spindle and contact point with a soft cloth before use
 Press On/Off switch to power up indicator
 Select Metric or Inch measurement
 Press Zero Button when contact point is touching the datum surface
 Instrument is now ready for use

To replace battery, remove battery compartment cover and remove old battery
 Fit new battery into holder with positive side facing upwards. Replace holder and battery into indicator

Model	A	B
	125mm	85mm

Datasheet

RS PRO Electronic Digital Indicators

Care:

Indicator face and spindle should be kept clean and dry

Do not connect any part of the indicator to a voltage supply Avoid shocks and impact to spindle and dial face

Remove battery if not being used for a long period

Fault Finding:

Fault	Possible fault	Action
Digits appear and change rapidly	Low battery power	Replace battery
Display not working when battery is changed	Circuit locked when changing battery due to faulty contact	Remove battery and replace after 30 seconds
Reading error over full travel greater than 0.1mm	Ingress of dirt has damaged or covered sensor	Remove cover and slider assembly, clean with an industrial non-chlorinated solvent
Nothing appears on display	Battery contact is poor or voltage is below 1.1v	Replace battery ensuring contacts are in good condition