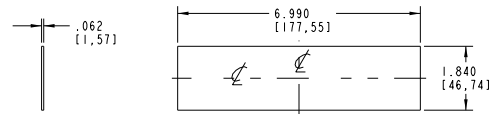
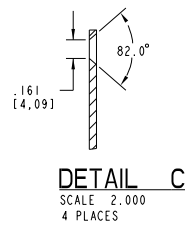
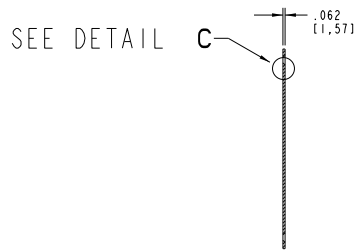


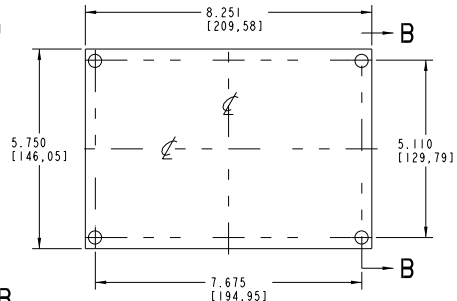
SECTION A-A



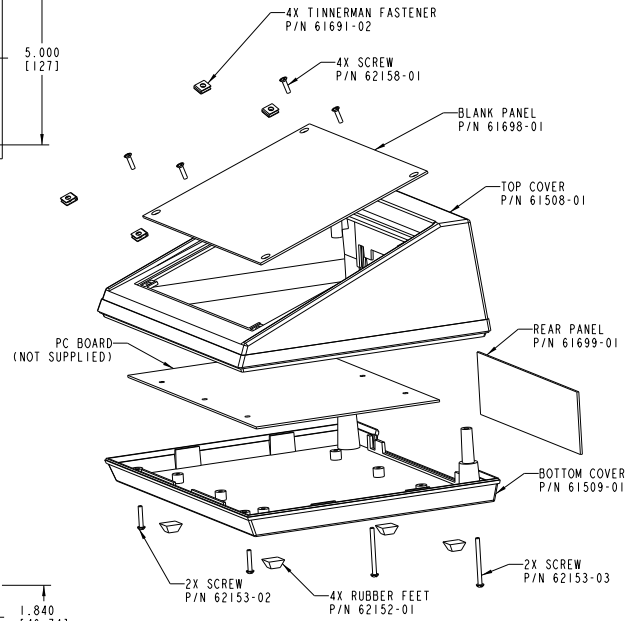
REAR PANEL



SECTION B-B



BLANK PANEL



KEU-10

VISIT **PACINTEC**[®]
ON THE WORLD WIDE WEB
www.pactecenclosures.com

COLOR / MATERIAL CODE		
COLOR	94HB	94VO
BLACK	000	028
P.C.BONE	039	060

DRAWING NUMBER	REV
62884	B