

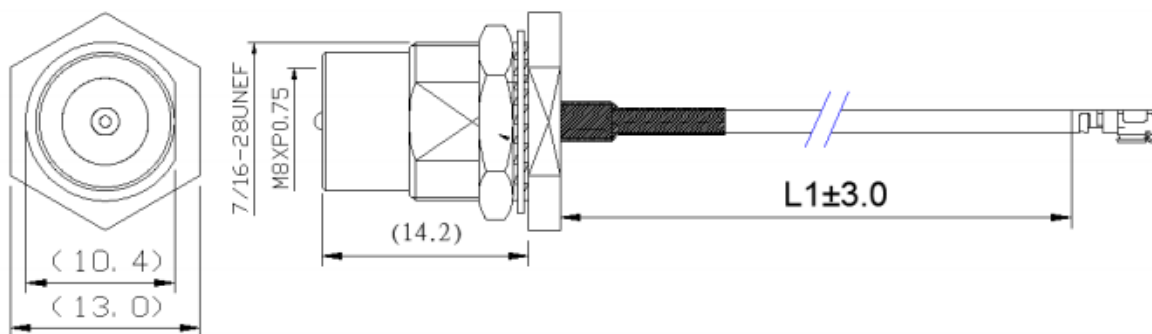
Datasheet

UFL-FME RF coax cable assembly

RS Stock number 794-2936



Dimensions: (mm)



Specification

1. FME B/H PLUG CRIMP TYPE FOR $\phi 1.37\text{mm}$ CABLE NUT x 1, WASHER x 1
2. U.FL-LP-088 Halogen Free For $\phi 1.37\text{mm}$ Cable
3. U.FL-088 CONTACT For $\phi 1.37\text{mm}$ Cable
4. 1.37mm CABLE TIN PLATED COLOR:BLACK
5. HEAT SHRINK TUBE F32 $\phi 2.5\text{mm}$ L=15.0mm COLOR:BLACK.

ELECTRICAL PERFORMANCE:

- 1.IMPEDANCE:50 OHMS
- 2.FREQUENCY RANGE:DC~3GHz
- 3.WORKING VOLTAGE:250Vrms MAXIMUM
- 4.DIELECTRIC WITHSTANDING VOLTAGE:750Vrms min.