

Datasheet

Sub-Miniature Toggle Switch

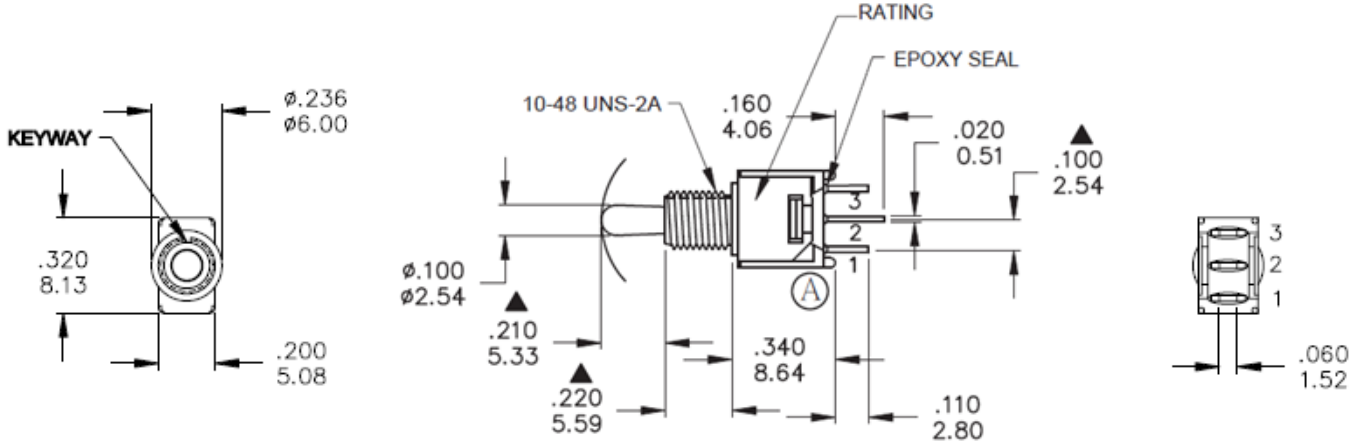
RS Stock number 734-7233



Specifications:

MECHANICAL LIFE:	30,000 make-and-break cycles at full load
CONTACT RESISTANCE:	20m Ω max. initial @ 2-4VDC 100mA for both silver and gold plated contacts
INSULATION RESISTANCE:	1000M Ω min.
DIELECTRIC STRENGTH:	1000Vrms min. @ sea level.
OPERATING TEMPERATURE:	-40°C to 85°C.
CASE:	Diallyl phthalate (DAP) (UL94v-0)
ACTUATOR:	Brass, chrome plated
BUSHING:	Brass, nickel plated
HOUSING:	Stainless Steel
CONTACT/TERMINAL:	Phosphor bronze gold-plated over nickel barrier
SWITCH SUPPORT:	Brass, tin plated

**Dimensions – inch
mm**



PANEL MOUNTING

SOLDER LUG

Model No.	POS.1	POS.2	POS.3
2MS3	ON	OFF	ON
Term. Comm.	2-3	OPEN	2-1
SCHEMATIC			

SWITCH FUNCTION