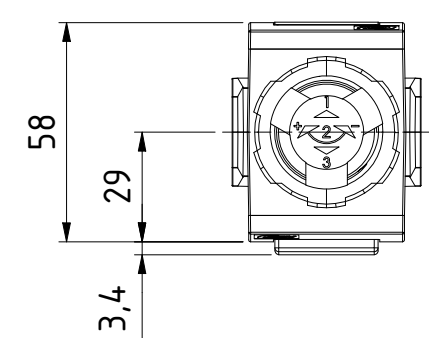
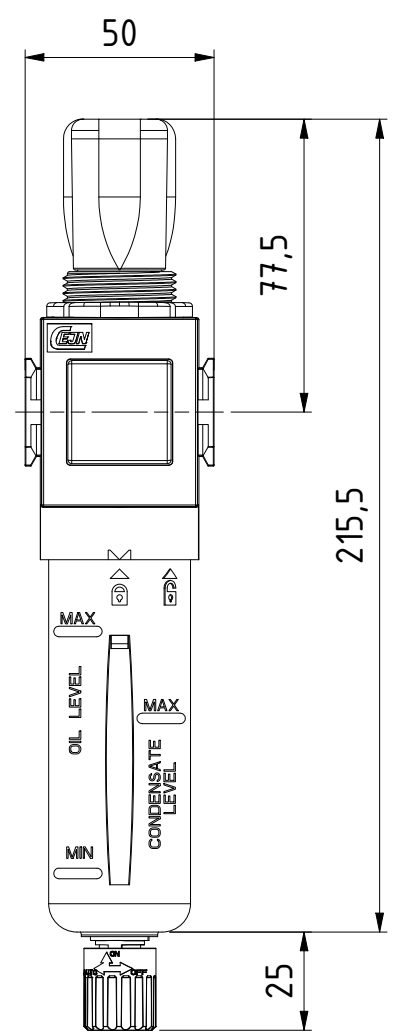


This document must not be copied, either completely or in part, without permission. Any infringement will have legal consequences ©

A3



1 : 2

Product No. 1950314.02 Fil/Reg 651 25 my G 1/4" Fem

Temperature range: -20°C - +50°C

Max working pressure: 16 bar

Technical data see <https://www.cejn.com/products/pneumatics/frl>



Scale	1 : 2	Drawn	CABLHE	Checked	ANLA	Appr.	JOOL	ECO	Date	2020-06-30
Drawing No.								Issue	Sheet	
Assembly Drawing								505031402	AA	1 / (1)