



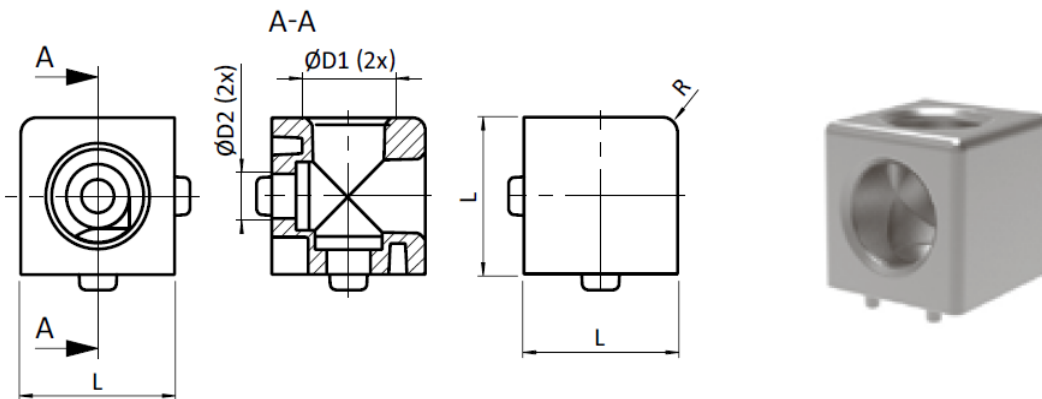
Datasheet

RS PRO Cube Connector 2D

Stock number: 180-9141

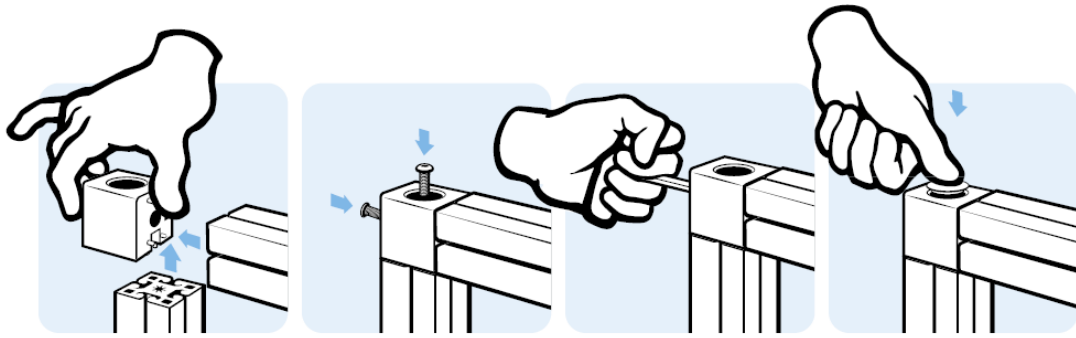
EN

Description	To connect two aluminium profiles at right angles, with cover caps to cover the bore, for Slot 5
Material	Cube connector: Aluminium die-cast Cover cap: Plastic PA Assembly set: Steel
Assembly set	2 screws ISO 7380 – M5 x 14



RS Article no.	Product description	D1 [mm]	D2 [mm]	L [mm]	N	R [mm]	Weight [g]
1809141	Cube connector 2D SET	12.0	5.2	20.0	5	1.5	16.0





RS Article no.	Product description	Compatible with groove size	Product system	Structural element type
1809141	Cube connector 2D SET	5	20	Connecting Bracket & Joint