

Datasheet

RS PRO NYLON-INSULATED BOOTLACE FERRULE (CORD END) TERMINALS

Stock number: 311-7943

MAXIMUM ELECTRIC CURRENT:

A.W.G.	14
AMP.	30

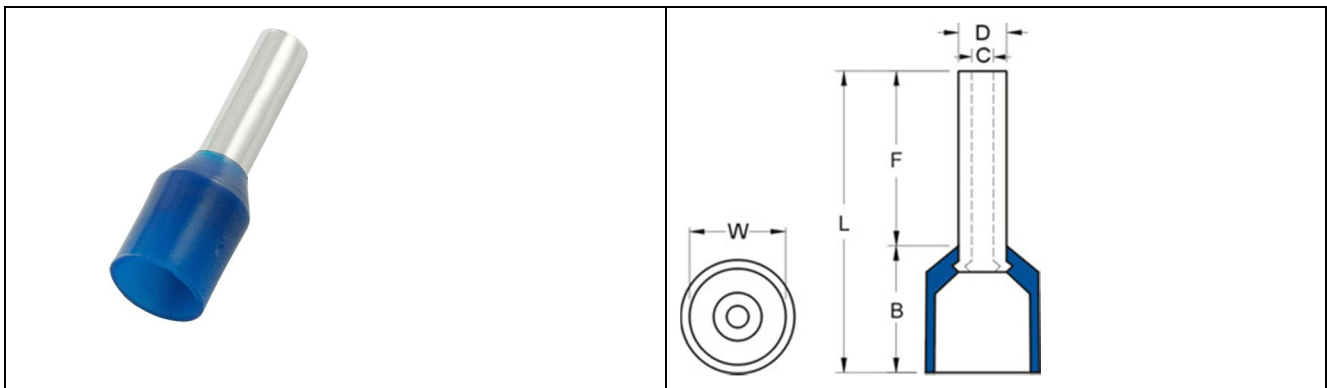
MAXIMUM ELECTRICAL RATING: 105° C 600 VOLTS MAX.

INSULATION MATERIAL: NYLON

TERMINAL MATERIAL: COPPER TUBE

SURFACE TREATMENT: TIN PLATE

INSULATION COLOR: BLUE



WIRE RANGE A.W.G. mm ²	ITEM NO.	DIMENSION inch(mm)					
		F	L	W	B	D	C
14 A.W.G. 2.5 mm ²	311-7943	0.709 18	0.945 24	0.165 4.2	0.291 7.4	0.098 2.500	0.087 2.2