

Datasheet

RS Pro 26mm Plain Stainless Steel Flanged Hex Nut, M12, A2

RS Stock No: **725-9656**



Product Details

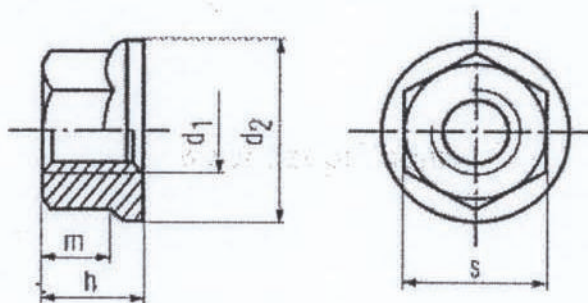
RS Pro flange hexagonal nut made of A2 grade stainless steel offers corrosion resistance. The nut has a flange diameter of 26 mm. It features M12 metric threading to couple with threaded rod. The nut meets all the requirements of DIN6923 standards.

Features and Benefits

- Made of A2 grade stainless steel
- M12 metric threading
- Plain faced flange
- Meet the requirements of DIN6923 standards

Specifications:

Finish	Plain
Flange Diameter	26 mm
Material	Stainless Steel
Overall Height	12 mm
Stainless Steel Type	A2
Thread Size	M12
Specification	DIN 6923
Type	Unserrated
Width Across Flats	18 mm



All measurements in millimeters (mm)

d ₁	d ₂	s	h
M3	8	5.5	3.7
M4	10	7	4.5
M5	11.8	8	5
M6	14.2	10	6
M8	17.9	13	8
M10	21.8	15	10
M12	26	18	12
M14	29.9	21	14
M16	34.5	24	16
M20	42.8	30	20

*All information is strictly informative

MATERIAL: STAINLESS STEEL GRADE A2