



ENGLISH

Datasheet

RS PRO Grey 2+PE Industrial Power Plug

Stock No: 2035564

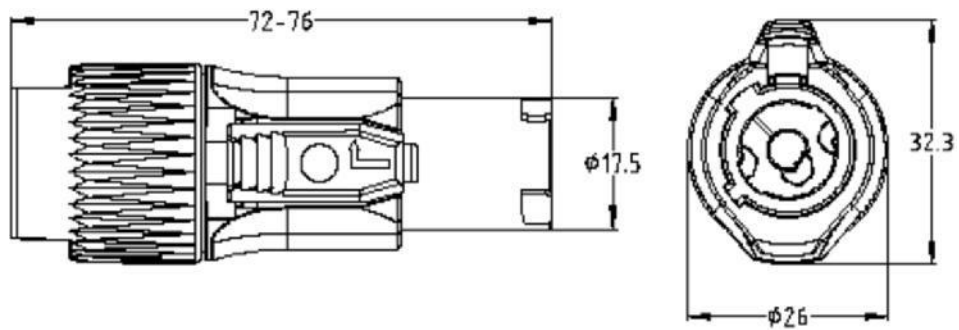


A range of power plugs and sockets. There are 2 types, Power In and Power Out. Plugs lock into sockets and have a keyway to prevent insertion of the wrong plug.

Mates with Panel socket stock no. 1873808



rspro.com



SPECIFICATION

| | |
|----------------------------|--------------------------|
| Number of contacts: | 2+PE |
| Contact Resistance: | $\leq 3\text{m}\Omega$ |
| Insulation Resistance: | $\geq 100\text{M}\Omega$ |
| Dielectric strength: | 4000V DC |
| Rated Voltage: | 250V AC |
| Rated current per contact: | 20A rms |