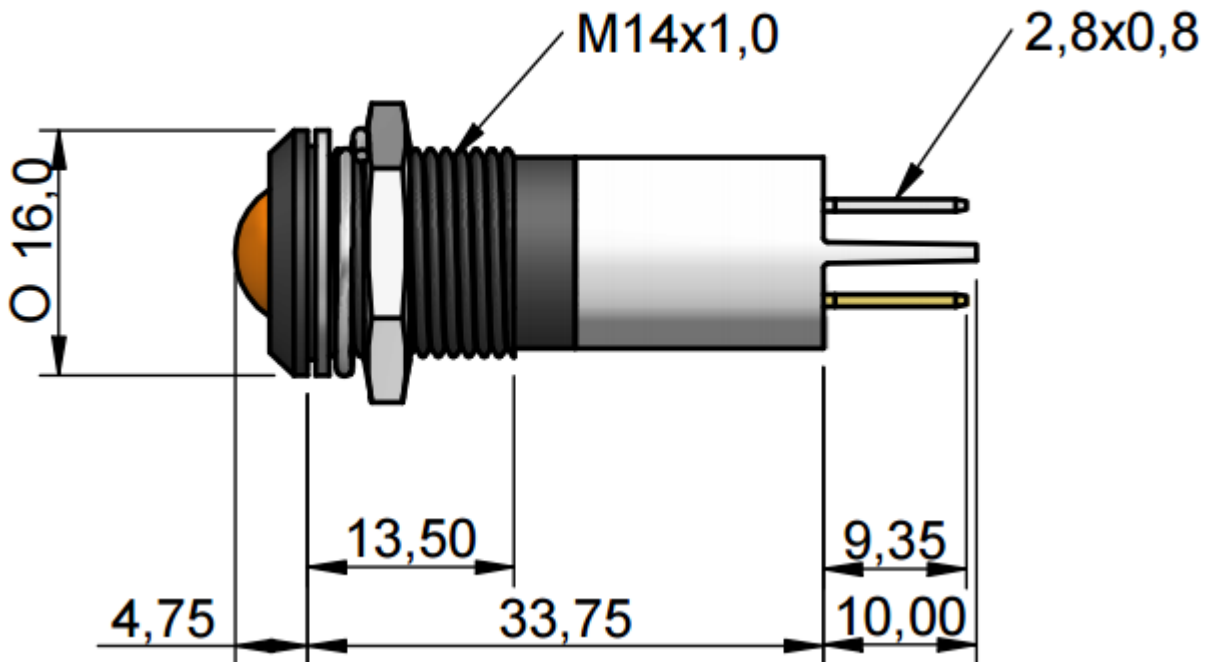


Datasheet

Panel Mount Indicator

RS ITEM NO 209-232



LED/Multiled	Neon	Optimum voltage (V)	230Vac	Intensity	-
Mounting Size	14mm	Rectifier	-		
Mounting Finish	Black	AC current	-		
Protection	IP40	DC current	-		
Mount Holder	Prominent	Voltage Tolerance (%)	10%		
Chip Qty	-	Optimum temperature (°C)	-40°C...+85°C		
Indicator colour	Amber	Storage temperature (°C)	-		
Wavelength (nm)	-	Contact Tab x 2	2.8x0.8mm		



Dimension in mm (typical), not to scale.
We reserve the right to make changes without further notice to this product to improve reliability, function or design.