



ENGLISH

## Datasheet

# DC Axial Fan, 92.5 x 92.5 x 25mm, 75m/h, 2W, 12 V dc (OD9225 Series)

RS Stock number [541-5075](#)



### Frame and Impeller

PBT, UL94V-0 Thermoplastic

### Available Options

Tachometer

Locked Rotor Alarm

Finger Guard: G92-16

Plastic Guard: G92P

Wire Mesh Guard: WMG92M

Filter Kit: GRM92-30, GRM92-45

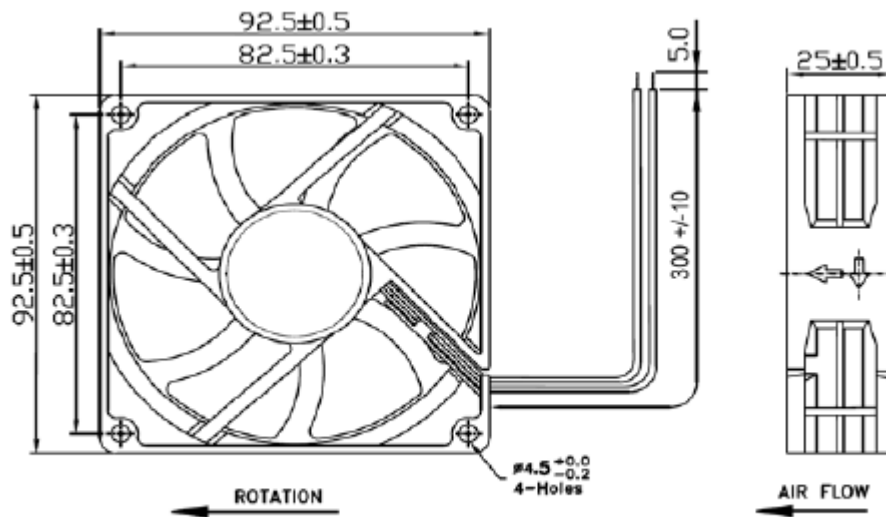
RS Part Number	Orion Part Number	Speed (RPM)	Airflow (CFM)	Noise (db)	Volts (DC)	Voltage Range	Current (Amps)	Lead Type
5415081	-----	2900	52	31	12	7.0~13.6	0.25	Wire
5415075	-----	2500	43	25	12	7.0~13.6	0.17	Wire
5415069	-----	2000	36	22	12	7.0~13.6	0.13	Wire
5415334	-----	2900	52	31	24	10~27	0.15	Wire
5415328	-----	2500	43	25	24	10~27	0.12	Wire
5415312	-----	2000	36	22	24	10~27	0.08	Wire

Data Tolerance +/- 10%



## Drawing(mm):

ENGLISH



\*Drawing for Dimensional Reference Only

### **MOTOR**

Brushless DC, polarity protected, locked rotor protected (current limited), auto restart

### **INSULATION RESISTANCE**

Min. 10 M Ohm at 500VDC

### **LIFE EXPECTANCY (L10)**

Ball Bearing 60,000 Hours

### **Operating Temperature**

-10C ~ +70C

### **Safety Approvals**

UL/CUL, TUV, CE