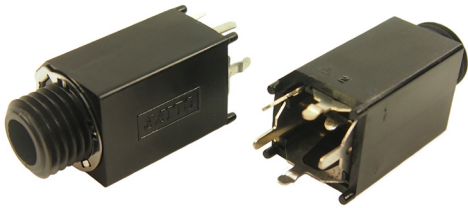


Vertical Jack Sockets

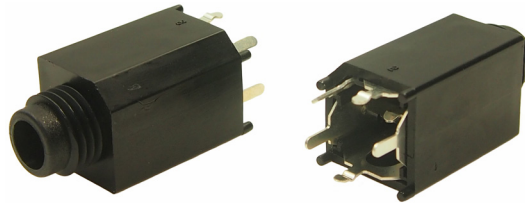
6.35mm

multicomp^{PRO}

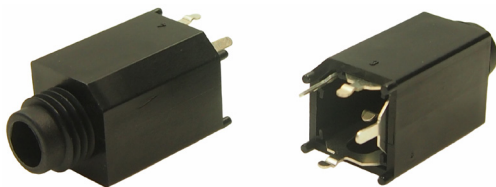
RoHS
Compliant



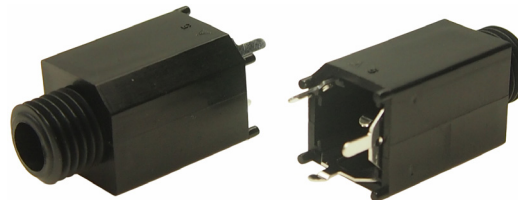
MP11061



MP11061S



MP11063S



MP11064



MP1406

Features

- Compact vertical PCB mounting with 24mm stand-off gives high packing density.
- Snap-in PCB mounting to facilitate pre-assembly and wave soldering.
- Optional chassis grounding versions. Grounding chassis to plug and PCB.
- Body design supports auto-insertion.

Specification

Withstand Voltage	: 2000V DC minimum.
Maximum Current	: 5 amp.
Temperature Rating	: -10°C to + 70°C.
Life	: Minimum 10,000+ operations.
Nominal Contact Resistance	: <50mΩ.

Newark.com/multicomp-pro
Farnell.com/multicomp-pro
Element14.com/multicomp-pro

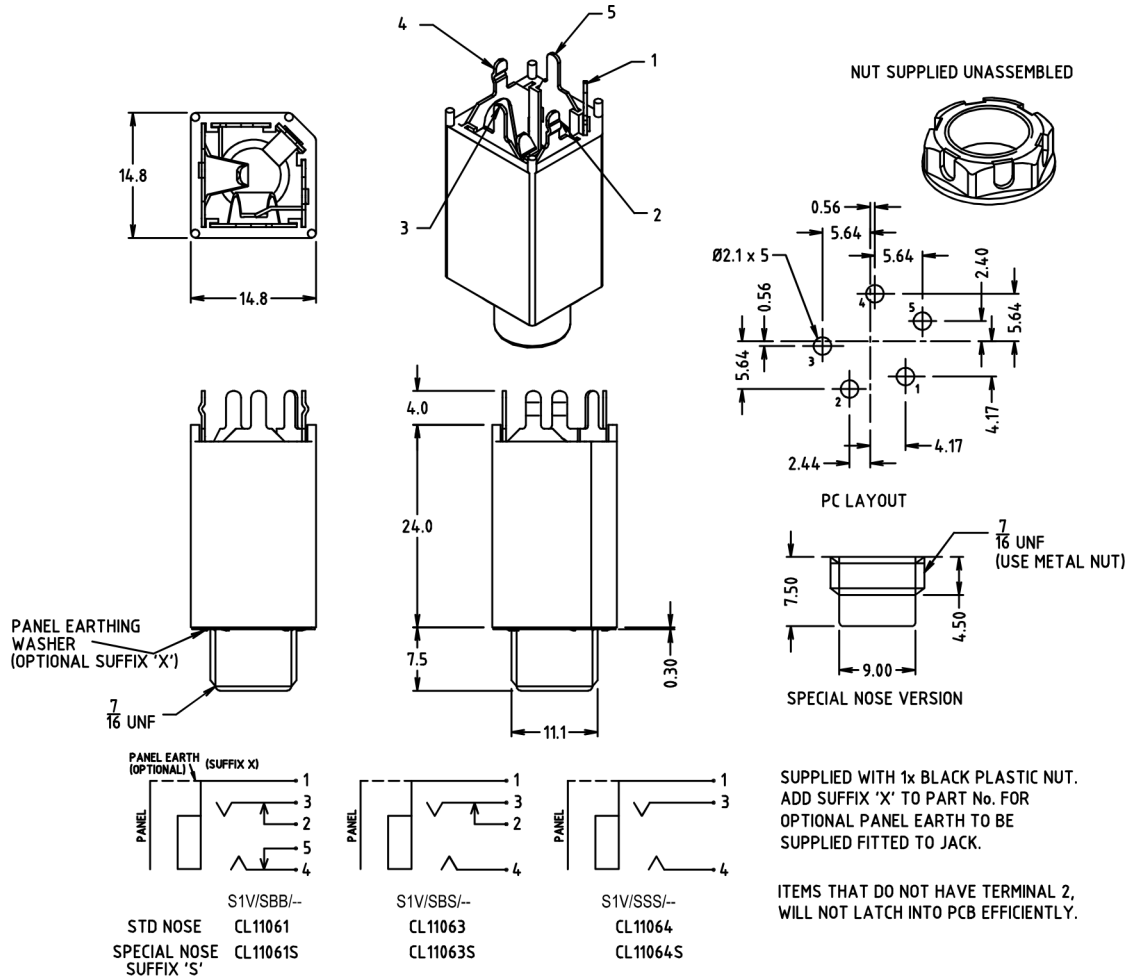
multicomp^{PRO}

Vertical Jack Sockets

6.35mm

multicomp PRO

Dimensions



Dimensions : Millimetres

Part Number Table

Description	Part Number
Stereo 6.35mm Vertical Jack Socket, Snap-in	MP11061
Stereo 6.35mm Vertical Jack Socket, Snap-in, with Special (half-threaded) Nose	MP11061S
Stereo 6.35mm Vertical Jack Socket, Snap-in, with Special (half-threaded) Nose	MP11063S
Stereo 6.35mm Vertical Jack Socket, Snap-in	MP11064
Plastic Nut for 6.35mm Vertical Jack Socket	MP1406

Important Notice : This data sheet and its contents (the "Information") belong to the members of the AVNET group of companies (the "Group") or are licensed to it. No licence is granted for the use of it other than for information purposes in connection with the products to which it relates. No licence of any intellectual property rights is granted. The Information is subject to change without notice and replaces all data sheets previously supplied. The Information supplied is believed to be accurate but the Group assumes no responsibility for its accuracy or completeness, any error in or omission from it or for any use made of it. Users of this data sheet should check for themselves the Information and the suitability of the products for their purpose and not make any assumptions based on information included or omitted. Liability for loss or damage resulting from any reliance on the Information or use of it (including liability resulting from negligence or where the Group was aware of the possibility of such loss or damage arising) is excluded. This will not operate to limit or restrict the Group's liability for death or personal injury resulting from its negligence. Multicomp Pro is the registered trademark of Premier Farnell Limited 2019.

Newark.com/multicomp-pro
 Farnell.com/multicomp-pro
 Element14.com/multicomp-pro

multicomp PRO