

# SUBMINIATURE MICRO SWITCHES

## MV7N - SERIES

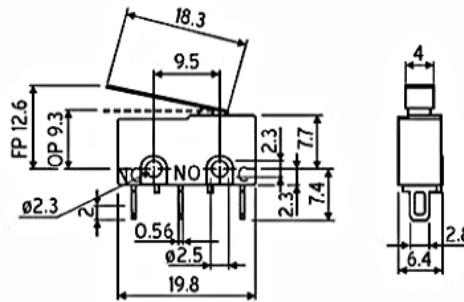
- Characteristics
- Designed for applications where low operating force is required.
  - Single pole changeover.
  - Fine silver contacts.
  - High precision snap action mechanism.
  - Moulded from flame retardant thermoplastic (UL94V-O)
  - Long mechanical & electrical life.
  - Solder or PC board terminals.
  - Silver / Gold plated terminals.
  - Conform to IEC 1058-1 standard.

CE

Approval



Ordering code	<b>MV7N( )L7</b>
Actuating force	50 gms. (max.)
Release force	2.5 gms. (min.)
Pretravel	4.5 mm. (max.)
Overtravel	1.18 mm.
Movement differential	1.10 mm. (max.)
Salient features	Plain integral lever solder terminals



### ELECTRICAL RATINGS

Load	Ratings
AC	5 A at 250V 2 A at 250V (for low force models.)
DC (resistive)	0.5 A at 125V or 0.25 A at 250V. 0.25A at 125V and 250V (for low force models.)
DC (inductive)	0.06 A at 110V & 0.03 A at 250V. 0.03 A at 110V and 0.02A at 250V (for low force models.)