



Datasheet

RS Pro DC axial fan, 40x15mm 14.45cu.m/h 5V

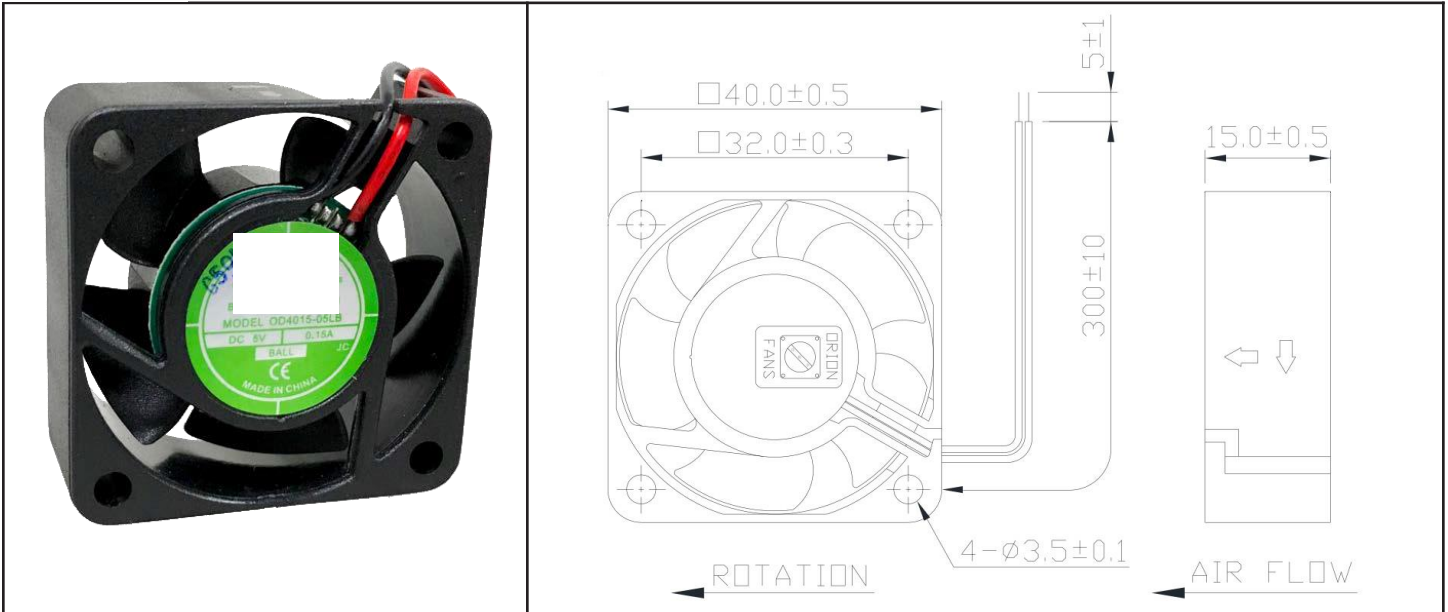
OD4015 Series

DC Fan - 5V, 12V, 24V
40 x 15mm (1.58 x .59in)

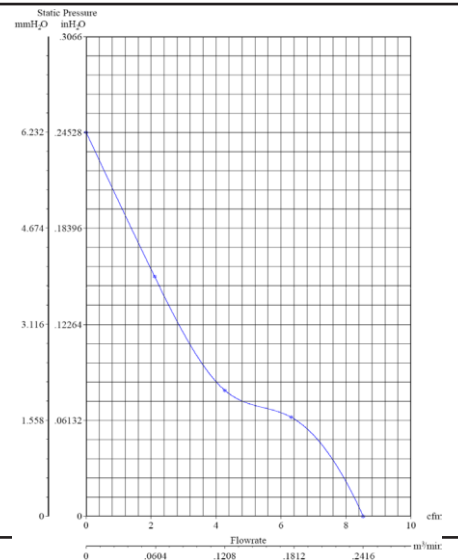


Model#	Pg#	Voltage	RPM	CFM	Noise Level	Max Static Pressure
	2	5 VDC	8000	8.5	36 dB	.25 H ₂ O
	3	5 VDC	8000	8.5	36 dB	.25 H ₂ O
	4	5 VDC	6000	6.8	26 dB	.16 H ₂ O
	5	12 VDC	8000	8.5	36 dB	.25 H ₂ O
	6	12 VDC	8000	8.5	36 dB	.25 H ₂ O
	7	12 VDC	6000	6.8	26 dB	.16 H ₂ O
	8	12 VDC	6000	6.8	26 dB	.16 H ₂ O
	9	12 VDC	7000	8.1	32 dB	.23 H ₂ O
	10	24 VDC	8000	8.5	36 dB	.25 H ₂ O
	11	24 VDC	6000	6.8	29 dB	.16 H ₂ O
	12	24 VDC	6000	6.8	29 dB	.16 H ₂ O

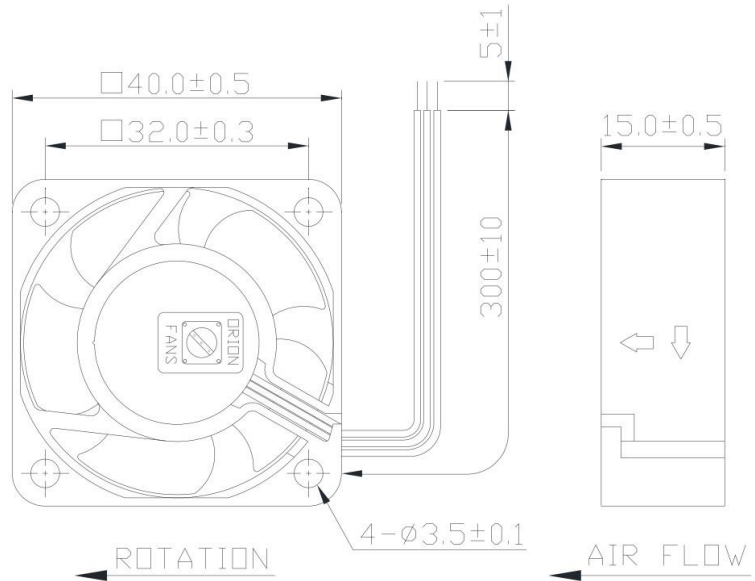
** For some models and part numbers, minimum order quantities may apply.



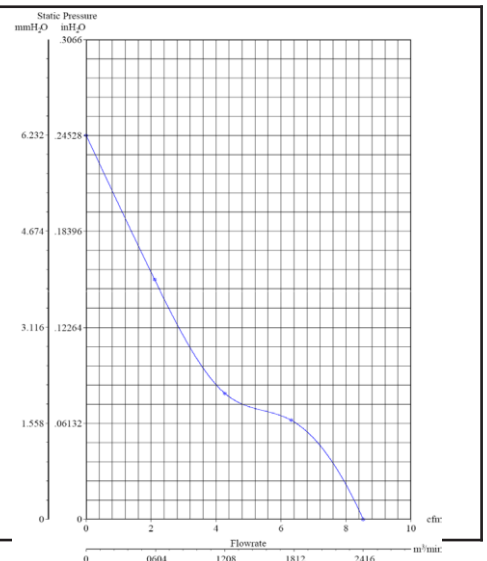
Frame & Impeller	PBT, UL94V-0 plastic	Available Options IP55 Other speeds and voltages Tachometer Alarm
Connection	2x Lead wires *	
Motor	Brushless DC, auto restart, polarity protected.	*Connection: Wire Leads - UL1007 26AWG Red(+), Black (-), Weight: 24 g
Bearing System	Dual ball bearing	
Insulation Resistance	Min. 10M at 500VDC	
Dielectric Strength	1 second at 500VAC max leakage 500 microamp	
Temperature Range	-10C ~ +70C	
Storage Temperature	-40C ~ +80C	
Life (L10)	70,000 hours (40C)	



Model Number	
Part Number	146541001
Nominal Voltage	5 VDC
Voltage Range	4 ~ 5.5 VDC
Nominal Current	.25 A
Rated Power	1.5 Watts
Rated Speed (RPM)	8000
Airflow (CFM)	8.5
Noise Level (dB)	36
Max. Static Pressure	.25 "H ₂ O

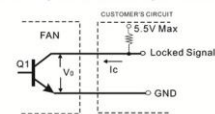


Frame & Impeller	PBT, UL94V-0 plastic	Available Options IP55 Other speeds and voltages Tachometer
Connection	3x Lead wires *	
Motor	Brushless DC, auto restart, polarity protected.	*Connection: Wire Leads - UL1007 26AWG Red(+), Black (-) Yellow Alarm, Weight: 24 g
Bearing System	Dual ball bearing	
Insulation Resistance	Min. 10M at 500VDC	
Dielectric Strength	1 second at 500VAC max leakage 500 microamp	
Temperature Range	-10C ~ +70C	
Storage Temperature	-40C ~ +80C	
Life (L10)	70,000 hours (40C)	



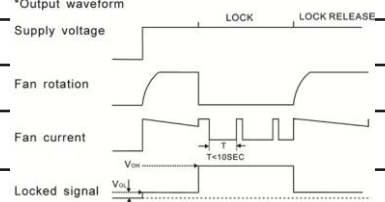
Model Number	
Part Number	146541231
Nominal Voltage	5 VDC
Voltage Range	4 ~ 5.5 VDC
Nominal Current	.25 A
Rated Power	1.5 Watts
Rated Speed (RPM)	8000
Airflow (CFM)	8.5
Noise Level (dB)	36
Max. Static Pressure	.25 "H ₂ O

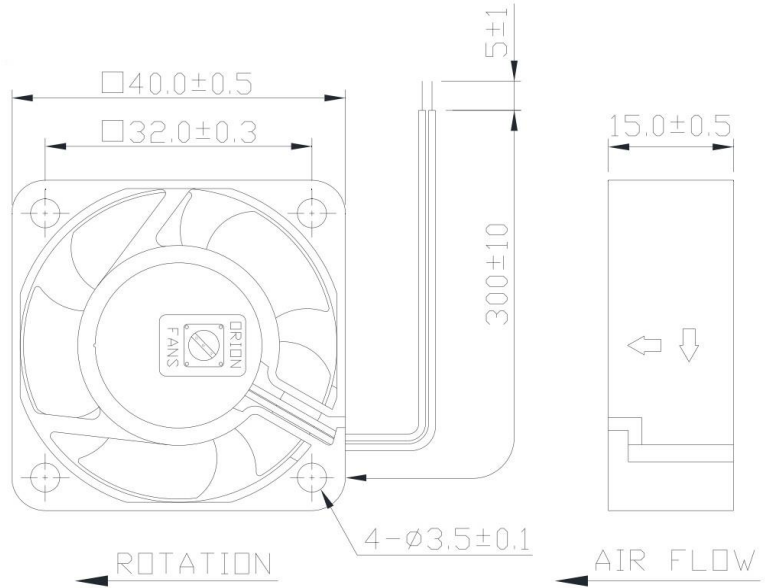
Output of locked signal
*Output type.....Open collector type
*Electrical design suggestion:
(External signal function design is decided by customer)



*Transistor Q1 at "ON" position
Collector current.....I_c=10mA Max
Saturation Voltage.....V_{ce}=1.0V Max
(Between Collector and Emitter at I_c=10mA)
*Transistor Q1 at "OFF" position
Release Voltage.....V_{ce}=5.5V Max

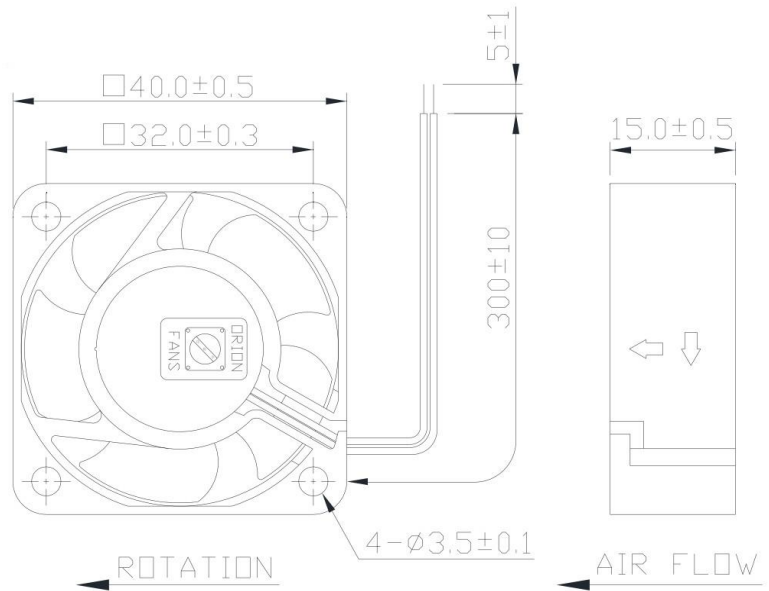
*Output waveform





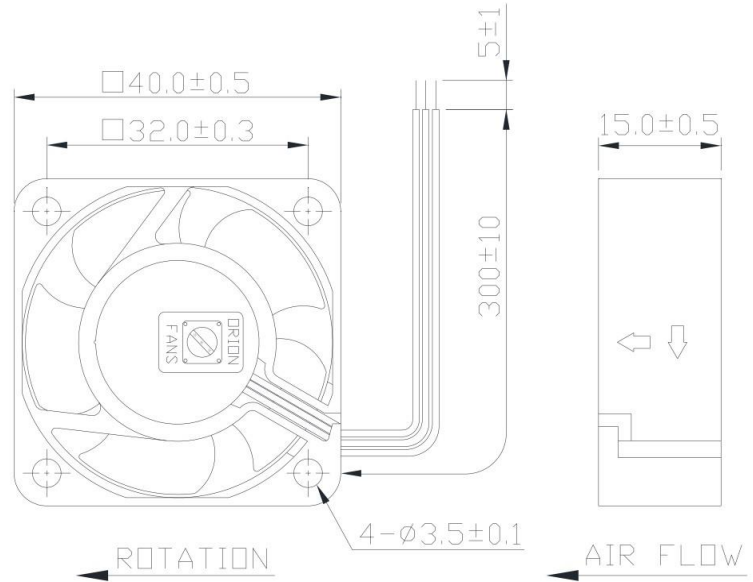
Frame & Impeller	PBT, UL94V-0 plastic	Available Options IP55 Other speeds and voltages Tachometer Alarm	<p>Static Pressure mmH₂O inH₂O</p> <p>4.216 1.6592 3.162 1.2444 2.108 0.8296 1.054 0.4148</p> <p>0 0 1.658 3.316 4.974 6.632 8.29</p> <p>Flowrate cfm'</p> <p>0 0.047 0.094 0.141 0.188</p> <p>m³/min'</p>
Connection	2x Lead wires *		
Motor	Brushless DC, auto restart, polarity protected.		
Bearing System	Dual ball bearing		
Insulation Resistance	Min. 10M at 500VDC	*Connection: Wire Leads - UL1007 26AWG Red(+), Black (-)	
Dielectric Strength	1 second at 500VAC max leakage 500 microamp		
Temperature Range	-10C ~ +70C	Weight: 24 g	
Storage Temperature	-40C ~ +80C		
Life (L10)	70,000 hours (40C)		

Model Number	
Part Number	145121001
Nominal Voltage	5 VDC
Voltage Range	4 ~ 5.5 VDC
Nominal Current	.15 A
Rated Power	1.5 Watts
Rated Speed (RPM)	6000
Airflow (CFM)	6.8
Noise Level (dB)	26
Max. Static Pressure	.16 "H ₂ O



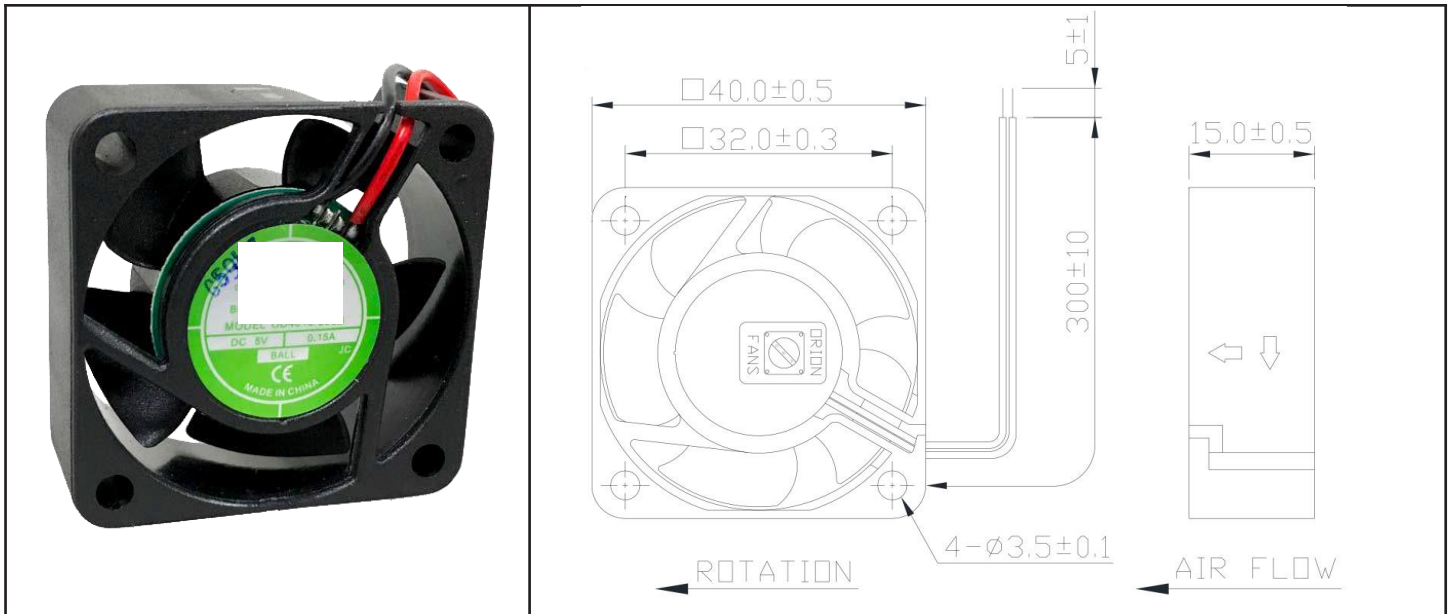
Frame & Impeller	PBT, UL94V-0 plastic	Available Options IP55 Other speeds and voltages Tachometer Alarm	
Connection	2x Lead wires *		
Motor	Brushless DC, auto restart, polarity protected.		
Bearing System	Dual ball bearing		
Insulation Resistance	Min. 10M at 500VDC	*Connection: Wire Leads - UL1007 26AWG Red(+), Black (-),	
Dielectric Strength	1 second at 500VAC max leakage 500 microamp		
Temperature Range	-10C ~ +70C	Weight: 24 g	
Storage Temperature	-40C ~ +80C		
Life (L10)	70,000 hours (40C)		

Model Number	
Part Number	146141001
Nominal Voltage	12 VDC
Voltage Range	9 ~ 13.2 VDC
Nominal Current	.11 A
Rated Power	1.8 Watts
Rated Speed (RPM)	8000
Airflow (CFM)	8.5
Noise Level (dB)	36
Max. Static Pressure	.25 "H ₂ O

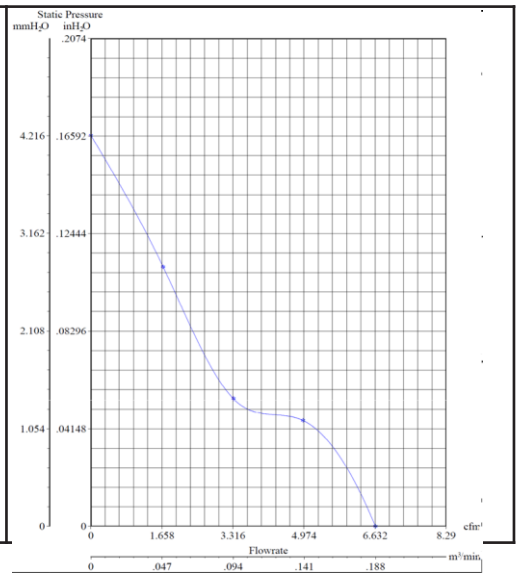


Frame & Impeller	PBT, UL94V-0 plastic	Available Options IP55 Other speeds and voltages Tachometer *Connection: Wire Leads - UL1007 26AWG Red(+), Black (-) Alarm Yellow Weight: 24 g	
Connection	3x Lead wires *		
Motor	Brushless DC, auto restart, polarity protected.		
Bearing System	Dual ball bearing		
Insulation Resistance	Min. 10M at 500VDC		
Dielectric Strength	1 second at 500VAC max leakage 500 microamp		
Temperature Range	-10C ~ +70C		
Storage Temperature	-40C ~ +80C		
Life (L10)	70,000 hours (40C)		

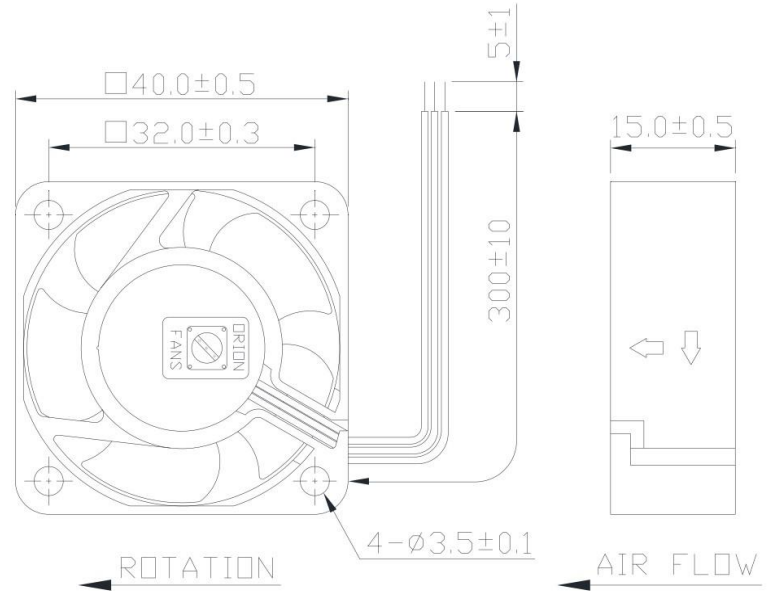
Model Number	
Part Number	146141231
Nominal Voltage	12 VDC
Voltage Range	9 ~ 13.2 VDC
Nominal Current	.11 A
Rated Power	1.8 Watts
Rated Speed (RPM)	8000
Airflow (CFM)	8.5
Noise Level (dB)	36
Max. Static Pressure	.25 "H ₂ O



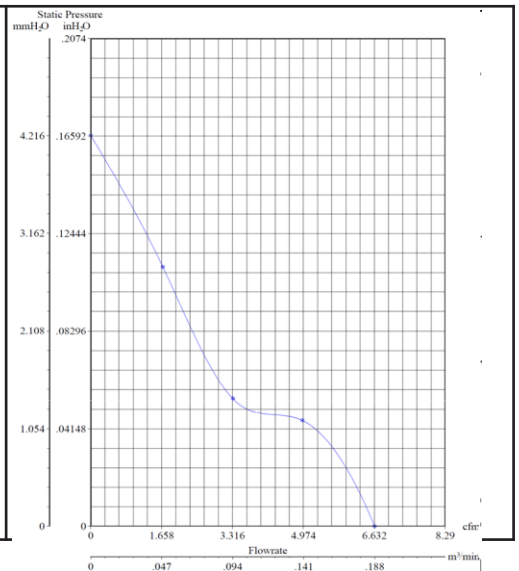
Frame & Impeller	PBT, UL94V-0 plastic	Available Options IP55 Other speeds and voltages Tachometer Alarm
Connection	2x Lead wires *	
Motor	Brushless DC, auto restart, polarity protected.	*Connection: Wire Leads - UL1007 26AWG Red(+), Black (-) Weight: 24 g
Bearing System	Dual ball bearing	
Insulation Resistance	Min. 10M at 500VDC	
Dielectric Strength	1 second at 500VAC max leakage 500 microamp	
Temperature Range	-10C ~ +70C	
Storage Temperature	-40C ~ +80C	
Life (L10)	70,000 hours (40C)	



Model Number	
Part Number	146121001
Nominal Voltage	12 VDC
Voltage Range	9 ~ 13.2 VDC
Nominal Current	.052 A
Rated Power	1.2 Watts
Rated Speed (RPM)	6000
Airflow (CFM)	6.8
Noise Level (dB)	26
Max. Static Pressure	.16 "H ₂ O



Frame & Impeller	PBT, UL94V-0 plastic	Available Options IP55 Other speeds and voltages Tachometer *Connection: Wire Leads - UL1007 26AWG Red(+), Black (-) Yellow Alarm Weight: 24 g
Connection	3x Lead wires *	
Motor	Brushless DC, auto restart, polarity protected.	
Bearing System	Dual ball bearing	
Insulation Resistance	Min. 10M at 500VDC	
Dielectric Strength	1 second at 500VAC max leakage 500 microamp	
Temperature Range	-10C ~ +70C	
Storage Temperature	-40C ~ +80C	
Life (L10)	70,000 hours (40C)	

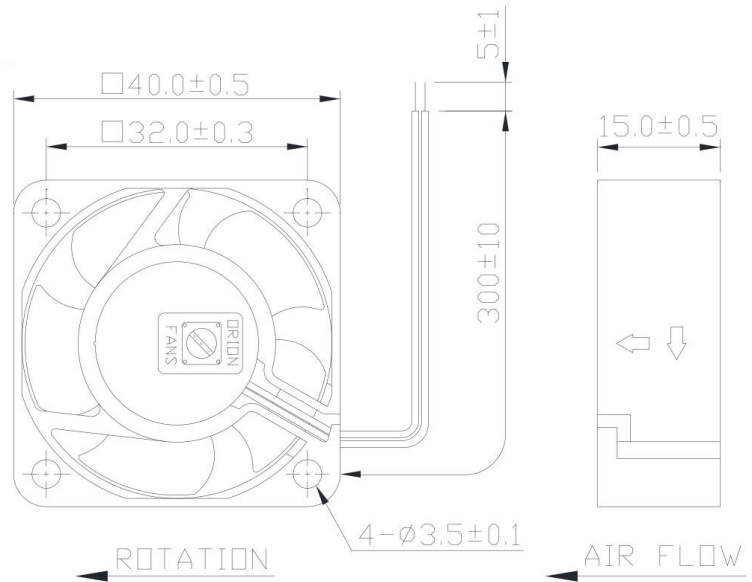


Model Number	
Part Number	146121231
Nominal Voltage	12 VDC
Voltage Range	9 ~ 13.2 VDC
Nominal Current	.05 A
Rated Power	1.44 Watts
Rated Speed (RPM)	6000
Airflow (CFM)	6.8
Noise Level (dB)	26
Max. Static Pressure	.16 "H ₂ O

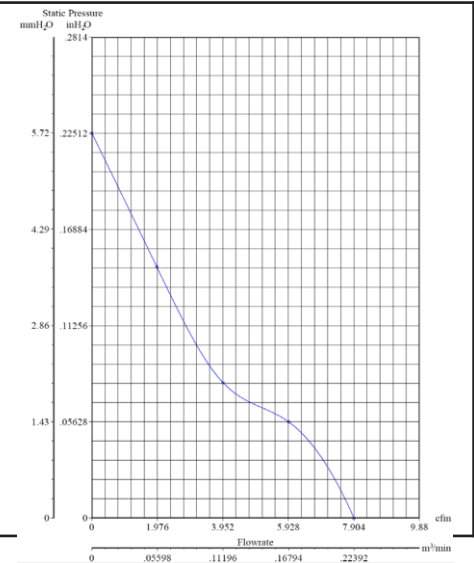
Output of locked signal
 *Output type..... Open collector type
 *Electrical design suggestion:
 (External signal function design is decided by customer)

*Transistor Q1 at "ON" position
 Collector current..... $I_c=10\text{mA Max}$
 Saturation Voltage..... $V_{ce}=1.0\text{V Max}$
 (Between Collector and Emitter at $I_c=10\text{mA}$)
 *Transistor Q1 at "OFF" position
 Release Voltage..... $V_{ce}=30\text{V Max}$

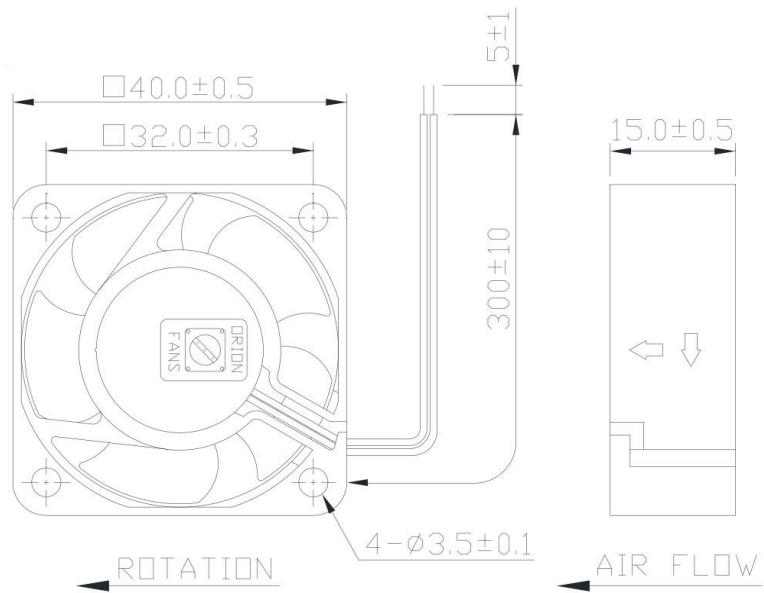
*Output waveform



Frame & Impeller	PBT, UL94V-0 plastic	Available Options IP55 Other speeds and voltages Tachometer Alarm
Connection	2x Lead wires *	
Motor	Brushless DC, auto restart, polarity protected.	*Connection: Wire Leads - UL1007 26AWG Red(+), Black (-) Weight: 24 g
Bearing System	Dual ball bearing	
Insulation Resistance	Min. 10M at 500VDC	
Dielectric Strength	1 second at 500VAC max leakage 500 microamp	
Temperature Range	-10C ~ +70C	
Storage Temperature	-40C ~ +80C	
Life (L10)	70,000 hours (40C)	

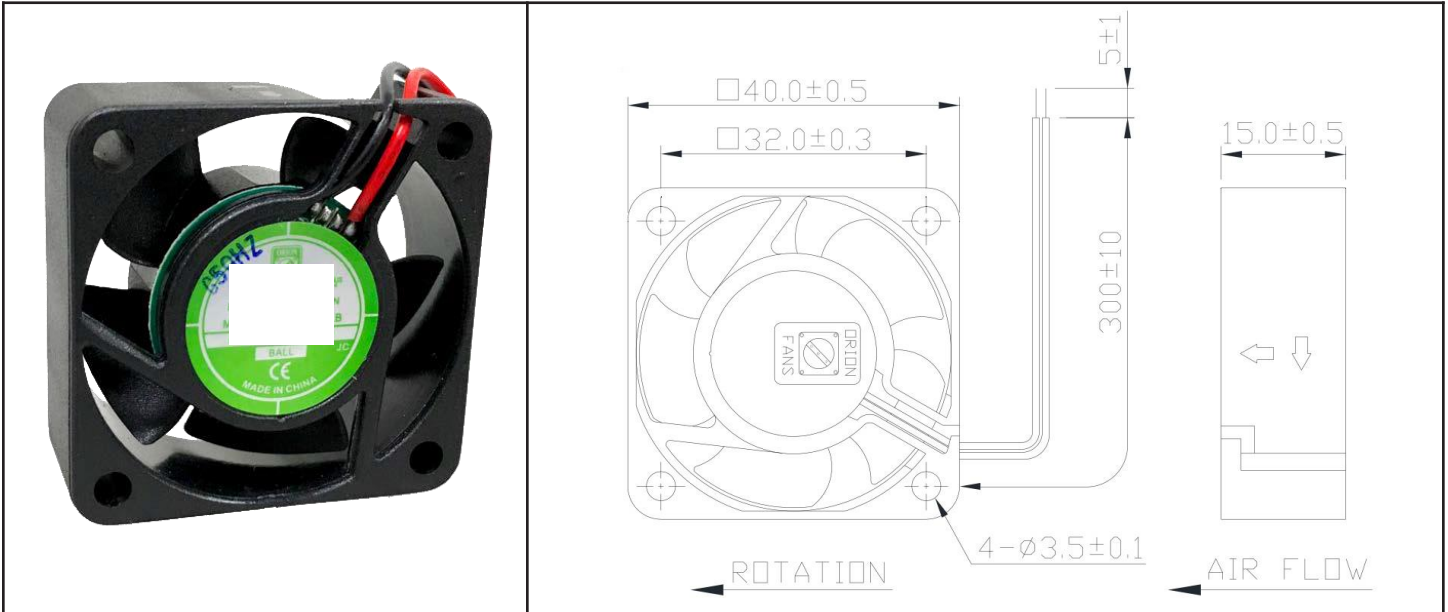


Model Number	
Part Number	146131001
Nominal Voltage	12 VDC
Voltage Range	9 ~ 13.2 VDC
Nominal Current	.088 A
Rated Power	1.44 Watts
Rated Speed (RPM)	7000
Airflow (CFM)	8.1
Noise Level (dB)	32
Max. Static Pressure	.23 "H ₂ O

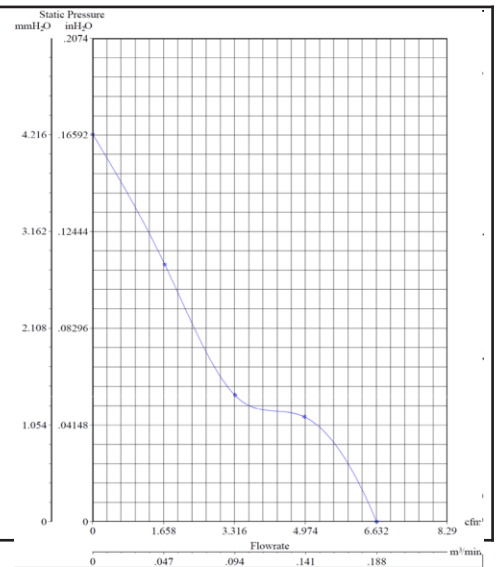


Frame & Impeller	PBT, UL94V-0 plastic	Available Options IP55 Other speeds and voltages Tachometer Alarm	
Connection	2x Lead wires *		
Motor	Brushless DC, auto restart, polarity protected.		
Bearing System	Dual ball bearing		
Insulation Resistance	Min. 10M at 500VDC	*Connection: Wire Leads - UL1007 26AWG Red(+), Black (-),	
Dielectric Strength	1 second at 500VAC max leakage 500 microamp		
Temperature Range	-10C ~ +70C	Weight: 24 g	
Storage Temperature	-40C ~ +80C		
Life (L10)	70,000 hours (40C)		

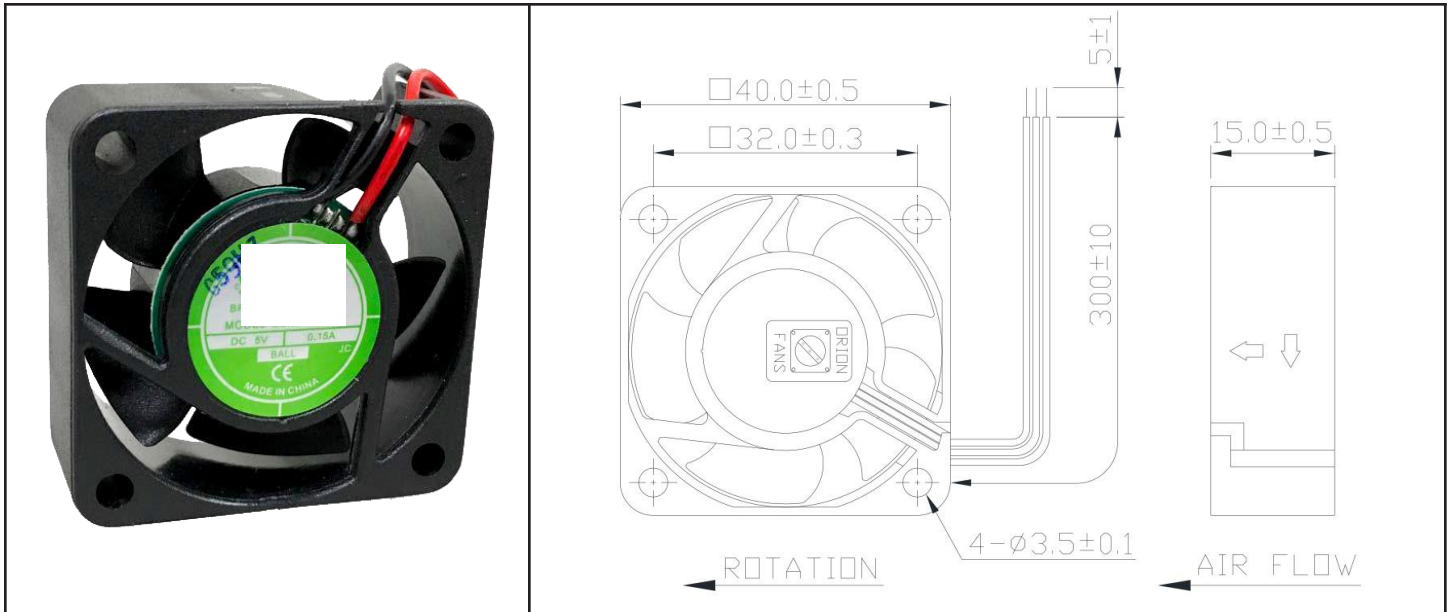
Model Number	
Part Number	146241001
Nominal Voltage	24 VDC
Voltage Range	17~ 26.4 VDC
Nominal Current	.06 A
Rated Power	1.92 Watts
Rated Speed (RPM)	8000
Airflow (CFM)	8.5
Noise Level (dB)	36
Max. Static Pressure	.25 "H ₂ O



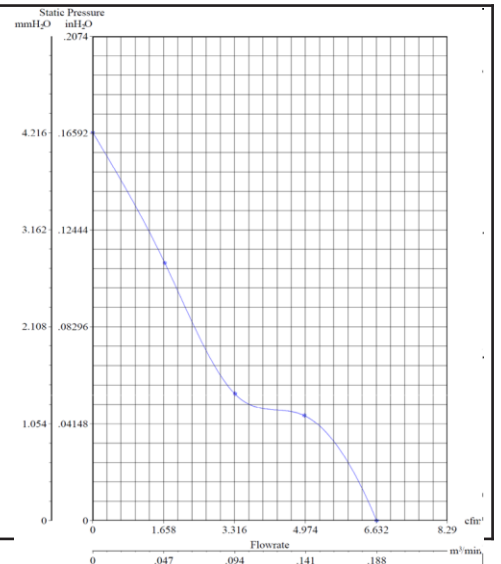
Frame & Impeller	PBT, UL94V-0 plastic	Available Options IP55 Other speeds and voltages Tachometer Alarm
Connection	2x Lead wires *	
Motor	Brushless DC, auto restart, polarity protected.	*Connection: Wire Leads - UL1007 26AWG Red(+), Black (-), Weight: 24 g
Bearing System	Dual ball bearing	
Insulation Resistance	Min. 10M at 500VDC	
Dielectric Strength	1 second at 500VAC max leakage 500 microamp	
Temperature Range	-10C ~ +70C	
Storage Temperature	-40C ~ +80C	
Life (L10)	70,000 hours (40C)	



Model Number	
Part Number	146221001
Nominal Voltage	24 VDC
Voltage Range	17~ 26.4 VDC
Nominal Current	.06 A
Rated Power	1.92 Watts
Rated Speed (RPM)	6000
Airflow (CFM)	6.8
Noise Level (dB)	29
Max. Static Pressure	.16 "H ₂ O

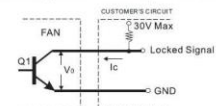


Frame & Impeller	PBT, UL94V-0 plastic	Available Options IP55 Other speeds and voltages Tachometer Alarm
Connection	3x Lead wires *	
Motor	Brushless DC, auto restart, polarity protected.	*Connection: Wire Leads - UL1007 26AWG Red(+), Black (-), Yellow Alarm
Bearing System	Dual ball bearing	
Insulation Resistance	Min. 10M at 500VDC	Weight: 24 g
Dielectric Strength	1 second at 500VAC max leakage 500 microamp	
Temperature Range	-10C ~ +70C	
Storage Temperature	-40C ~ +80C	
Life (L10)	70,000 hours (40C)	



Model Number	
Part Number	146221231
Nominal Voltage	24 VDC
Voltage Range	17~ 26.4 VDC
Nominal Current	.06 A
Rated Power	1.92 Watts
Rated Speed (RPM)	6000
Airflow (CFM)	6.8
Noise Level (dB)	29
Max. Static Pressure	.16 "H ₂ O

Output of locked signal
*Output type:..... Open collector type
*Electrical design suggestion:
(External signal function design is decided by customer)



*Transistor Q1 at "ON" position
Collector current..... $I_c=10\text{mA Max}$
Saturation Voltage..... $V_{ce}=1.0\text{V Max}$
(Between Collector and Emitter at $I_c=10\text{mA}$)
*Transistor Q1 at "OFF" position
Release Voltage..... $V_{ce}=30\text{V Max}$

