



# Datasheet

## RS PRO LED Battery Meter

Stock number: 180-9260 and 180-9262

EN

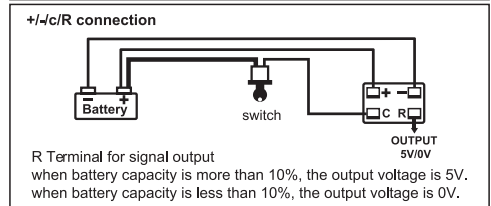
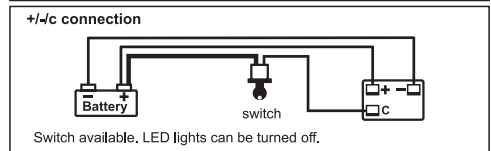
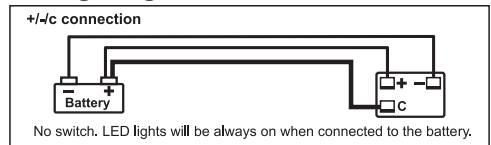
### Function description:

1. LED's Scan on power-up.  
(LED test mode)
2. The meter will automatically display the current battery power when connected to the battery.
3. When the battery voltage falls below the currently displayed LED bar for >155s, the highest LED segment switches off.  
The LED bar display function is that as the voltage level drops the LED segments switch off one by one, 155 seconds after the voltage falls below the threshold for the currently illuminated highest LED segment.
4. While charging, when the battery voltage increases above the voltage threshold of current LED bar for >200s the next LED segment illuminates.  
The charging status is shown from the first bar to the current bar.  
The LED bar display function is that as the voltage level increases the LED segments illuminate one by one, 200 seconds after the voltage increases above the threshold for the currently illuminated highest LED segment.
5. When disconnected then reconnected to battery, the meter will retest the current battery power and display the related voltage LED bar.

### Remarks:

1. Ensure the correct voltage is applied to the meter.  
Failure to apply the correct voltage will cause the indicator to malfunction or fail.
2. Ensure that terminal C is connected to positive pole of battery either directly or through a suitable key-switch as illustrated. If not the indicator will scan from full to empty then shut off.
3. Ensure the voltage matches the indicator. If not, red, yellow and green LED's will illuminate. If the applied voltage exceeds the meters maximum tolerated voltage the meter will fail

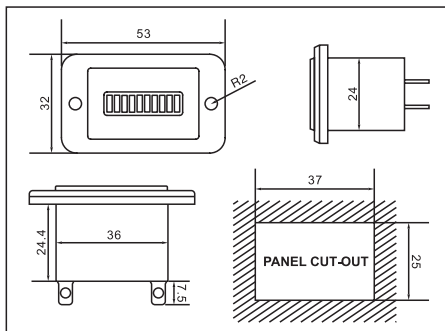
### Wiring Diagram:



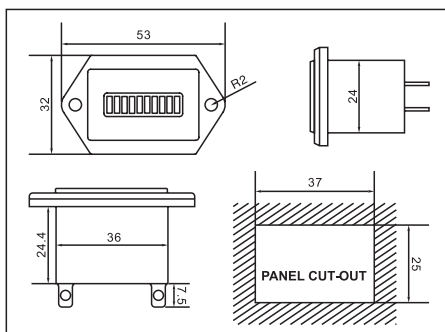
### Specifications:

|                       |  |
|-----------------------|--|
| Capacity              | 1 Red 2 Yellow 7 Green color LED for indicator |
| Resolution            | 10% per LED segment                            |
| Operating Voltage     | 12/24V, 36V, 48V, 72V                          |
| Operating current     | 20 mA nominal                                  |
| Storage and Operating | -20°C to + 85°C Temperature                    |
| Tolerance             | +/- 0.5%                                       |
| Polarity              | Positive/Negative/C (R option)                 |
| Case Style            | Front panel mount                              |

## Dimensions



RS180-9262



RS180-9260

## Working voltage of every LED bar

| Voltage              | ≤1                                       | 2                              | 3           | 4           | 5           | 6           | 7           | 8           | 9           | 10           |
|----------------------|--|--------------------------------|-------------|-------------|-------------|-------------|-------------|-------------|-------------|--------------|
| 12V                  | 10.38                                    | 10.59                          | 10.8        | 11.01       | 11.22       | 11.43       | 11.64       | 11.85       | 12.3        | ≥12.3        |
| 24V                  | 20.76                                    | 21.18                          | 21.6        | 22.02       | 22.44       | 22.86       | 23.28       | 23.7        | 24.6        | ≥24.6        |
| 36V                  | 31.14                                    | 31.77                          | 32.4        | 33.03       | 33.66       | 34.29       | 34.92       | 35.55       | 36.9        | ≥36.9        |
| 48V                  | 41.52                                    | 42.36                          | 43.2        | 44.04       | 44.88       | 45.72       | 46.56       | 47.4        | 49.2        | ≥49.2        |
| 72V                  | 62.28                                    | 63.54                          | 64.8        | 66.06       | 67.32       | 68.58       | 69.84       | 71.1        | 73.8        | ≥73.8        |
| Display Mode         | 1#—2# flash Alternately (frequency: 1Hz) | Only 2# flash (frequency: 1Hz) | Only 3# lit | Only 4# lit | Only 5# lit | Only 6# lit | Only 7# lit | Only 8# lit | Only 9# lit | Only 10# lit |
| Display color of LED | Red                                      | Yellow                         | Yellow      | Green       | Green       | Green       | Green       | Green       | Green       | Green        |
| Delay                | Delay 155s / bar                         |                                |             |             |             |             |             |             |             |              |

