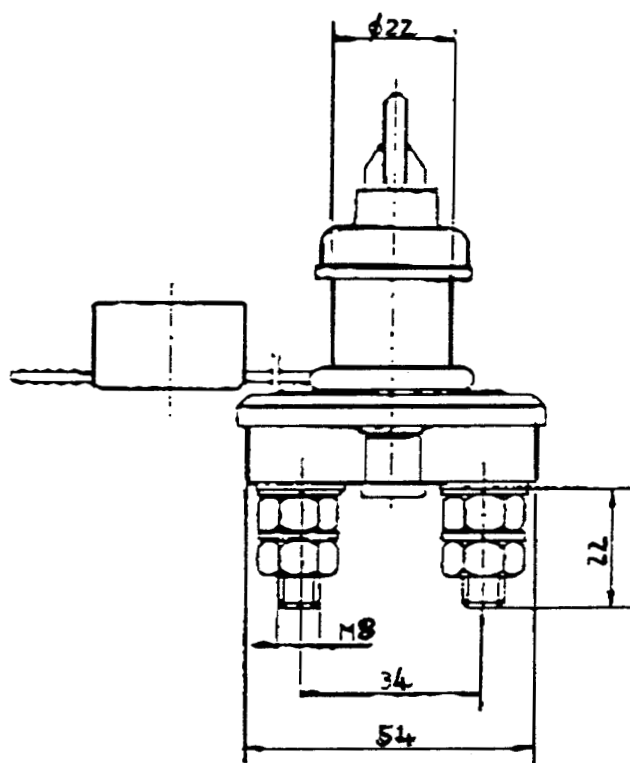
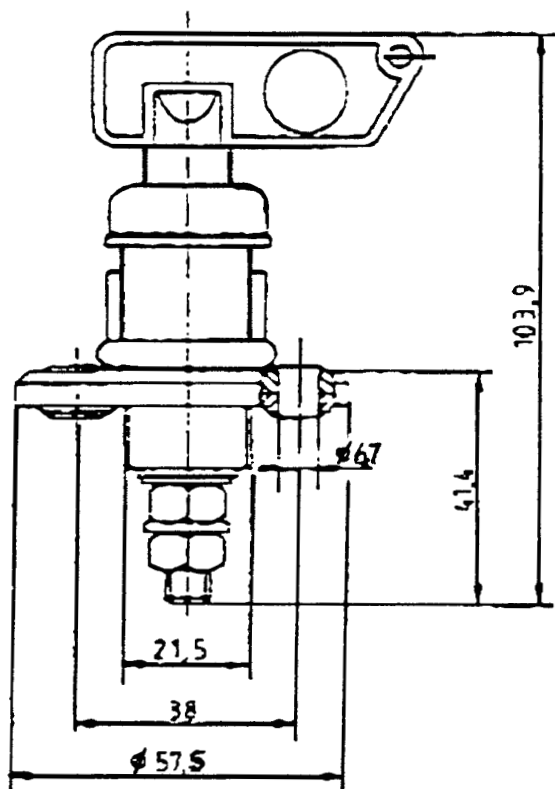


## 100A Battery Isolator Switch Details

Nominal Tension	Max 24V
Nominal Current	Max 100 A Continuous
High Load	500A/5 sec
Protection Degree	IP43 (IEC529)
Operating Temperature	40°C to +50°C
Terminal Contacts	Copper
Nuts	Steel zinc plated
Body	Thermoplastic



Mounting Hole Details

