

Datasheet

RS PRO 250 TYPE NON-INSULATED FEMALE DISCONNECTORS (LOOSE TYPE)

Stock number: **2055297**

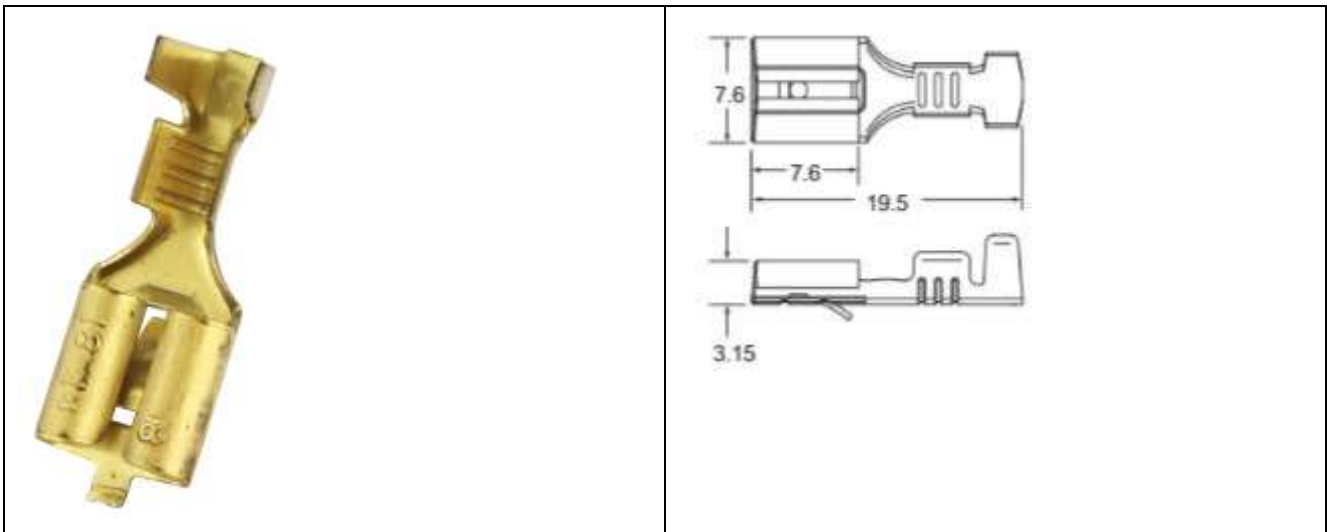
MAXIMUM ELECTRIC CURRENT:

A.W.G.	18	16	14
AMP.	15	18	25

TERMINAL MATERIAL: BRASS

TERMINAL SURFACE TREATMENT: NONE

THICKNESS: 0.40MM



WIRE RANGE A.W.G. mm ²	NEMA TAB	DIMENSION (mm)					MATERIAL	PLATINGS
		W	F	L	H	T		
18-14 A.W.G. 0.8-2.0 mm ²	.250 x .032 (6.35 x 0.8)	7.6 0	7.6 0	19.5 0	3.15 0	0.4 0	Brass	None