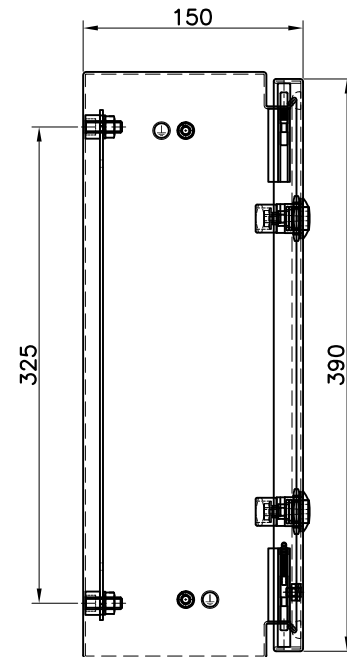
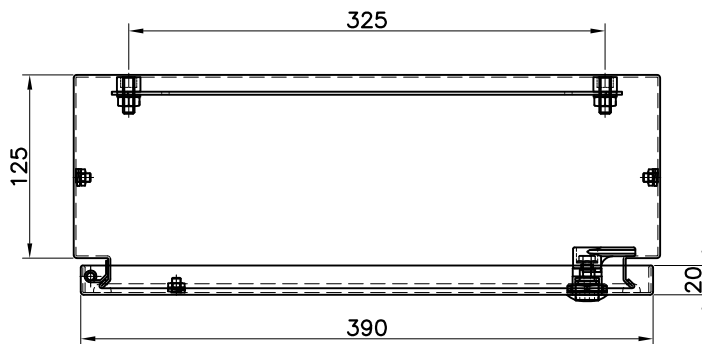


FRONT VIEW



SIDE VIEW



TOP VIEW

ALL DIMENSIONS ARE IN MILLIMETRES

| | | | |
|-----|---------------|------|------|
| | | | |
| | | | |
| No. | Revision note | Edit | Date |



| | | | |
|--------------------------------------|---------------------------------|--------------------------|-----------------|
| Date 16-01-2012 | Material 1.2mm S.S(AISI 304) | Finish NATURAL, CLEAN | Scale N.T.S. |
| STAINLESS STEEL BOX IP66 400x400x150 | | | |
| Ord. No. 7491832 | Sheet A4 | Tolerances ±0.2 | |