

# Datasheet

## Miniature Toggle Switch

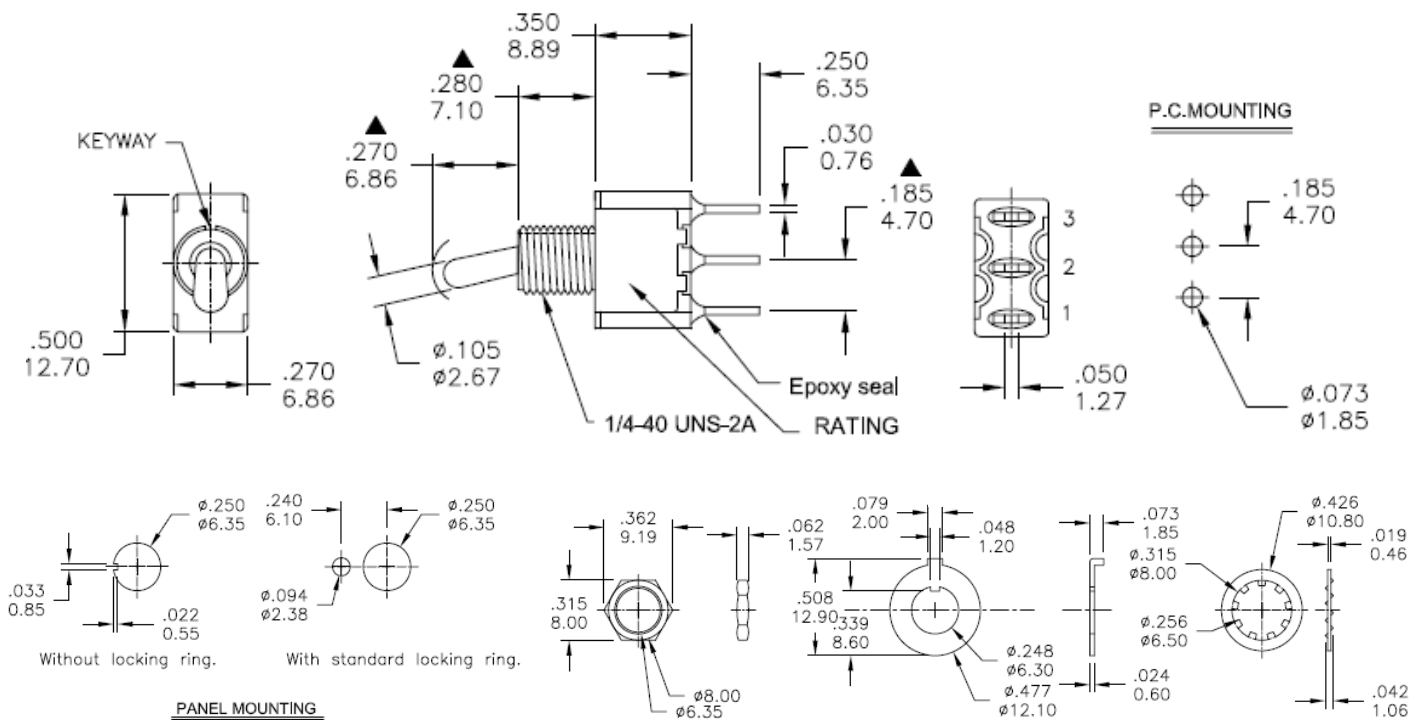
RS Stock number 734-7090



### Specifications:

MECHANICAL LIFE:	40,000 make-and-break cycles.
CONTACT RESISTANCE:	10mΩ max. initial @ 2-4VDC 100mA for both silver and gold plated contacts
INSULATION RESISTANCE:	1000MΩmin.
DIELECTRIC STRENGTH:	1,000Vrms min. @ sea level.
OPERATING TEMPERATURE:	-30°C to 85°C.
CASE:	Dially phthalate (DAP) UL94v-0)
ACTUATOR:	Brass, chrome plated
Bushing:	Brass, nickel plated
Housing:	Stainless steel
CONTACT/TERMINAL:	Silver or gold plated
Switch Support:	Brass, tin plated
RoHS:	2002/95/EC

**Dimensions – inch  
mm**



Model No.	POS.1	POS.2	POS.3
	1MS1	ON	NONE
Term. Comm.	2-3	N/A	2-1
SCHEMATIC			

**SWITCH FUNCTION**