



ENGLISH

Datasheet
Battery Holders & Mounts
Battery Holder for 4(D) Coil Spring Contact

RS Stock no. [594-426](#)



Specification:

RS Article No. 594-426

Body Material: PP

Dimensions: 149 x 71 x 28mm

For Battery Size: 4 x D

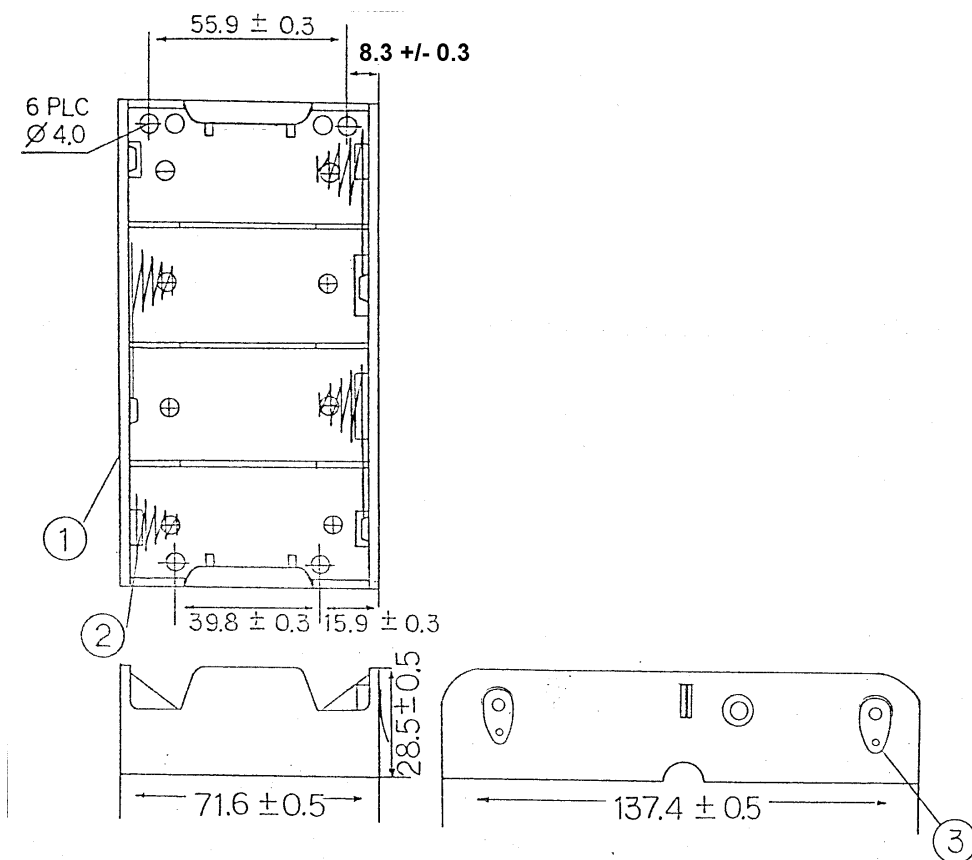
Number of Cells: 4 (D)

Terminal Contact Type: Coil Spring

Type: Battery Holder



Drawings:



No.	Part Name	Material	QTY	Notes
1	Cells	PP	1	Black
2	Steel Springs	SWB 60C Elastic Steel	4	Nickel Plated
3	Solder Lugs	Brass	1	Nickel Plated