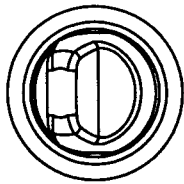
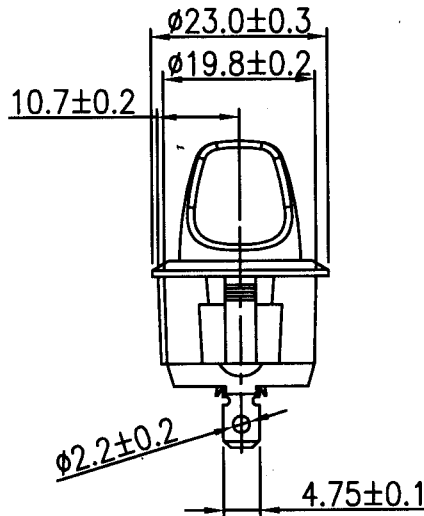
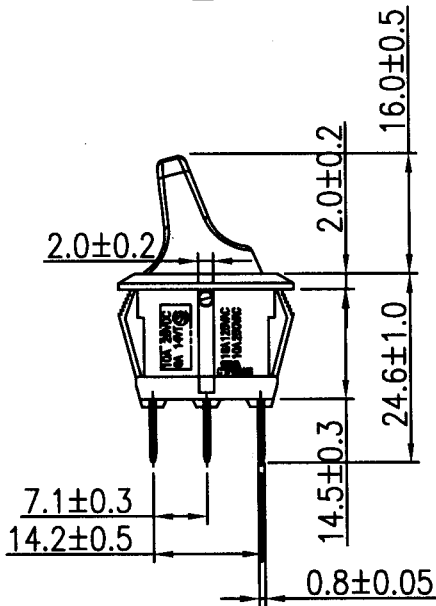
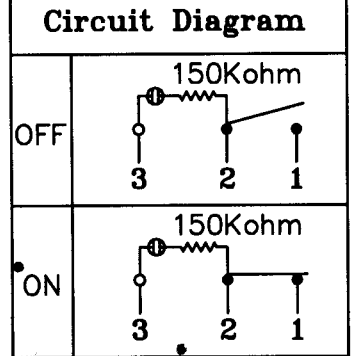


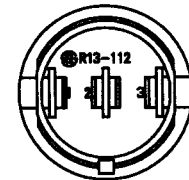
Rating	16A 125VAC, 10A 250VAC	Mounting Hole
	10A 28VDC, 6A 14VT	
	10(4)A 250V~	
Contact Resistance	50m ohm Max.	
Insulation Resistance	DC 500V 100M ohm Min.	
Dielectric Strength	AC 1500V 1 minute	
Operation Temperature	-20°C~85°C	
Switch Function	3P SPST ON-OFF (Illuminated)	



Material:
 Frame: Black, Nylon# 66
 Actuator: Yellow, PC
 Printed: None



C8\R13\R13-112BPW-02(1811969)



								△	
								△	
								NO	
Date	Name	Description							
Drawn	Checked	Approved	SCI BOM NO.	1811969	Model Name	ROCKER SWITCH			
曹盈芳			Customer No.		Model No.	R13-112BPW-02	REV.		
12/12/07			Unit	mm					0