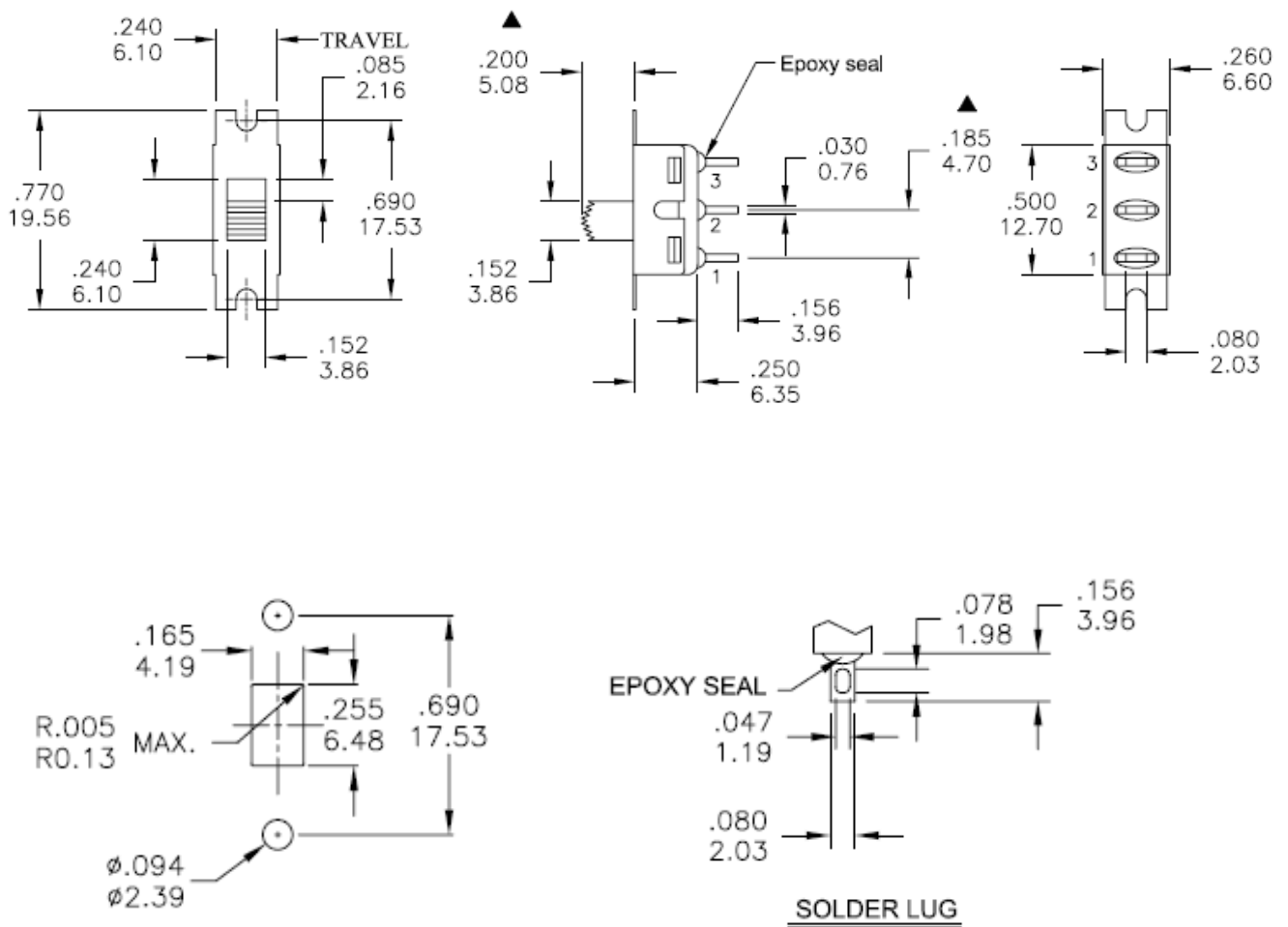


Datasheet

Panel Mount Slide Switch SPDT On-On 5 A @ 28V dc Top

RS Stock number [734-7312](#)

Drawing (mm):



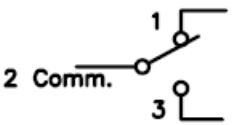
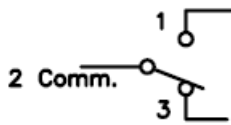


SPECIFICATIONS

- MECHANICAL LIFE:** 30,000 make-and-break cycles.
- CONTACT RESISTANCE:** 10mΩ max. initial @ 2-4VDC
100mA for both silver and gold plated contacts.
- INSULATION RESISTANCE:** 1,000MΩ min.
- DIELECTRIC STRENGTH:** 1,000 V RMS@sea level.
- OPERATING TEMPERATURE:** -30°C to 85°C.

MATERIALS

- CASE:** Dially phthalate (DAP) (UL94v-0).
- ACTUATOR:** Nylon,black std.
- HOUSING:** Stainless Steel.
- CONTACT:** Silver or gold plated.
- TERMINAL SEAL:** Epoxy.

Model No.	POS.1	POS.2	POS.3
			
5MS1	ON	NONE	ON
Term. Comm.	2-1	OPEN	2-3
SCHEMATIC			

SWITCH FUNCTION