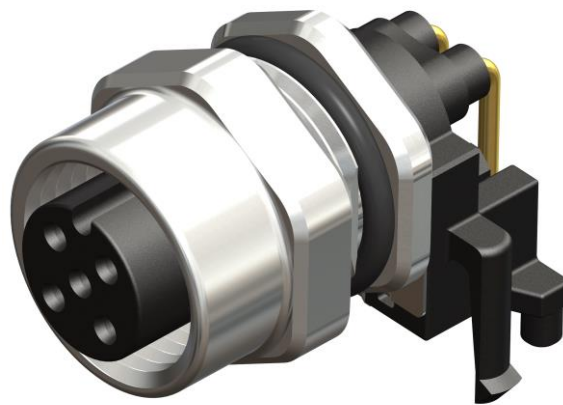


**Datasheet**

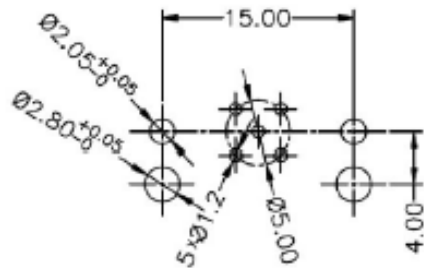
# RS PRO M12 Female PCB Panel Mount 4 Pin Connector

Part No: 2017182

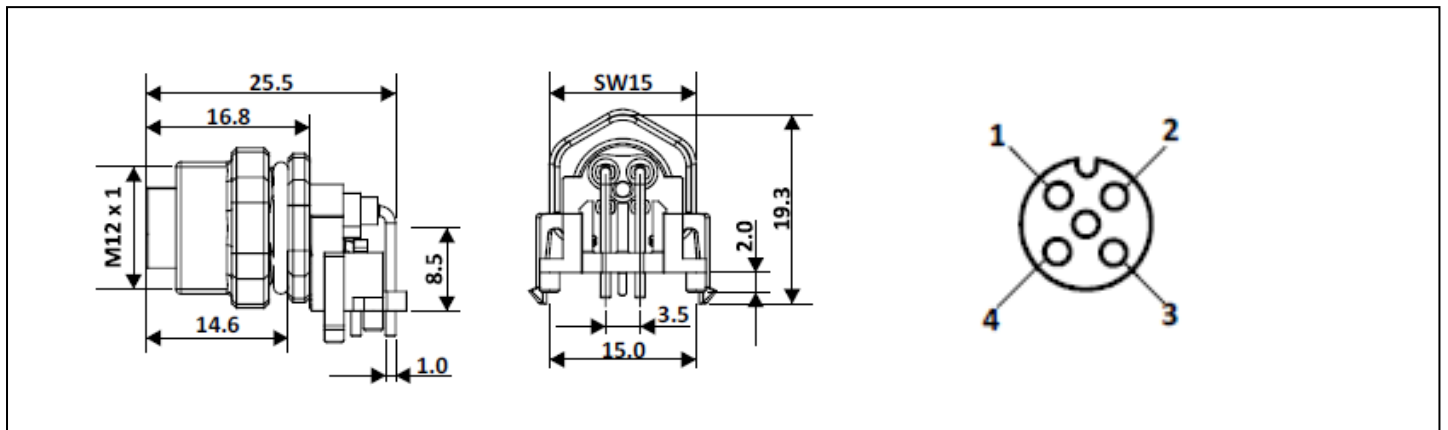

**Technical Specifications:**

Rated Operational Voltage	250 V
Current Rating	4 A
Insulation Resistance	≥100 MΩ
Temperature Range	-25° ... +75°C
Coding	A-Coded
Degree of Protection	IP67
Housing Material	Brass Ni Plated
Contact	Cu-Zn
Contact Plating	Gold Flash
Contact Carrier	Nylon 66
O-ring	Neoprene
Pole	4
Clamp Nut	Brass Ni Plated

## PCB Layout:



Recommended PCB Layout



## Quality Standard: IEC 61076-2-101

