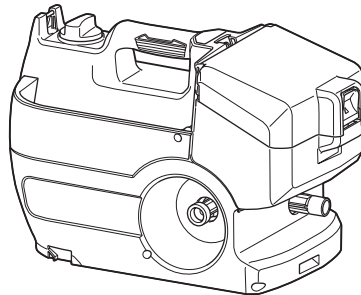




EN	Cordless High Pressure Washer	INSTRUCTION MANUAL	10
ZHCN	充电式高压清洗机	使用说明书	23
ID	Pembersih Bertekanan Tinggi Tanpa Kabel	PETUNJUK PENGGUNAAN	36
VI	Máy Xịt Rửa Áp Lực Cao Cầm Tay Hoạt Động Bằng Pin	TÀI LIỆU HƯỚNG DẪN	50
TH	เครื่องฉีดน้ำแรงดันสูงไร้สาย	คู่มือการใช้งาน	63

DHW080



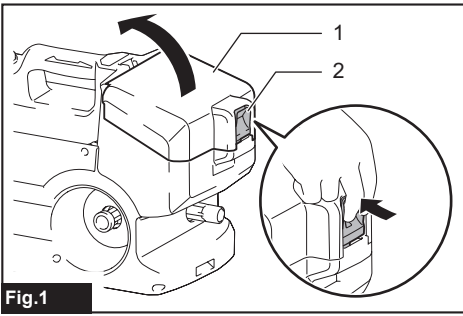


Fig.1

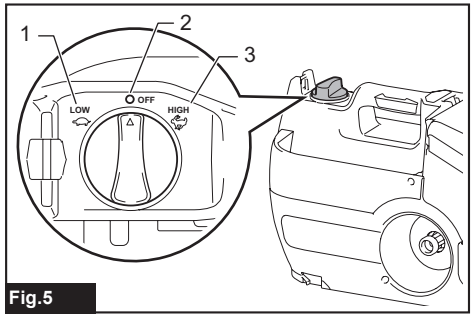


Fig.5

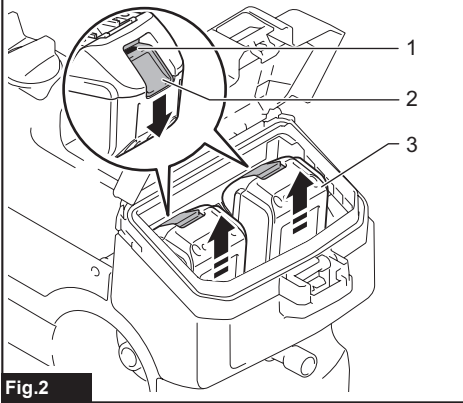


Fig.2

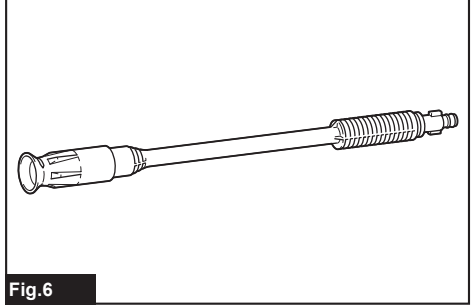


Fig.6

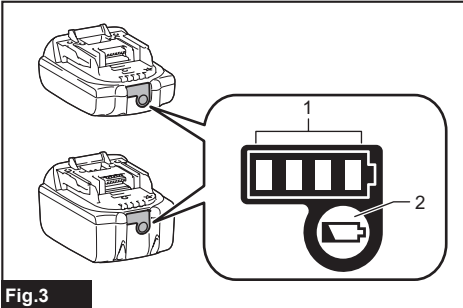


Fig.3

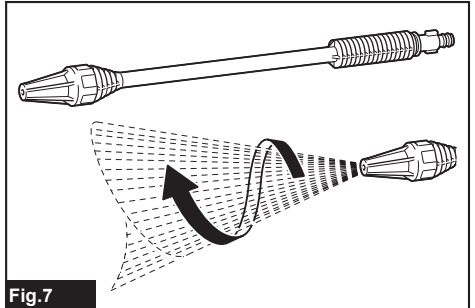


Fig.7

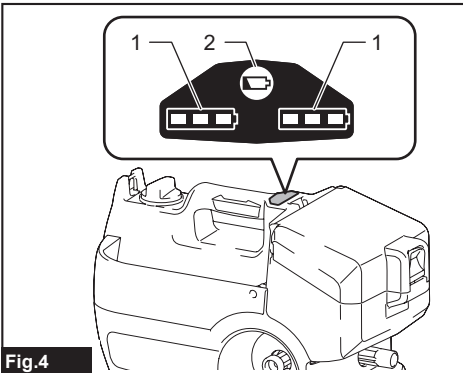


Fig.4

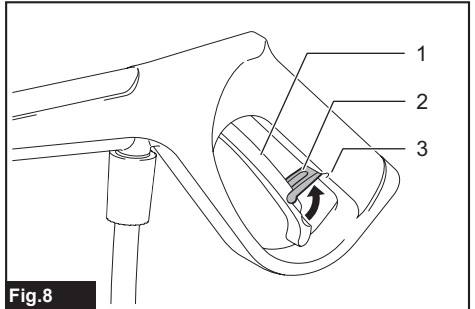


Fig.8

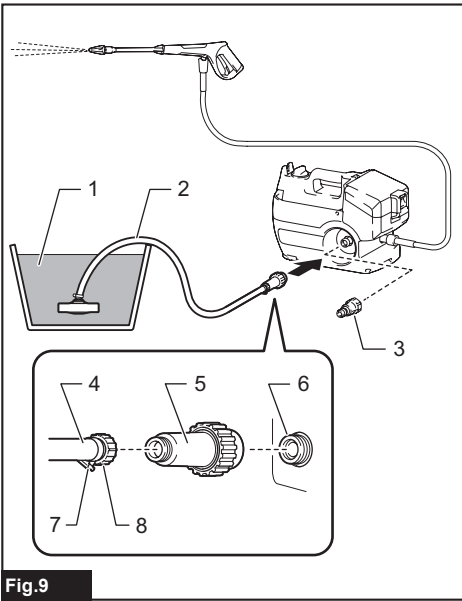


Fig.9

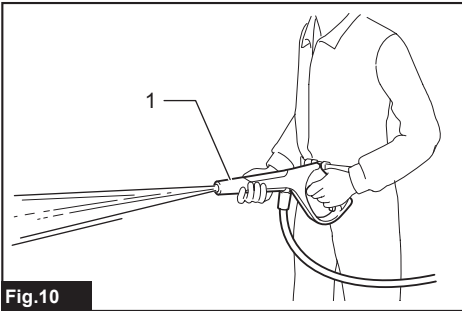


Fig.10

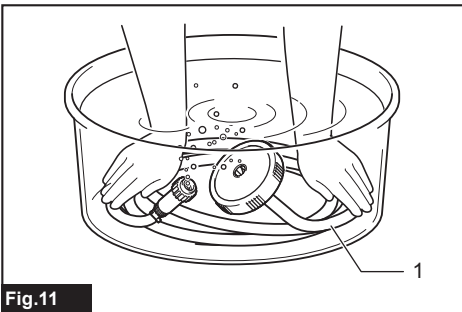


Fig.11

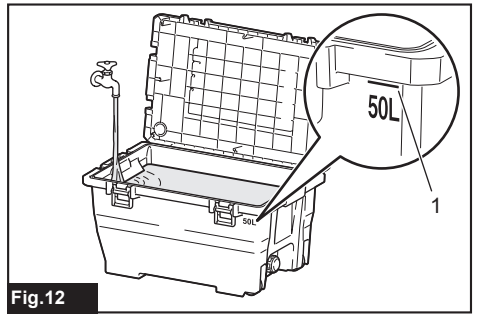


Fig.12

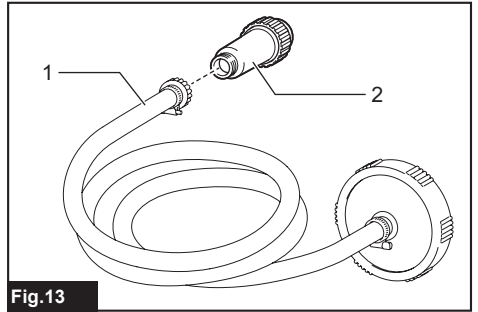


Fig.13

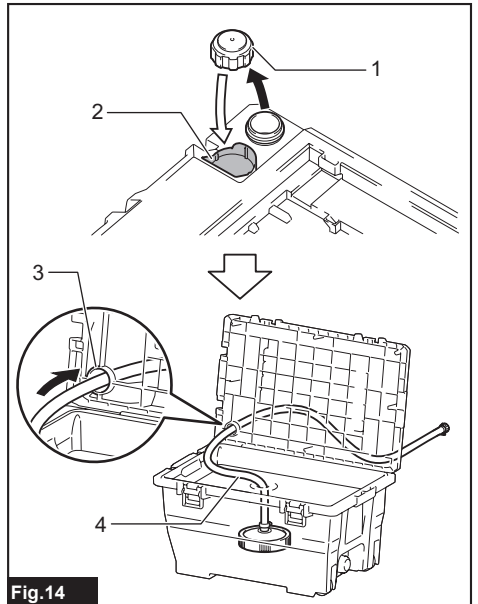
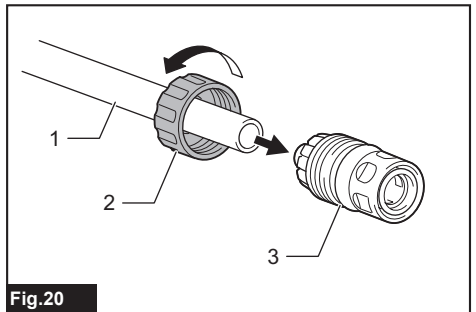
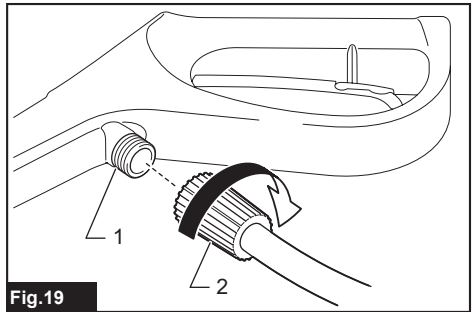
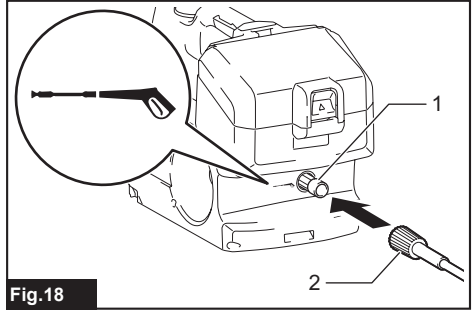
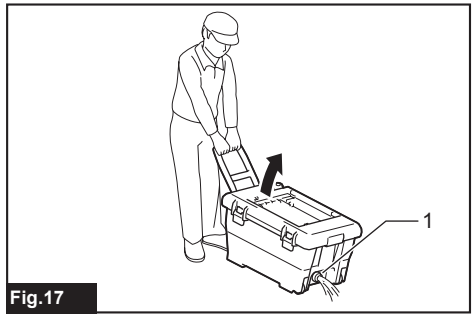
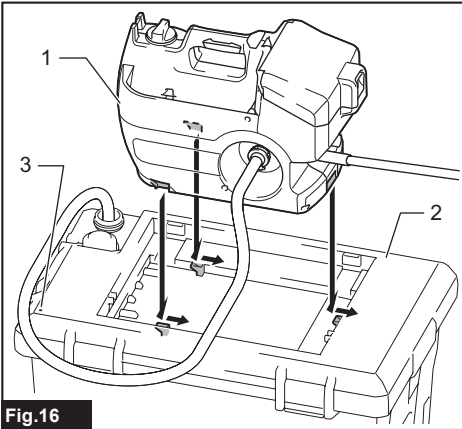
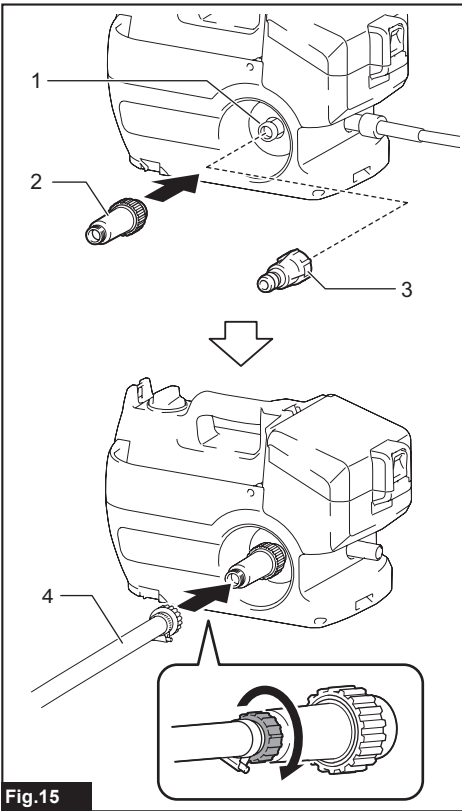


Fig.14



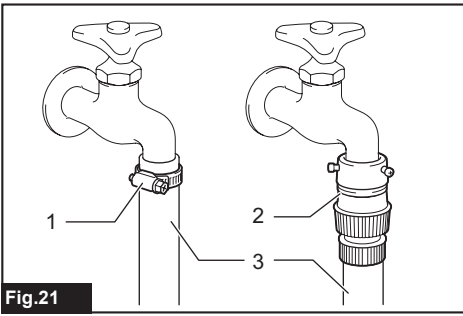


Fig.21

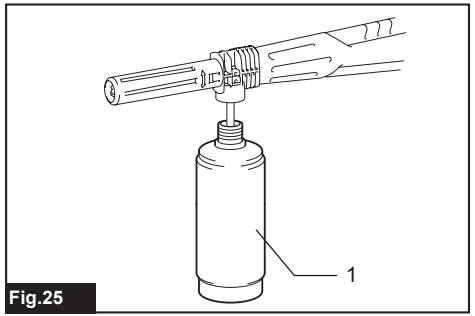


Fig.25

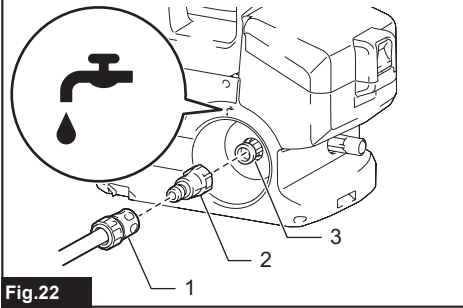


Fig.22

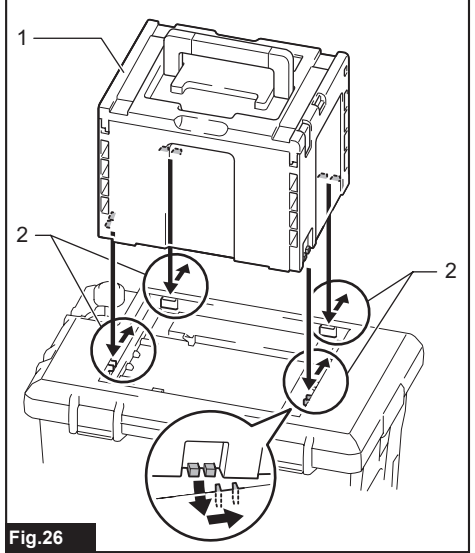


Fig.26

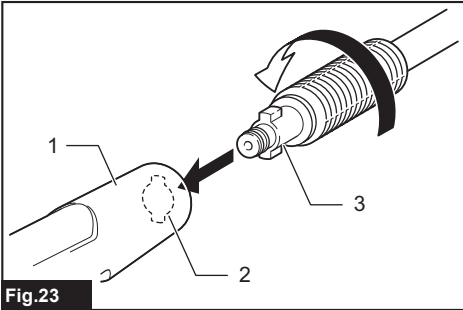


Fig.23

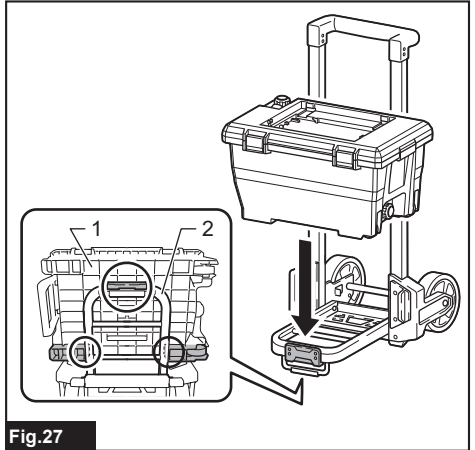


Fig.27

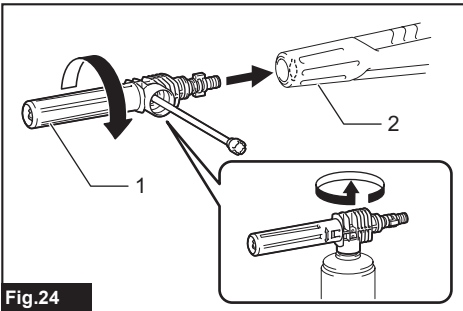
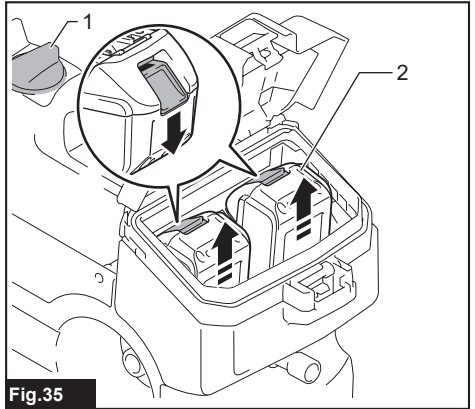
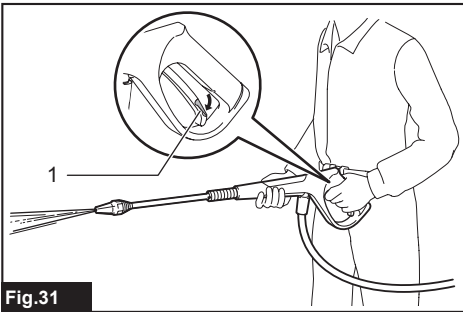
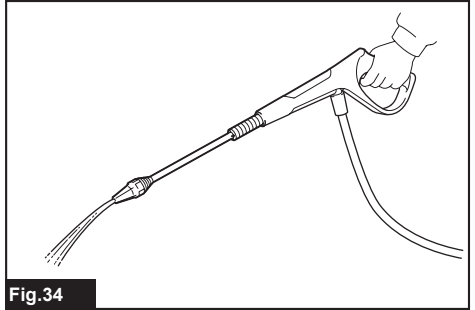
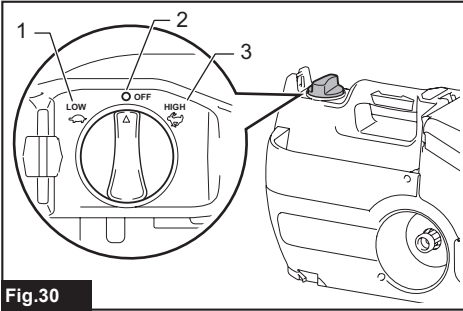
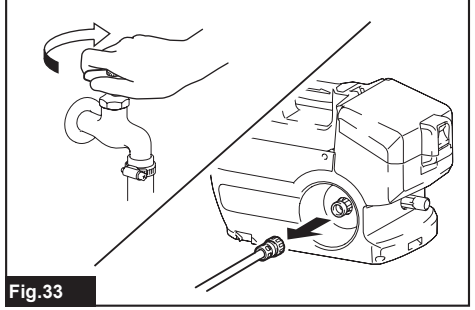
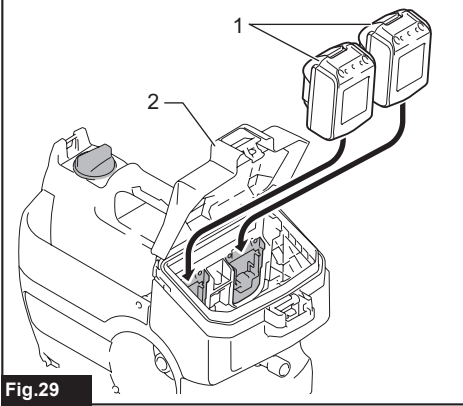
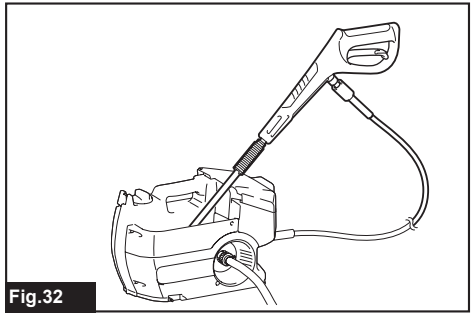
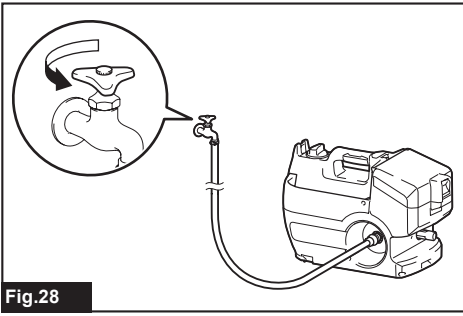
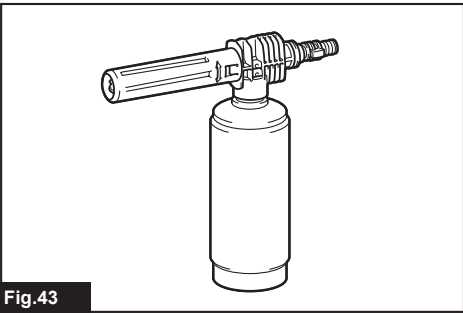
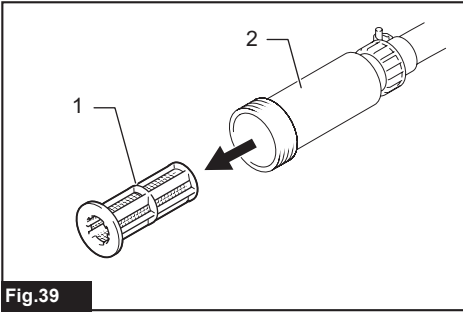
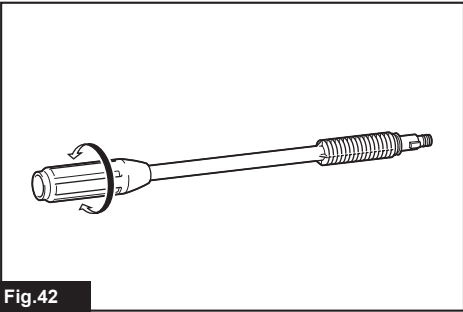
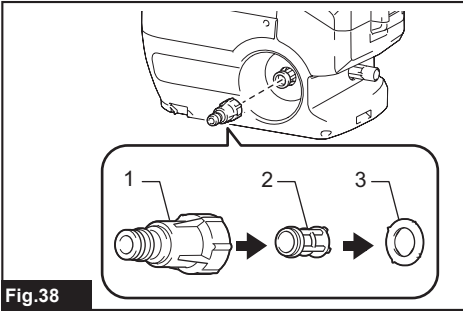
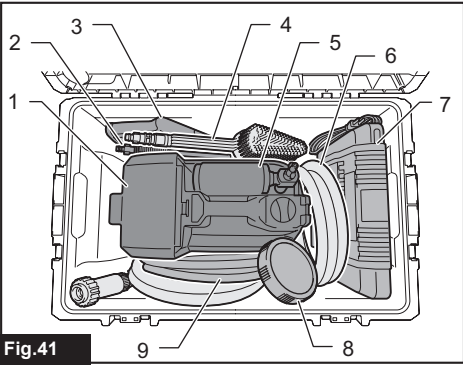
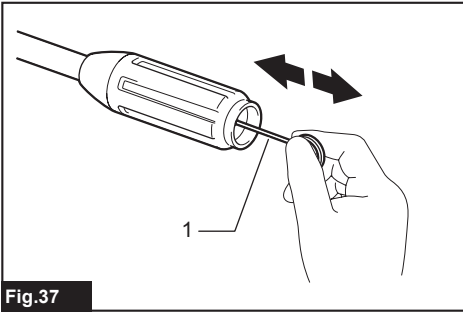
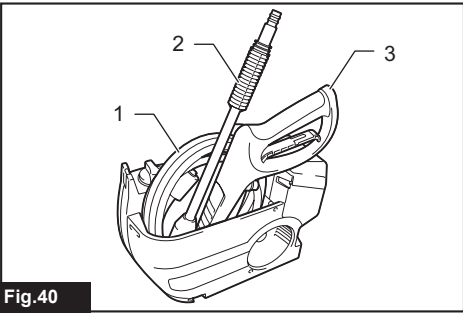
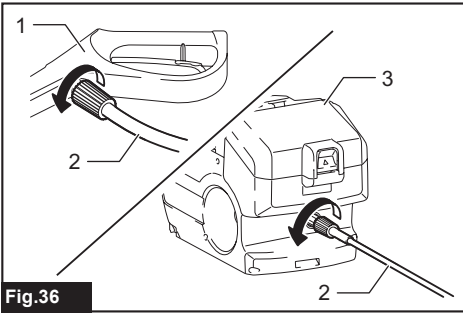


Fig.24





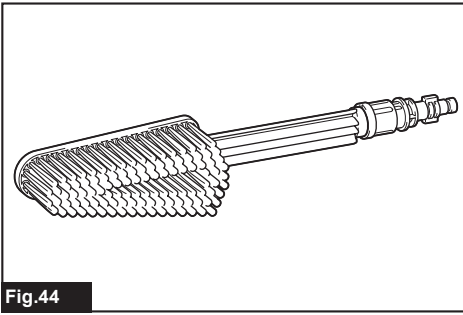


Fig.44

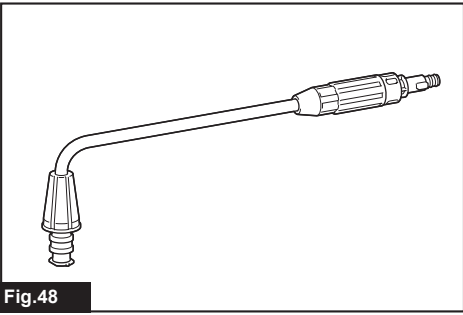


Fig.48

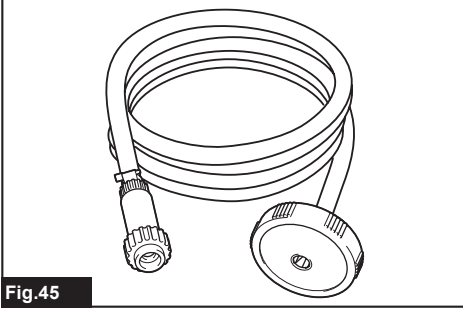


Fig.45

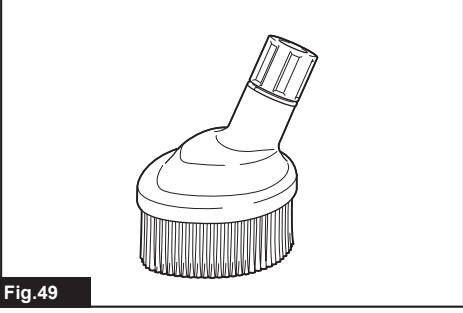


Fig.49

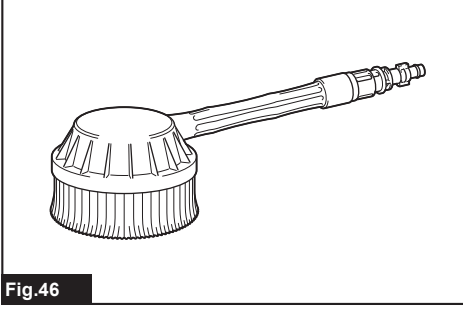


Fig.46

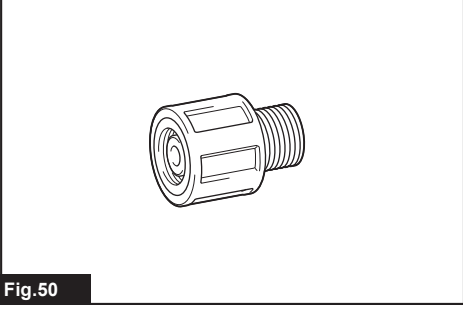


Fig.50

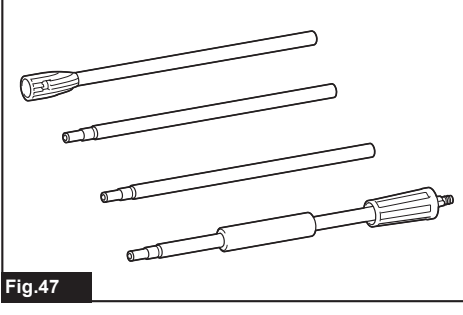


Fig.47

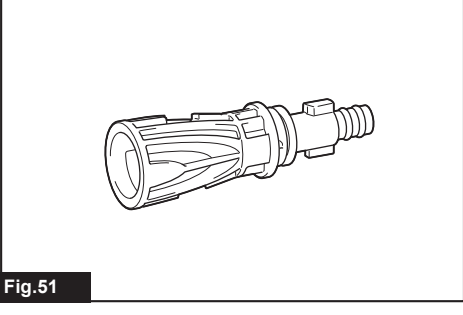


Fig.51

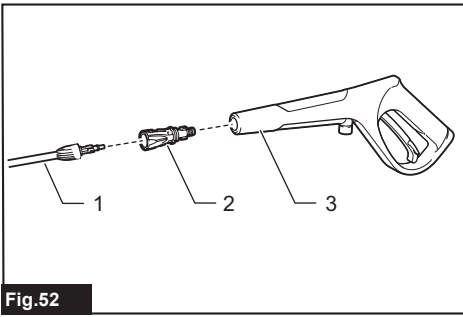


Fig.52

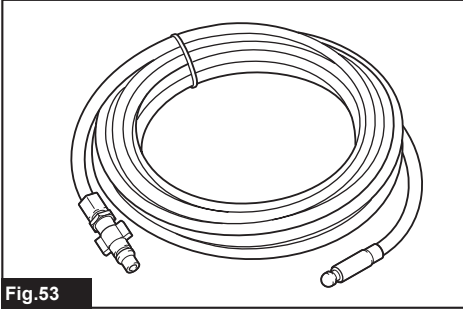


Fig.53

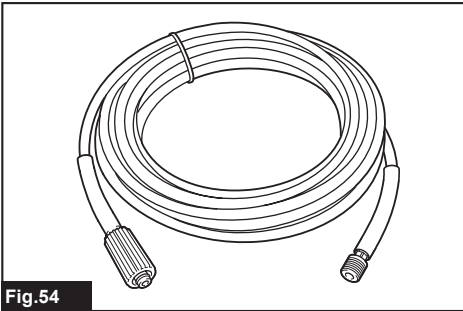


Fig.54

WARNING

- Machines shall not be used by children. Children should be supervised to ensure that they do not play with the machine.
- This machine is not intended for use by persons (including children) with reduced physical, sensory, or mental capabilities, or lack of experience and knowledge.
- This machine has been designed for use with the cleaning agent supplied or recommended by the manufacturer. The use of other cleaning agents or chemicals may adversely affect the safety of the machine.
- During use of high pressure cleaners, aerosols may be formed. Inhalation of aerosols can be hazardous to health.
- Depending on the application, shielded nozzles can be used for high pressure cleaning, which will reduce the emission of hydrous aerosols dramatically. However, not all applications allow the use of such a device. If shielded nozzles are not applicable for the protection against aerosols, a respiratory mask of class FFP 2 or equivalent may be needed, depending on the cleaning environment.
- The employer shall perform a risk assessment in order to specify the necessary protective measures regarding aerosols, depending on the surface to be cleaned and its environment. Respiratory masks of class FFP 2, an equivalent or higher are suitable for the protection against hydrous aerosols.
- High pressure jets can be dangerous if subject to misuse. The jet must not be directed at persons, live electrical equipment or the machine itself.
- Do not use the machine within range of persons unless they wear protective clothing.
- Do not direct the jet against yourself or others in order to clean clothes or foot-wear.
- Risk of explosion – Do not spray flammable liquids.
- High pressure cleaners shall not be used by children or untrained personnel.

- High pressure hoses, fittings and couplings are important for the safety of the machine. Use only hoses, fittings and couplings recommended by the manufacturer.
- To ensure machine safety, use only original spare parts from the manufacturer or approved by the manufacturer.
- Always be sure that the tool is switched off and battery cartridges are removed before carrying out any work on the tool.
- Do not use the machine if important parts of the machine are damaged, e.g. safety devices, high pressure hoses, trigger gun.
- Always remove the battery cartridges when leaving the machine unattended.
- Comply with the requirements of the local water supply company.
- For European countries:
According to EN12729 (BA), the appliance can also be connected to the mains drinking water supply if a backflow preventer valve with drain facility is installed in the supply hose.

SPECIFICATIONS

Model:		DHW080
Max. feed volume ^{*1}		6.3 L/min
Water flow rate ^{*2}	High mode	5.5 L/min
	Low mode	4.0 L/min
Max. permissible pressure		8.0 MPa
Working pressure ^{*2}	High mode	5.5 MPa
	Low mode	3.0 MPa
Max. feed pressure		1.0 MPa
Max. feed temperature		40 °C
Max. suction height		1 m
Rated voltage		D.C. 36 V
Dimensions (L x W x H)		438 mm x 218 mm x 269 mm
Weight		7.1 kg - 7.7 kg

*1 : When using the washing brush.

*2 : When using the spray lance.

- Due to our continuing program of research and development, the specifications herein are subject to change without notice.
- Specifications may differ from country to country.
- The weight may differ depending on the attachment(s), including the battery cartridge. The lightest and heaviest combination, according to EPTA-Procedure 01/2014, are shown in the table.

Applicable battery cartridge and charger

Battery cartridge	BL1815N / BL1820 / BL1820B / BL1830 / BL1830B / BL1840 / BL1840B / BL1850 / BL1850B / BL1860B
Charger	DC18RC / DC18RD / DC18RE / DC18SD / DC18SE / DC18SF / DC18SH

- Some of the battery cartridges and chargers listed above may not be available depending on your region of residence.

⚠ WARNING: Only use the battery cartridges and chargers listed above. Use of any other battery cartridges and chargers may cause injury and/or fire.

Symbols

The followings show the symbols which may be used for the equipment. Be sure that you understand their meaning before use.



Read the instruction manual.



Take particular care and attention.



Ni-MH
Li-Ion

Only for EU countries
Do not dispose of electric equipment or battery pack together with household waste material!
In observance of the European Directives, on Waste Electric and Electronic Equipment and Batteries and Accumulators and Waste Batteries and Accumulators and their implementation in accordance with national laws, electric equipment and batteries and battery pack(s) that have reached the end of their life must be collected separately and returned to an environmentally compatible recycling facility.



Do not connect to a potable water faucet.



Do not direct the jet at people including yourself, animals, and live electrical equipments.

Intended use

This tool is intended for cleaning stubborn dirt by using water jet. This tool is intended for household use.

IMPORTANT SAFETY WARNINGS

⚠ WARNING: Read all safety warnings and all instructions. Failure to follow the warnings and instructions may result in electric shock, fire and/or serious injury.

Save all warnings and instructions for future reference.

WARNING – When using this product, basic precautions should always be followed, including the following:

Work area safety

1. **Keep operating area clear of all persons.**
2. **Do not overreach or stand on unstable supports. Keep good footing and balance at all times.**
3. **Always place the high pressure washer body on a level and stable surface. Avoid areas where the ejected water will run or pool.**
4. **Before cleaning, check the surroundings and objects to be cleaned. High pressure jets can scrape away paint or other surface treatments including toxic chemicals. Take the preventive measures if necessary.**
5. **Be careful not to trip over by the hose of the high pressure washer. Always be aware of the configuration of the hose during operation.**
6. **During use, a small amount of water will come out from the bottom of the high pressure washer. Avoid locating the high pressure washer in the areas where you don't want to wet.**

Personal safety

1. **To protect against the jet and objects by the jet, operators should wear appropriate clothing such as safety boots, safety gloves, safety helmets with visors, hearing protection, etc.**
2. **Do not use the high pressure washer within range of persons unless they wear protective clothing.**
3. **To reduce the risk of injury, close supervision is necessary when the product is used near children.**
4. **If connection is made to a potable water system, the system shall be protected against backflow.**
5. **Water that has flowed through backflow preventer is considered to be non-potable.**

Electrical safety

1. **Never touch battery cartridges with wet hands.**
2. **Do not use the machine if the important parts of the machine are damaged, e.g. safety devices, high pressure hoses, or the trigger gun.**

Power tool use and care

1. **Read all the instructions before using the product.**
2. **Know how to stop the high pressure washer and bleed pressures quickly. Be thoroughly familiar with the controls.**
3. **High pressure jets can be dangerous if misused. The jet must not be directed at people, live electrical equipment, or the machine itself.**

4. This machine is not intended for use by persons (including children) with reduced physical, sensory, or mental capabilities, or lack of experience and knowledge.
 5. Children should be supervised to ensure that they do not play with the appliance.
 6. Do not spray flammable and/or toxic liquids. This may cause an explosion, intoxication, or damage to the machine.
 7. Do not direct the jet against yourself or others in order to clean clothes or foot-wear.
 8. High pressure hoses, fittings and couplings are important for the safety of the machine. Use only hoses, fittings and couplings recommended by the manufacturer.
 9. Follow the instructions when changing accessories.
 10. Keep handles dry, clean, and free of oil or grease.
 11. Stay alert – watch what you are doing.
 12. Do not operate the product when fatigued or under the influence of alcohol or drugs.
 13. Do not run the high pressure washer without water for longer than one minute. It will damage the motor, resulting in malfunction.
 14. Always turn off the power and shut off the water mains when leaving the high pressure washer unattended.
 15. Be wary of the kickback. The trigger gun recoils when the high pressure jet is ejected from the nozzle. Hold the trigger gun firmly to prevent accidental injuries.
 16. Check for damaged or worn parts before use. Also make sure that the hose is properly connected and there is no leakage during operation. Operating the machine with functional defects may cause an accident.
 17. This machine has been designed for use with the cleaning agent supplied or recommended by the manufacturer. The use of other cleaning agents or chemicals may adversely affect the safety of the machine.
 18. Do not pull the hose to move the high pressure washer body. This will damage the hose and connecting parts and result in a short circuit or functional defects.
 19. Do not put heavy objects on the hose or let vehicles drive over it.
 20. Always discharge the residual pressure in the trigger gun before disconnecting the hose.
 21. When connecting the hose to the water mains, observe the instructions of your local waterworks department or company.
 22. If the high pressure washer is dropped or hits against an hard object, be sure to check for damage and crack. Using the high pressure washer damaged may generate smoke, fire, or cause electric shock, which result in personal injury.
 23. During use of high pressure cleaners, aerosols may be formed. Inhalation of aerosols can be hazardous to health.
 24. Depending on the application, shielded nozzles can be used for high pressure cleaning, which will reduce the emission of hydrous aerosols dramatically. However, not all applications allow the use of such a device. If shielded nozzles are not applicable for the protection against aerosols, a respiratory mask of class FFP 2 or equivalent may be needed, depending on the cleaning environment.
 25. The employer shall perform a risk assessment in order to specify the necessary protective measures regarding aerosols, depending on the surface to be cleaned and its environment. Respiratory masks of class FFP 2, an equivalent or higher are suitable for the protection against hydrous aerosols.
 26. Prevent unintentional starting. Ensure the switch is in the off-position before connecting to battery pack, picking up or carrying the appliance. Carrying the appliance with your finger on the switch or energizing appliance that have the switch on invites accidents.
 27. Disconnect the battery pack from the appliance before making any adjustments, changing accessories, or storing appliance. Such preventive safety measures reduce the risk of starting the appliance accidentally.
 28. Do not modify or attempt to repair the appliance or the battery pack except as indicated in the instructions for use and care.
 29. **WARNING – Risk of Injection or Injury– Do Not Direct Discharge Stream At Persons.**
- Battery tool use and care**
1. **Recharge only with the charger specified by the manufacturer.** A charger that is suitable for one type of battery pack may create a risk of fire when used with another battery pack.
 2. **Use power tools only with specifically designated battery packs.** Use of any other battery packs may create a risk of injury and fire.
 3. **When battery pack is not in use, keep it away from other metal objects, like paper clips, coins, keys, nails, screws or other small metal objects, that can make a connection from one terminal to another.** Shorting the battery terminals together may cause burns or a fire.
 4. **Under abusive conditions, liquid may be ejected from the battery; avoid contact.** If contact accidentally occurs, flush with water. If liquid contacts eyes, additionally seek medical help. Liquid ejected from the battery may cause irritation or burns.
 5. **Do not use a battery pack or tool that is damaged or modified.** Damaged or modified batteries may exhibit unpredictable behaviour resulting in fire, explosion or risk of injury.
 6. **Do not expose a battery pack or tool to fire or excessive temperature.** Exposure to fire or temperature above 130 °C may cause explosion.
 7. **Follow all charging instructions and do not charge the battery pack or tool outside the temperature range specified in the instructions.** Charging improperly or at temperatures outside the specified range may damage the battery and increase the risk of fire.

Service

1. Follow the maintenance instructions specified in the manual.
2. To ensure machine safety, use only original spare parts from the manufacturer or approved by the manufacturer.
3. Have your high pressure washer serviced by a qualified repair person using only identical replacement parts. This will ensure that the safety of the high pressure washer is maintained.
4. In case of breakdown or malfunction of the high pressure washer, immediately switch it off and remove the battery cartridge(s). Contact your local dealer or service center.

Additional safety warnings

1. Comply with the requirements of the local water supply company.
2. Do not use the tool when there is a risk of lightning.
3. When you use the tool on muddy ground, wet slope, or slippery place, pay attention to your footing.
4. Avoid working in poor environment where increased user fatigue is expected.
5. Do not replace the battery in the rain.
6. Do not submerge the tool into a puddle.
7. Do not leave the tool unattended outdoors in the rain.
8. When wet leaves or dirt adhere to the suction mouth (ventilation window) due to rain, remove them.
9. Do not wash the tool with high pressure water.
10. When washing the tool, do not let water enter the electrical mechanism such as battery, motor, and terminals.
11. When storing the tool, avoid direct sunlight and rain, and store it in a place where it does not get hot or humid.
12. Perform inspection or maintenance in a place where rain can be avoided.
13. After using the tool, remove the adhered dirt and dry the tool completely before storing.
Depending on the season or the area, there is a risk of malfunction due to freezing.
14. Do not wet the terminal of battery with liquid such as water, or submerge the battery. Do not leave the battery in the rain, nor charge, use, or store the battery in a damp or wet place. If the terminal gets wet or liquid enters inside of battery, the battery may be short circuited and there is a risk of overheat, fire, or explosion.
15. After removing the battery from the tool or charger, be sure to attach the battery cover to the battery and store it in a dry place.
16. Do not replace the battery with wet hands.

Additional safety warnings

1. Comply with the requirements of the local water supply company.
2. Do not use a corded power supply such as battery adapter or portable power pack with this appliance. The cable of such power supply may hinder the operation and result in personal injury.

SAVE THESE INSTRUCTIONS.

⚠WARNING: DO NOT let comfort or familiarity with product (gained from repeated use) replace strict adherence to safety rules for the subject product.

MISUSE or failure to follow the safety rules stated in this instruction manual may cause serious personal injury.

Important safety instructions for battery cartridge

1. Before using battery cartridge, read all instructions and cautionary markings on (1) battery charger, (2) battery, and (3) product using battery.
2. Do not disassemble battery cartridge.
3. If operating time has become excessively shorter, stop operating immediately. It may result in a risk of overheating, possible burns and even an explosion.
4. If electrolyte gets into your eyes, rinse them out with clear water and seek medical attention right away. It may result in loss of your eyesight.
5. Do not short the battery cartridge:
 - (1) Do not touch the terminals with any conductive material.
 - (2) Avoid storing battery cartridge in a container with other metal objects such as nails, coins, etc.
 - (3) Do not expose battery cartridge to water or rain.A battery short can cause a large current flow, overheating, possible burns and even a breakdown.
6. Do not store the tool and battery cartridge in locations where the temperature may reach or exceed 50 °C (122 °F).
7. Do not incinerate the battery cartridge even if it is severely damaged or is completely worn out. The battery cartridge can explode in a fire.
8. Be careful not to drop or strike battery.
9. Do not use a damaged battery.
10. The contained lithium-ion batteries are subject to the Dangerous Goods Legislation requirements.
For commercial transports e.g. by third parties, forwarding agents, special requirement on packaging and labeling must be observed.
For preparation of the item being shipped, consulting an expert for hazardous material is required. Please also observe possibly more detailed national regulations.
Tape or mask off open contacts and pack up the battery in such a manner that it cannot move around in the packaging.
11. When disposing the battery cartridge, remove it from the tool and dispose of it in a safe place. Follow your local regulations relating to disposal of battery.

12. **Use the batteries only with the products specified by Makita.** Installing the batteries to non-compliant products may result in a fire, excessive heat, explosion, or leak of electrolyte.
13. **If the tool is not used for a long period of time, the battery must be removed from the tool.**

SAVE THESE INSTRUCTIONS.

⚠ CAUTION: Only use genuine Makita batteries. Use of non-genuine Makita batteries, or batteries that have been altered, may result in the battery bursting causing fires, personal injury and damage. It will also void the Makita warranty for the Makita tool and charger.

Tips for maintaining maximum battery life

1. **Charge the battery cartridge before completely discharged. Always stop tool operation and charge the battery cartridge when you notice less tool power.**
2. **Never recharge a fully charged battery cartridge. Overcharging shortens the battery service life.**
3. **Charge the battery cartridge with room temperature at 10 °C - 40 °C (50 °F - 104 °F). Let a hot battery cartridge cool down before charging it.**
4. **Charge the battery cartridge if you do not use it for a long period (more than six months).**

FUNCTIONAL DESCRIPTION

⚠ CAUTION: Always be sure that the tool is switched off and the battery cartridge is removed before adjusting or checking function on the tool.

Installing or removing battery cartridge

⚠ CAUTION: Always switch off the tool before installing or removing of the battery cartridge.

⚠ CAUTION: Hold the tool and the battery cartridge firmly when installing or removing battery cartridge. Failure to hold the tool and the battery cartridge firmly may cause them to slip off your hands and result in damage to the tool and battery cartridge and a personal injury.

To install the battery cartridge, open the cover while pushing the lock lever. Align the tongue on the battery cartridge with the groove in the housing and slip it into place. Insert it all the way until it locks in place with a little click. If you can see the red indicator on the upper side of the button, it is not locked completely. After installing or removing the battery cartridges, be sure to close the cover.

► **Fig.1:** 1. Cover 2. Lock lever

To remove the battery cartridges, lift the battery cartridge while pushing the button on the front of the cartridge.

► **Fig.2:** 1. Red indicator 2. Button 3. Battery cartridge

⚠ CAUTION: Always install the battery cartridge fully until the red indicator cannot be seen. If not, it may accidentally fall out of the tool, causing injury to you or someone around you.

⚠ CAUTION: Do not install the battery cartridge forcibly. If the cartridge does not slide in easily, it is not being inserted correctly.

⚠ CAUTION: Be sure to lock the cover before operating.

Tool / battery protection system

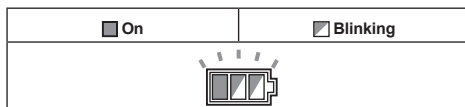
The tool is equipped with a tool/battery protection system. This system automatically cuts off power to the motor to extend tool and battery life. The tool will automatically stop during operation if the tool or battery is placed under one of the following conditions:

Overload protection

When the battery is operated in a manner that causes it to draw an abnormally high current, the tool automatically stops without any indication. In this situation, turn the tool off and stop the application that caused the tool to become overloaded. Then turn the tool on to restart.

Overheat protection

When the tool is overheated, the tool stops automatically and the battery indicator blinks. In this situation, let the tool cool down before turning the tool on again.



Overdischarge protection

When the battery capacity is not enough, the tool stops automatically. In this case, remove the battery from the tool and charge the battery.

Indicating the remaining battery capacity

Only for battery cartridges with the indicator

► **Fig.3:** 1. Indicator lamps 2. Check button

Press the check button on the battery cartridge to indicate the remaining battery capacity. The indicator lamps light up for a few seconds.

Indicator lamps			Remaining capacity
Lighted	Off	Blinking	
			75% to 100%
			50% to 75%
			25% to 50%
			0% to 25%
			Charge the battery.
			The battery may have malfunctioned.

NOTE: Depending on the conditions of use and the ambient temperature, the indication may differ slightly from the actual capacity.

Indicating the remaining battery capacity

NOTE: The battery indicator does not light when the power switch is in OFF position. To check the remaining battery capacity, turn the power switch to high or low pressure mode.

Press the check button to indicate the remaining battery capacities. The battery indicators correspond to each battery.

► **Fig.4:** 1. Battery indicator 2. Check button

Battery indicator status			Remaining battery capacity
On	Off	Blinking	
			50% to 100%
			20% to 50%
			0% to 20%
			Charge the battery

Power switch

NOTICE: Do not turn the power switch forcibly. This may cause the switch to malfunction.

Turn the power switch clockwise or counterclockwise depending on the pressure level. Turn the power switch clockwise for high pressure mode, counterclockwise for low pressure mode.

► **Fig.5:** 1. Low pressure mode 2. OFF position 3. High pressure mode

NOTE: The battery indicators will light up for a few seconds when turning the power switch to high or low pressure mode.

Nozzle functions

NOTE: The standard nozzles vary depending on the country. Also refer to the OPTIONAL ACCESSORIES section for other nozzles.

Spray lance

Country specific

► **Fig.6**

Jet width can be adjusted from 0° to 25° by rotating the front end of the nozzle.

CAUTION: When adjusting the jet width, do not rotate the nozzle while pulling it toward the trigger gun. The nozzle may come off from the trigger gun and cause a personal injury.

Dirt blaster

Country specific

► **Fig.7**

A spiral jet is ejected. Suitable for removing stubborn dirt.

NOTICE: Do not use the dirt blaster to clean fragile surfaces such as windows or car bodies.

Trigger operations

Pull the trigger to eject a water jet. The jet continues as long as the trigger is squeezed.

The trigger can be locked for safe handling of the trigger gun. To lock the trigger, pull out the stopper and hook it to the groove on the grip.

► **Fig.8:** 1. Trigger 2. Stopper 3. Groove

NOTICE: To avoid mechanical error in the pressure switch, always leave a two-second interval between trigger operations.

Safety valve

This appliance is equipped with a safety valve that prevents undue overpressure. When the trigger is released, the valve opens and the water recirculates through the pump inlet.

CAUTION: Do not tamper with or adjust the safety valve setting.

Supplying water from a tank/reservoir

You can supply water from a tank or reservoir instead of a faucet.

Replace the water hose connector with the suction hose set. When connecting the suction hose set, disconnect the filter case from the hose and attach the filter case to the inlet of the high pressure washer. Then, connect the hose to the filter case.

NOTE: When removing/connecting the hose from/to the filter case, turn the sleeve while holding the hose so that the hose does not rotate with the sleeve.

► **Fig.9:** 1. Tank/reservoir 2. Suction hose set 3. Water hose connector 4. Hose 5. Filter case 6. Inlet on the high pressure washer 7. Hose band 8. Sleeve

CAUTION: When attaching the sleeve to the filter case, be careful not to hurt your hand by the hose band.

NOTICE: Always use Makita's suction hose set.

NOTICE: Always keep 1 m (3.28 ft) or less in height between the inlet of the high pressure washer and the water surface. Otherwise, the high pressure washer will be unable to take the water up into the pump.

To introduce water into the hose, remove the nozzle from the trigger gun and switch on the high pressure washer while the trigger is squeezed. Once water is ejected stably from the trigger gun, release the trigger and attach the nozzle for your purpose.

► **Fig.10:** 1. Trigger gun

NOTE: When water is not ejected, detach the suction hose set and soak it in water. Then reconnect it to the high-pressure washer.

► **Fig.11:** 1. Suction hose set

When using the container as a water tank

You can use the container supplied with the high pressure washer (country specific) as a water tank.

1. Empty the container and feed water in it.

► **Fig.12:** 1. Full water level line

NOTICE: Do not feed water above the full water level line.

NOTICE: The lid of the container is not a tight seal type. Be careful not to spill the water in the container when carrying.

2. Disconnect the filter case from the hose of the suction hose set.

► **Fig.13:** 1. Hose 2. Filter case

3. Remove the cap on the feed-water inlet and pass the suction hose set through the inlet as illustrated.

► **Fig.14:** 1. Cap 2. Cap holder 3. Feed-water inlet 4. Suction hose set

NOTE: The cap on the feed-water inlet can be rest on the cap holder.

4. Remove the water hose connector from the inlet of the high pressure washer. After that, connect the filter case to the inlet and then hose to the filter case.

► **Fig.15:** 1. Inlet of the high pressure washer 2. Filter case 3. Water hose connector 4. Hose

5. Put the high pressure washer onto the container so that it is secured with the mounts on the lid of the container.

► **Fig.16:** 1. High pressure washer 2. Lid 3. Air bleeding hole

NOTICE: Pay attention to the handling of the container when carrying. Carrying the container with high pressure washer and accessories or water inside may cause accident or personal injury due to its own weight.

NOTICE: When carrying the container, do not shake, turnover, or lean it excessively. Doing so may cause;

- the water inside spilled out;
- the high pressure washer on the lid dropped off from the container or;
- the rotation of the container's wheels hindered.

NOTICE: When carrying the container by the handle, water may spill out if there is plenty of water inside.

NOTICE: Water may come out from the air bleeding hole if the water inside reaches to the air bleeding hole by tilting the container.

NOTICE: Do not step on the container. The lid may be broken.

NOTICE: Do not leave the container filled with water for a long time. Doing so may cause the container damaged and result in water leakage.

After use, follow the procedure below:

1. Remove the cap on the drain outlet and discharge water.

► **Fig.17:** 1. Drain outlet

2. Wipe off the moisture inside of the container using a cloth and then dry the container completely.

NOTICE: Do not store the high pressure washer and the accessories while the inside of the container is wet. Remaining moisture may cause malfunction and rust.

ASSEMBLY

CAUTION: Always be sure that the tool is switched off and the battery cartridge is removed before carrying out any work on the tool.

Connecting the high-pressure hose

Connect the high-pressure hose to the outlet (with the gun marking). Turn the nut on the high-pressure hose clockwise while screwing it onto the screw thread of the outlet.

► **Fig.18:** 1. Outlet 2. Nut

CAUTION: Make sure that the high-pressure hose is securely connected. A loose connection may blow the high-pressure hose off, resulting in a personal injury.

Attaching the trigger gun

Connect the high-pressure hose to the inlet on the trigger gun. Turn the nut on the high-pressure hose clockwise while screwing it onto the screw thread on the inlet.

► **Fig.19:** 1. Inlet 2. Nut

CAUTION: Make sure that the high-pressure hose is securely connected. A loose connection may blow the high-pressure hose off, resulting in a personal injury.

Connecting to a faucet

CAUTION: Always use a pressure-resistant water hose with \varnothing 13 mm or larger diameter and connect to the faucet using a proper fittings. Otherwise, the water hose and/or the fitting may break and cause personal injury.

NOTICE: Use a pressure-resistant water hose as short as possible. The amount of intake water should be higher than the max feed volume of the pump.

NOTICE: If you connect to the mains for drinking water, use a backflow preventer valve which meets the regulations in your region.

Prepare a pressure-resistant water hose. Attach the coupling sleeve to one end and connect the other end to the faucet as follows.

1. Remove the nut on the coupling sleeve and pass the pressure-resistant water hose through the nut. Insert the end of the hose into the coupling sleeve and then tighten the nut.

► **Fig.20:** 1. Pressure-resistant water hose 2. Nut of the coupling sleeve 3. Coupling sleeve

NOTE: If you want to connect the pressure-resistant water hose to the faucet using a coupling sleeve, prepare another coupling sleeve and attach it to the other end of the hose.

2. Connect the pressure-resistant water hose to the faucet. Apply a suitable fitting such as hose band or water tap joint to secure the hose end with the faucet.

► **Fig.21:** 1. Hose band 2. Water tap joint 3. Pressure-resistant water hose

NOTE: The fitting depends on the shape of the faucet to which you connect. Prepare a suitable commercially-bought fitting.

3. Attach the water hose connector to the inlet (with the faucet marking) and then insert the coupling sleeve.

► **Fig.22:** 1. Coupling sleeve 2. Water hose connector 3. Inlet on the high pressure washer

Connecting/disconnecting the nozzle

CAUTION: Always lock the trigger of the trigger gun when connecting/disconnecting the nozzle.

Insert the end of the nozzle into the slot on the trigger gun and turn it in the direction of the arrow as shown in the figure. To disconnect the nozzle, turn the nozzle in the reverse direction while pressing it toward the trigger gun.

► **Fig.23:** 1. Trigger gun 2. Slot 3. End of the nozzle

Connecting the foam nozzle

Optional accessory

CAUTION: Always lock the trigger of the trigger gun when connecting/disconnecting the nozzle.

Prepare detergent before using the foam nozzle.

1. Remove the nozzle from the tank by rotating the nozzle counterclockwise. Attach the nozzle to the trigger gun.

► **Fig.24:** 1. Nozzle 2. Trigger gun

2. Pour the detergent into the tank and install it to the nozzle.

► **Fig.25:** 1. Tank

NOTICE: Always use neutral detergent. Acidic or alkaline detergent may damage the tank or nozzle.

Placing plastic carrying case onto the container

Optional accessory

You can place Makita plastic carrying case on the top of the container. Put the plastic carrying case onto the container so that it is secured with the mounts on the lid of the container.

► **Fig.26:** 1. Plastic carrying case 2. Mount

Placing the container onto the trolley

Optional accessory

When carrying the container with Makita trolley, place the container in position. Be sure that the bottom of the container fits into the platform of the trolley.

► **Fig.27:** 1. Bottom surface of the container
2. Platform of the trolley

CAUTION: When using the trolley, do not carry the container filled with water. Doing so may lose the balance and result in personal injury or cause deformation of the container which leads to water leakage.

OPERATION

WARNING: Do not touch the water jet or direct it toward yourself or others. The water jet is dangerous and can hurt you or others.

WARNING: When shooting the water jet, never hold the object that you are cleaning or place your hands and feet near the water jet.

CAUTION: Stay alert to the rebound of the water jet and blown objects. Do not bring the nozzle to the object closer to 30 cm .

CAUTION: Do not run the high pressure washer without water for longer than 1 minute.

CAUTION: Do not operate the high pressure washer for an extended period of time. This may cause overheating or fire. Also, long-term use may cause vibration disorder.

CAUTION: Be aware of the direction of the wind. If the detergent gets into your eyes or mouth, rinse with fresh water immediately and seek medical attention if necessary.

NOTICE: Avoid using the high pressure washer for longer than 1 hour. After using it for 1 hour, leave a same length of intermission.

NOTICE: To protect the mechanism of the high pressure washer, do not use water hotter than 40°C.

1. Connect one end of the high-pressure hose to the trigger gun and the other end to the high pressure washer.

2. Connect the high pressure washer and the faucet using a water hose. After that, open the faucet.

► **Fig.28**

3. Open the cover and install the battery cartridges into the high pressure washer and then lock the cover.

► **Fig.29:** 1. Battery cartridge 2. Cover

4. Turn the power switch to your desired mode.

► **Fig.30:** 1. Low pressure mode 2. OFF position
3. High pressure mode

5. To eject a water jet, unlock the stopper and squeeze the trigger. The jet continues as long as the trigger is squeezed.

► **Fig.31:** 1. Stopper

CAUTION: Hold the trigger gun firmly. The trigger gun recoils when you pull the trigger.

CAUTION: Always hold the trigger gun by the grip and barrel when ejecting water jet.

NOTICE: Be careful not to pull the trigger gun forcibly during operation. It may cause the high pressure washer to fall over.

NOTICE: When suspending the operation for a long time, switch off the high pressure washer and squeeze the trigger to discharge the remaining water fully.

If the high pressure washer is left for a long time while maintaining high pressure, it may not restart. In this situation, switch off the high pressure washer, supply water from a faucet to the inlet and squeeze the trigger with keeping the water supply for a while. And then, switch on the high pressure washer.

When you suspend the operation, you can temporarily place the trigger gun as shown in the figure.

► **Fig.32**

After use

CAUTION: After operating the high pressure washer, always perform the procedure described in this manual. Residual pressure in the trigger gun or high pressure washer can cause personal injury or damage to the pump inside.

1. Switch off the high pressure washer.

2. Close the faucet and disconnect the water hose from the high pressure washer.

► **Fig.33**

3. Switch on the high pressure washer again.

4. Squeeze the trigger until the remaining water in the high pressure washer is discharged.

► **Fig.34**

NOTICE: Do not run the motor for longer than 1 minute.

5. Switch off the high pressure washer and remove the battery cartridges.

► **Fig.35:** 1. Power switch 2. Battery cartridge

6. Disconnect the high-pressure hose from the trigger gun and the high pressure washer.

► **Fig.36:** 1. Trigger gun 2. High-pressure hose 3. High-pressure washer

NOTICE: To prevent the high-pressure hose from being damaged, remove the remaining water in the hose before storing.

MAINTENANCE & STORAGE

CAUTION: Always be sure that the tool is switched off and battery cartridge is removed before attempting to perform inspection or maintenance.

NOTICE: Never use gasoline, benzine, thinner, alcohol or the like. Discoloration, deformation or cracks may result.

To maintain product SAFETY and RELIABILITY, repairs, any other maintenance or adjustment should be performed by Makita Authorized or Factory Service Centers, always using Makita replacement parts.

Cleaning the nozzle

Use the cleaner pin to remove dirt from or unclog the nozzle.

► **Fig.37:** 1. Cleaner pin

NOTICE: Do not remove dirt or debris forcibly. This may result in personal injury or damage to the ejection hole causing deviated jet angles or poor performance.

Cleaning the filter

Detach the water hose connector and remove dirt and debris from the inside of the filter.

► **Fig.38:** 1. Water hose connector 2. Filter 3. Sealing ring

When using the suction hose set (optional accessory), take the filter out of the filter case and remove dirt and debris.

► **Fig.39:** 1. Filter 2. Filter case

NOTE: To maintain the optimal performance, clean the filter periodically.

Storage

CAUTION: Always store in an indoor location where the temperature does not go below freezing. If the high pressure washer freezes and malfunctions, contact your local service center for repairs.

Store the accessories in the side pocket of the high pressure washer.

Storage example

► **Fig.40:** 1. High-pressure hose 2. Nozzle 3. Trigger gun

If your model is supplied with the container, store the high pressure washer and accessories in it.

Storage example

► **Fig.41:** 1. High pressure washer 2. Nozzle 3. Trigger gun 4. Washing brush 5. Foam nozzle 6. High-pressure hose 7. Charger 8. Suction hose set 9. Pressure-resistant water hose

NOTE: Some accessories shown in the illustration are supplied as optional accessories in some countries.

TROUBLESHOOTING

Before asking for repairs, conduct your own inspection first. If you find a problem that is not explained in the manual, do not attempt to dismantle the tool. Instead, ask Makita Authorized Service Centers, always using Makita replacement parts for repairs.

State of abnormality	Probable cause (malfunction)	Remedy
The washer does not start.	No electricity	Install charged battery cartridges.
	The switch is not turned on.	Turn on the switch.
	Residual pressure in the pump	Pull the trigger.
	Damaged battery or electric circuit	Contact an authorized service center for repairs.
	The high pressure washer has been left for long time while maintaining high pressure.	Switch off the high pressure washer, supply water from a faucet to the inlet and squeeze the trigger with keeping the water supply for a while. And then, switch on the high pressure washer.

State of abnormality	Probable cause (malfunction)	Remedy
No water jet / weak water jet	No water supply	Make sure that the faucet is open. If using the suction hose set, introduce water into the hose.
	Poor water supply	Turn on the faucet.
	Poor water hose connection	Check the connection between the high pressure washer and the water faucet.
	Clogged hose, filter, or nozzle	Unclog the hose, filter, or nozzle.
	Air is blocking the flow of water.	Turn off the switch and then turn it on again while squeezing the trigger.
	Damaged or worn nozzle	Replace the nozzle.
	Pump or valve malfunction	Contact an authorized service center for repairs.
Unstable water jet	Clogged nozzle	Unclog on the ejection hole of the nozzle using the cleaner pin.
	Poor water suction	Check the water hose starting from the faucet for any leakage or clogs. Turn on the faucet.
	The water is too hot.	Supply cooler water.
	Valve malfunction	Contact an authorized service center for repairs.
Abnormal sound	The water is too hot.	Supply cooler water.
	Air is stuck in the pump.	Contact an authorized service center for repairs.
Water leakage	Poor connection	Check the connection between the high pressure washer and trigger gun and as well as the water faucet.
	Worn out sealings	Contact an authorized service center for repairs.

OPTIONAL ACCESSORIES

CAUTION: These accessories or attachments are recommended for use with your Makita tool specified in this manual. The use of any other accessories or attachments might present a risk of injury to persons. Only use accessory or attachment for its stated purpose.

If you need any assistance for more details regarding these accessories, ask your local Makita Service Center.

NOTE: Some items in the list may be included in the tool package as standard accessories. They may differ from country to country.

Vario-Power spray lance

► Fig.42

Jet pressure can be adjusted by rotating the nozzle.

CAUTION: When adjusting the jet pressure, do not rotate the nozzle while pulling it toward the trigger gun. The nozzle may come off from the trigger gun and cause a personal injury.

Foam nozzle

Country specific

► Fig.43

Detergent can be sprayed as foam.

Washing brush (long)

► Fig.44

A nozzle equipped with a brush. Useful for washing out dirt while scrubbing with brush.

Suction hose set

► Fig.45

Replace the water hose with this set to supply water from a tank or reservoir.

Rotating wash brush

► Fig.46

Three brushes inside rotate slowly when ejecting the jet. Suitable for cleaning light dirt on a exterior wall, car body, bath tub, etc.

Lance extension

► Fig.47

Pipes to extend the length of the trigger gun. Three different lengths are available by changing the number of the pipes to be used.

Under body spray lance

► Fig.48

An extra long spray lance with angled nozzle. Best for cleaning hard-to-reach areas such as car under body and roof gutter.

CAUTION: Do not use the under body spray lance with the lance extension.

Splash guard

► Fig.49

Reduces splash back when cleaning corners with the dirt blaster.

Swivel joint

► Fig.50

Prevents the high-pressure hose from being twisted.

Connecting joint

► Fig.51

A joint to connect with a nozzle from other model.

Some optional nozzles require the connecting joint (optional accessory) to attach to the trigger gun. Attach the connecting joint to the trigger gun in the same way as the nozzle.

► **Fig.52:** 1. Nozzle 2. Connecting joint 3. Trigger gun

NOTE: The connecting joint is needed when using the nozzles included with another model, HW112 or HW121.

Pipe-cleaning set (10 m/15 m)

► Fig.53

For cleaning and unclogging plumbing and downpipes.

⚠ CAUTION: Pay particular attention to the water jet when using the pipe cleaning set. Highly intense water jet is ejected backward. Be sure to insert the hose head into the pipe before pulling the trigger.

Extension high-pressure hose (5 m/8 m/10 m)

► Fig.54

Extension hose to connect the high pressure washer body with the trigger gun.

警告

- 儿童不得使用本机。应看管好儿童，勿让其玩耍本机。
- 本设备不得由不熟悉操作说明的人员（包括小孩）和体力、感觉及心智不健全或缺乏经验和知识的人员使用。
- 本机器设计使用制造商提供或推荐的清洁剂。使用其他清洁剂或化学品可能会影响机器的安全。
- 使用高压清洗机时，可能会形成喷雾。吸入喷雾对健康有害。
- 根据应用，可使用防护喷嘴进行高压清洗，此举可明显减少水雾的产生。但是，并非所有应用都可使用此设备。如果防护喷嘴不适用于防止喷雾，根据冲洗环境可能需要**FFP 2级**或相当的呼吸面罩。
- 雇主应进行风险评估，以便根据待清洁表面及其所在环境的情况制定与喷雾相关的、必要的防护措施。**FFP 2级**、同级别或以上的呼吸面罩可有效防止人员遭受水雾伤害。
- 高压射流在误操作的情况下很危险。射流不得指向人、带电设备或机器自身。
- 切勿在未穿防护服的人员范围内使用本机。
- 切勿将射流指向自身或他人来清洁衣服或鞋子。
- 爆炸危险。切勿喷洒易燃液体。
- 儿童或未经培训的人员不得使用高压清洁器。
- 高压软管、配件和联轴器对机器的安全十分重要。请仅使用制造商推荐的软管、配件和联轴器。
- 为确保机器安全，请仅使用制造商或制造商批准的原装备件。
- 对工具进行任何装配操作前，请务必关闭工具电源，并取出电池组。
- 请勿使用重要部件（如安全装置、高压软管和扳机式喷枪）已损坏的机器。

- 无人照看机器时，务必取出电池组。
- 请遵守当地供水公司的要求。
- 对于欧洲国家：
根据EN12729（BA）要求，如果供水管中安装了带排水装置的防回流阀，该工具也可连接至生活用水供水管。

规格

型号：	DHW080	
最大给水量 *1	6.3 L/min	
水流量 *2	高压模式	5.5 L/min
	低压模式	4.0 L/min
最大容许压力	8.0 MPa	
工作气压 *2	高压模式	5.5 MPa
	低压模式	3.0 MPa
最大给水压力	1.0 MPa	
最大给水温度	40 °C	
最大吸入高度	1 m	
额定电压	D.C. 36 V	
尺寸 (长 × 宽 × 高)	438 mm x 218 mm x 269 mm	
重量	7.1 - 7.7 kg	

*1：使用冲洗刷时。

*2：使用喷枪时。

- 生产者保留变更规格不另行通知之权利。
- 规格可能因销往国家之不同而异。
- 重量因附件（包括电池组）而异。根据EPTA-Procedure 01/2014，最重与最轻的组合见表格。

适用电池组和充电器

电池组	BL1815N / BL1820 / BL1820B / BL1830 / BL1830B / BL1840 / BL1840B / BL1850 / BL1850B / BL1860B
充电器	DC18RC / DC18RD / DC18RE / DC18SD / DC18SE / DC18SF / DC18SH

- 部分以上所列电池组和充电器是否适用视用户所在地区而异。

⚠警告： 请仅使用以上所列电池组和充电器。使用其他类型的电池组或充电器可能会导致人身伤害和 / 或失火。

符号

以下显示本设备可能会使用的符号。在使用工具之前，请务必理解其含义。



阅读使用说明书。



特别小心和注意。



仅限于欧盟国家
请勿将电气设备或电池组与家庭普通废弃物一同丢弃！请务必遵守欧洲关于废弃电子电气设备、电池和蓄电池以及废弃电池和蓄电池的指令并根据法律法规执行。达到使用寿命的电气设备和电池组必须分类回收至符合环境保护规定的再循环机构。



请勿连接至饮用水龙头。



请勿将射流指向人（包括自身）、动物和带电设备。

用途

本工具用于通过水射流清洁顽固污垢。本工具供室内使用。

重要安全警告

警告： 阅读所有警告和所有说明。不遵照以下警告和说明会导致电击、着火和 / 或严重伤害。

保存所有警告和说明书以备查阅。

警告 - 使用本产品时，应遵循以下基本注意事项：

工作区域安全事项

1. 操作区域应无人。
2. 请勿伸得过远或站在不稳固的支撑物上。操作时请双脚站稳，始终保持平衡。
3. 务必将高压清洗机机身放在平坦稳定的表面上。避免喷出的水会流失或聚集的区域。

4. 清洁前，检查要清洁的周围环境和物体。高压射流可刮除油漆或其他包括有毒化学品在内的表面涂料。必要时应采取预防措施。
5. 小心操作以免被高压清洗机的软管绊倒。操作时务必留意软管的配置。
6. 使用期间，高压清洗机的底部会有少量水流出。请勿将高压清洗机放在需要防潮的区域。

人身安全

1. 为避免射流对人身及物体造成伤害，操作者应穿戴合适的衣物如安全靴、安全手套、带帽舌的安全头盔和护耳装置。
2. 切勿在未穿防护服的人员范围内使用高压清洗机。
3. 为降低人身伤害的风险，在儿童附近使用本产品时应密切监视。
4. 如果连接至饮用水系统，应当防止系统回流。
5. 流过回流防止器的水不可饮用。

电气安全

1. 切勿用湿手触摸电池组。
 2. 请勿使用重要部件（如安全装置、高压软管或扳机式喷枪）已损坏的机器。
- 用电源驱动的电动工具的使用和保养

1. 使用本产品前请通读所有指示说明。
2. 了解快速停止高压清洗机和分供压力的方法。完全熟悉控制装置。
3. 高压射流在误操作的情况下很危险。射流不得指向人、带电设备或机器自身。
4. 本设备不得由不熟悉操作说明的人员（包括小孩）和体力、感觉及心智不健全或缺乏经验和知识的人员使用。
5. 应看管好儿童，勿让其玩耍本工具。
6. 切勿喷洒易燃和 / 或有毒液体。这可能会导致爆炸、中毒或损坏机器。
7. 切勿将射流指向自身或他人来清洁衣服或鞋子。
8. 高压软管、配件和联轴器对机器的安全十分重要。请仅使用制造商推荐的软管、配件和联轴器。
9. 根据说明更换附件。
10. 保持把手干燥、清洁，无油污或润滑脂。
11. 保持警惕。注意您的操作。
12. 切勿在疲劳、饮酒或服药的情况下操作本产品。
13. 切勿在高压清洗机无水的情况下操作1分钟以上。这会损坏电机，导致故障。

14. 高压清洗机无人照看时，务必关闭电源和给水总管。
15. 当心反弹。当高压射流从喷嘴喷出时，扳机式喷枪会反弹。握紧扳机式喷枪以避免意外伤害。
16. 使用前检查破损或磨损部件。同时还应确保软管连接正确且操作期间无泄漏。操作功能损坏的机器可能会导致故障。
17. 本机器设计使用制造商提供或推荐的清洁剂。使用其他清洁剂或化学品可能会影响机器的安全。
18. 请勿拉动软管来移动高压清洗机机身。这会损坏软管和连接部件并导致短路或功能异常。
19. 切勿将重物放置在软管上或允许车辆碾压过软管。
20. 务必在断开软管前释放扳机式喷枪内的剩余压力。
21. 将软管连接到给水总管时，请遵循当地自来水厂部门或厂家的指示。
22. 如果高压清洗机掉落或撞击硬物，请务必检查是否有损坏和裂缝。使用损坏的高压清洗机可能会产生烟雾、起火或导致电击，从而造成人身伤害。
23. 使用高压清洗机时，可能会形成喷雾。吸入喷雾对健康有害。
24. 根据应用，可使用防护喷嘴进行高压清洗，此举可明显减少水雾的产生。但是，并非所有应用都可使用此设备。如果防护喷嘴不适用于防止喷雾，根据冲洗环境可能需要FFP 2级或相当的呼吸面罩。
25. 雇主应进行风险评估，以便根据待清洁表面及其所在环境的情况制定与喷雾相关的、必要的防护措施。FFP 2级、同级别或以上的呼吸面罩可有效防止人员遭受水雾伤害。
26. 防止意外启动。在连接至电池组，拿起或搬运工具之前，请确保开关处于关闭位置。搬运工具时手指放在开关上或者在开关打开的情况下给工具通电会招致意外情况发生。
27. 在进行任何调整，更换附件或存放工具之前，请断开电池组与工具的连接。这些安全防护措施可降低工具意外启动的风险。
28. 除非使用和维护说明中另有指示，否则请勿改装或尝试维修工具或电池组。
29. 警告 - 注射或受伤的风险 - 不要直接向人员排放气流。

用电池驱动的电动工具的使用和保养

1. 请仅使用制造商指定的充电器进行充电。将适用于某一种类型电池组的充电器用于其他类型的电池组时，可能会导致起火。
2. 电动工具仅可使用专门指定的电池组。使用其他类型的电池组可能会导致人身伤害或起火。
3. 不使用电池组时请将其远离纸夹、硬币、钥匙、钉子、螺丝或其他小型金属物体放置。这些物体可能会使电池端子短路，引起燃烧或起火。
4. 使用过度时，电池中可能溢出液体。请避免接触。如果意外接触到电池漏液，请用水冲洗。如果液体接触到眼睛，请就医。电池漏液可能会导致过敏发炎或灼伤。
5. 不要使用损坏或改装过的电池包或工具。损坏或改装过的电池组可能呈现无法预测的结果，导致着火、爆炸或伤害。
6. 不要将电池包暴露于火或高温中。电池包暴露于火或高于130 °C的高温中可能导致爆炸。
7. 遵循所有充电说明。不要在说明书中指定的温度范围之外给电池包或电动工具充电。不正确或在指定的温度范围外充电可能会损坏电池和增加着火的风险。

维修服务

1. 遵循本说明书中规定的保养说明。
2. 为确保机器安全，请仅使用制造商或制造商批准的原装备件。
3. 请将您的高压清洗机交由有资格的专业维修人员处理，仅可使用与原部件相同的更换部件。这样可确保高压清洗机的安全性。
4. 如高压清洗机损坏或故障，应立即关闭高压清洗机并取出电池组。请联络当地的经销商或维修服务中心。

附加安全警告

1. 请遵守当地供水公司的要求。
2. 不要在雷电天气使用工具。
3. 在泥泞地面、潮湿坡道或湿滑的地方使用工具时，请注意立足稳固。
4. 避免在可能增加用户疲劳的恶劣环境中工作。
5. 请勿在雨中更换电池。
6. 请勿将工具浸入水坑中。
7. 请勿在雨天将工具置于室外无人看管。

8. 当因下雨导致潮湿树叶或污垢粘附在吸嘴（通风窗）上时，请清除它们。
9. 请勿用高压水清洗工具。
10. 清洗工具时，请勿让电池、电机和端子等电气机构进水。
11. 存放工具时，避免直射阳光和淋雨，将其存放在不会变热或变潮的位置。
12. 在不会淋雨的位置执行检查或保养。
13. 使用工具后，清除粘附的污垢，并在存放前彻底干燥工具。根据季节或地区的不同，存在因结冰导致功能不良的可能性。
14. 请勿用水等液体打湿电池端子，或将电池浸于水中。请勿使电池淋雨，也不得在潮湿位置给电池充电、使用或存放电池。如果电池端子被打湿或有液体进入电池，则电池可能会短路，导致过热、起火或爆炸危险。
15. 从工具或充电器取下电池后，请务必在电池上安装电池盖并将其存放在干燥处。
16. 请勿用湿手更换电池。

附加安全警告

1. 请遵守当地供水公司的要求。
2. 请勿对本工具使用带线电源，例如电池连接转换器或便携电源装置。此类电源的电缆可能会阻碍操作，进而导致人员受伤。

请保留此说明书。

警告： 请勿为图方便或因对产品足够熟悉（由于重复使用而获得的经验）而不严格遵循相关产品安全规则。

使用不当或不遵循使用说明书中的安全规则会导致严重的人身伤害。

电池组的重要安全注意事项

1. 在使用电池组之前，请仔细阅读所有的说明以及（1）电池充电器，（2）电池，以及（3）使用电池的产品上的警告标记。
2. 请勿拆解电池组。
3. 如果机器运行时间变得过短，请立即停止使用。否则可能会导致过热、起火甚至爆炸。
4. 如果电解液进入您的眼睛，请用清水将其冲洗干净并立即就医。否则可能会导致视力受损。
5. 请勿使电池组短路：

- (1) 请勿使任何导电材料碰到端子。
- (2) 避免将电池组与其他金属物品如钉子、硬币等放置在同一容器内。
- (3) 请勿将电池组置于水中或使其淋雨。

电池短路将产生大的电流，导致过热，并可能导致起火甚至击穿。

6. 请勿将工具和电池组置于温度可能达到或超过 **50 °C (122 °F)** 的场所。
7. 即使电池组已经严重损坏或完全磨损，也请勿焚烧电池组。电池组会在火中爆炸。
8. 请小心，勿撞击电池或使其掉落。
9. 请勿使用损坏的电池。
10. 本工具附带的锂离子电池需符合危险品法规要求。

第三方或转运代理等进行商业运输时，应遵循包装和标识方面的特殊要求。有关运输项目的准备作业，咨询危险品方面的专业人士。同时，请遵守可能更为详尽的国家法规。

请使用胶带保护且勿遮掩表面的联络信息，并牢固封装电池，使电池在包装内不可动。

11. 丢弃电池组时，需将其从工具上卸下并在安全地带进行处理。关于如何处理废弃的电池，请遵循当地法规。
12. 仅将电池用于 **Makita**（牧田）指定的产品。将电池安装至不兼容的产品会导致起火、过热、爆炸或电解液泄漏。
13. 如长时间未使用工具，必须将电池从工具内取出。

请保留此说明书。

小心： 请仅使用 **Makita**（牧田）原装电池。使用非 **Makita**（牧田）原装电池或经过改装的电池可能会导致电池爆炸，从而造成火灾、人身伤害或物品受损。同时也会导致牧田工具和充电器的牧田保修服务失效。

保持电池最大使用寿命的提示

1. 在电池组电量完全耗尽前及时充电。发现工具电量低时，请停止工具操作，并给电池组充电。
2. 请勿对已充满电的电池组重新充电。过度充电将缩短电池的使用寿命。
3. 请在 **10 °C - 40 °C (50 °F - 104 °F)** 的室温条件下给电池组充电。请在灼热的电池组冷却后再充电。

4. 如果电池组长时间（超过六个月）未使用，请给其充电。

功能描述

⚠️小心： 调节或检查工具功能之前，请务必关闭工具的电源并取出电池组。

安装或拆卸电池组

⚠️小心： 安装或拆卸电池组之前，请务必关闭工具电源。

⚠️小心： 安装或拆卸电池组时请握紧工具和电池组。否则它们可能从您的手中滑落，导致工具和电池组受损，甚至造成人身伤害。

要安装电池组时，请在按锁定杆的同时打开护盖。将电池组上的舌簧与外罩上的凹槽对齐，然后推滑到位。将其完全插入到位，直到锁定并发出卡嗒声为止。如果插入后仍能看到按钮上侧的红色指示灯，则说明其未完全锁紧。

安装或拆卸电池组后，请务必关闭护盖。

► **图片1：** 1. 护盖 2. 锁定杆

要拆下电池组时，请在按下电池组前侧按钮的同时取出电池组。

► **图片2：** 1. 红色指示灯 2. 按钮 3. 电池组

⚠️小心： 务必完全装入电池组，直至看不见红色指示灯。否则它可能会意外从工具中脱落，从而造成自身或他人受伤。

⚠️小心： 请勿强行安装电池组。如果电池组难以插入，可能是插入方法不当。

⚠️小心： 操作前务必锁定护盖。

工具 / 电池保护系统

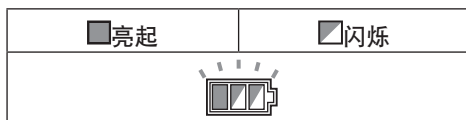
本工具配备有工具 / 电池保护系统。该系统可自动切断电机电源以延长工具和电池寿命。作业时，如果工具或电池处于以下情况，工具将会自动停止运转。

过载保护

以导致异常高电流的方式操作电池时，工具会自动停止运转，指示灯不闪烁。在这种情况下，请关闭工具并停止导致工具过载的应操作。然后开启工具重新启动。

过热保护

工具过热时，工具将自动停止运转且电池指示灯闪烁。在这种情况下，请等待工具冷却后再开启工具。



过放电保护

电池电量不足时，本工具自动停止运转。此时，请取出工具中的电池并予以充电。

显示电池的剩余电量

仅限带指示灯的电池组

► **图片3：** 1. 指示灯
2. CHECK（查看）按钮

按电池组上的CHECK（查看）按钮可显示电池剩余电量。指示灯将亮起数秒。

指示灯			剩余电量
<input checked="" type="checkbox"/> 点亮	<input type="checkbox"/> 熄灭	<input type="checkbox"/> 闪烁	
<input checked="" type="checkbox"/>	<input checked="" type="checkbox"/>	<input checked="" type="checkbox"/>	75%至100%
<input checked="" type="checkbox"/>	<input checked="" type="checkbox"/>	<input type="checkbox"/>	50%至75%
<input checked="" type="checkbox"/>	<input type="checkbox"/>	<input type="checkbox"/>	25%至50%
<input type="checkbox"/>	<input type="checkbox"/>	<input type="checkbox"/>	0%至25%
<input type="checkbox"/>	<input type="checkbox"/>	<input type="checkbox"/>	给电池充电。
<input checked="" type="checkbox"/>	<input checked="" type="checkbox"/>	<input type="checkbox"/>	电池可能出现故障。
<input type="checkbox"/>	<input type="checkbox"/>	<input checked="" type="checkbox"/>	





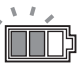
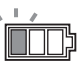
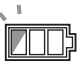
注： 在不同的使用条件及环境温度下，指示灯所示电量可能与实际情况略有不同。

显示电池的剩余电量

注意： 电源开关处于OFF（关闭）位置时，电池指示灯不会点亮。要检查剩余电池电量，请将电源开关打开至高压或低压模式。

按CHECK（查看）按钮可显示电池剩余电量。各个电池有与之相对应的电池指示灯。

- **图片4:** 1. 电池指示灯
2. CHECK (查看) 按钮

电池指示灯状态			剩余的 电池电量
 亮起	 熄灭	 闪烁	
			50%至 100%
			20%至 50%
			0%至 20%
			给电 池充电

电源开关

注意: 切勿强行转动电源开关。这可能会导致开关故障。

根据压力级顺时针或逆时针转动电源开关。顺时针转动电源开关进入高压模式，逆时针转动电源开关进入低压模式。

- **图片5:** 1. 低压模式 2. OFF (关闭) 位置 3. 高压模式

注: 将电源开关打开至高压或低压模式时，电池指示灯将点亮数秒。

喷嘴功能

注: 标准喷嘴因销往国家而异。另请参阅选购附件章节了解其他喷嘴。

喷枪

规格因国家而异

- **图片6**

旋转喷嘴的前端即可在0°至25°范围内调节射流宽度。

小心: 调节射流宽度时，请勿在朝扳机式喷枪拉动喷嘴时旋转喷嘴。喷嘴可能会从扳机式喷枪上脱落并造成人身伤害。

污垢喷枪

规格因国家而异

- **图片7**

喷出螺旋射流。适合清除顽固污垢。

注意: 切勿使用污垢喷枪来清洁窗子或车身等脆弱的表面。

扳机操作

扣动扳机喷出水射流。只要扣动扳机，即持续喷出射流。

可锁定扳机，安全处理扳机式喷枪。要锁定扳机，拉出止动器，然后将止动器钩挂到手柄上的凹槽内。

- **图片8:** 1. 扳机 2. 止动器 3. 凹槽

注意: 为避免压力开关内出现机械故障，务必在扳机操作之间间隔2秒。

安全阀

本装置配有安全阀，可防止过度超压。扳机释放时，阀门打开，水再次流过泵进口。

小心: 切勿擅自修改或调节安全阀设置。

从水槽 / 蓄水池供水

您可以从水槽或蓄水池而非水龙头供水。用吸入软管套件更换水管连接头。连接吸入软管套件时，从软管上断开过滤器盒并将过滤器盒安装至高压清洗机的进口。然后，将软管连接至过滤器盒。

注: 将软管连接至过滤器盒或者将软管从过滤器盒上拆下时，在旋转套筒的同时请握住软管，以避免软管随套筒一起转动。

- **图片9:** 1. 水槽 / 蓄水池 2. 吸入软管套件 3. 水管连接头 4. 软管 5. 过滤器盒 6. 高压清洗机上的进口 7. 软管束带 8. 套筒

小心: 将套筒安装至过滤器盒上时，请注意避免软管束带伤及手部。

注意: 务必使用Makita (牧田) 的吸入软管套件。

注意: 高压清洗机进口与水面之间的高度差应始终为1 m (3.28 ft) 或以下。否则，高压清洗机无法将水吸入泵。

要将水引入软管，从扳机式喷枪上拆下喷嘴并在按下扳机的同时打开高压清洗机。当水从扳机式喷枪稳定喷出时，释放扳机并根据需要安装喷嘴。

- **图片10:** 1. 扳机式喷枪

注：当水未喷出时，拆下吸入软管套件并将其浸入水中。然后，将其重新连接至高压清洗机。

► **图片11： 1. 吸入软管套件**

将容器用作水箱时

您可以将高压清洗机附带的容器（规格因国家而异）用作水箱。

1. 清空容器并在其中注水。

► **图片12： 1. 满水位线**

注意：注水时不要超过满水位线。

注意：容器封盖并非密封类型。携带时注意不要洒出容器内的水。

2. 从吸入软管套件的软管上断开过滤器盒。

► **图片13： 1. 软管 2. 过滤器盒**

3. 取下给水口上的盖子，按图中所示使吸入软管套件穿过给水口。

► **图片14： 1. 盖子 2. 盖子托架 3. 给水口
4. 吸入软管套件**

注：可以将给水口上的盖子放在盖子托架上。

4. 从高压清洗机的进口拆下水管接头。随后，将过滤器盒连接至进口，然后将软管连接至过滤器盒。

► **图片15： 1. 高压清洗机的进口 2. 过滤器盒 3. 水管接头 4. 软管**

5. 将高压清洗机放置在容器上，使用容器封盖上的支座将其固定。

► **图片16： 1. 高压清洗机 2. 封盖 3. 排气孔**

注意：搬运容器时请小心操作。在搬运内部有高压清洗机、附件或水的容器时，可能因容器自身重力作用而引发事故或造成人身伤害。

注意：搬运容器时，不要过度晃动、翻转或倾斜容器。否则可能会导致：

— 容器内的水洒出；

— 封盖上的高压清洗机从容器上跌落；

— 容器的脚轮旋转受阻。

注意：如果容器内部有大量水，在抓握手柄搬运容器时，容器中的水可能溅出。

注意：倾斜容器时若容器中的水达到排气孔处，则水可能从排气孔中流出。

注意：不要踩踏容器。封盖可能会破损。

注意：不要在容器内长时间放置水。否则，可能会导致容器受损并导致漏水。

使用后，执行以下步骤：

1. 取下排水口上的盖子并排水。

► **图片17： 1. 排水口**

2. 用布擦干容器内的水分，然后彻底干燥容器。

注意：当容器内潮湿时，不可在其中存放高压清洗机和附件。残余水分可能导致功能异常和生锈。

装配

小心：对工具进行任何装配操作前，请务必关闭工具电源，并取出电池组。

连接高压软管

将高压软管连接至出口（带喷枪符号）。顺时针转动高压软管上的螺母，同时将其旋至出口上的螺纹。

► **图片18： 1. 出口 2. 螺母**

小心：确保高压软管已连接紧固。否则，可能会导致高压软管脱离，造成人身伤害。

安装扳机式喷枪

将高压软管连接至出口（带喷枪符号）。顺时针转动高压软管上的螺母，同时将其旋至进口上的螺纹。

► **图片19:** 1. 进口 2. 螺母

⚠小心： 确保高压软管已连接紧固。否则，可能会导致高压软管脱离，造成人身伤害。

连接至水龙头

⚠小心： 务必使用直径大于等于 $\phi 13$ mm的耐压软管并使用合适的配件连接至水龙头。否则，水管和 / 或配件可能会损坏并导致人身伤害。

注意： 使用尽可能短的耐压软管。进水量应大于泵的最大给水量。

注意： 如连接至饮用水管道，请使用符合当地要求的防回流阀。

准备一根耐压水管。将连接套筒安装至一端，然后将另一端如下连接至水龙头。

1. 拆下连接套筒上的螺母，然后将耐压水管穿过螺母。将软管一端插入连接套筒，然后拧紧螺母。

► **图片20:** 1. 耐压水管 2. 连接套筒的螺母 3. 连接套筒

注： 如要使用连接套筒将耐压水管连接至水龙头，请准备另一个连接套筒并将其接至软管的另一端。

2. 将耐压水管连接至水龙头。使用合适的配件如软管束带或水龙头接头固定软管端部和水龙头。

► **图片21:** 1. 软管束带 2. 水龙头接头 3. 耐压水管

注： 配件取决于您所连接的水龙头的形状。准备合适的市售配件。

3. 将水管连接头连接至进口（带水龙头符号），然后插入连接套筒。

► **图片22:** 1. 连接套筒 2. 水管连接头 3. 高压清洗机上的进口

连接 / 断开喷嘴

⚠小心： 连接 / 断开喷嘴时，务必锁定扳机式喷枪的扳机。

将喷嘴端部插入扳机式喷枪上的槽口并按图示箭头方向旋转。要断开喷嘴，在朝扳机式喷枪按压喷嘴的同时沿反方向旋转喷嘴。

► **图片23:** 1. 扳机式喷枪 2. 槽口 3. 喷嘴端部

连接泡沫喷嘴

选购附件

⚠小心： 连接 / 断开喷嘴时，务必锁定扳机式喷枪的扳机。

使用泡沫喷嘴前准备清洁剂。

1. 逆时针旋转喷嘴将喷嘴从容器上拆下。将喷嘴安装至扳机式喷枪。

► **图片24:** 1. 喷嘴 2. 扳机式喷枪

2. 将清洁剂倒入容器并将其安装至喷嘴。

► **图片25:** 1. 容器

注意： 务必使用中性清洁剂。酸性或碱性清洁剂可能会损坏容器或喷嘴。

将塑料携带箱放置于容器上

选购附件

您可以将Makita（牧田）塑料携带箱放置于容器的顶部。将塑料携带箱放置在容器上，以便使用容器封盖上的支座将其固定。

► **图片26:** 1. 塑料携带箱 2. 支座

将容器放置于手推车上

选购附件

当使用Makita（牧田）手推车搬运容器时，请将容器放置于对应位置。请确保容器底部嵌入手推车平台内。

► **图片27:** 1. 容器底面 2. 手推车平台

⚠小心： 请勿使用手推车搬运装有水的容器。否则可能导致手推车失去平衡而造成人员伤害，或者导致容器变形引发漏水。

操作

警告：切勿触摸水射流或将其指向自身或他人。水射流很危险，可伤及自身或他人。

警告：喷射水射流时，切勿握住正在清洁的物体或将手和脚放在水射流附近。

小心：警惕水射流和飞出物体反弹。不要使喷嘴进入物体30 cm以内的范围。

小心：切勿在高压清洗机无水的情况下操作1分钟以上。

小心：切勿长时间操作高压清洗机。这可能会造成过热或起火。同时，长时间使用还可能会导致振动失谐。

小心：注意风向。如清洁剂进入眼睛或嘴中，立即用清水冲洗并在必要时就医。

注意：避免使用高压清洗机超过1小时。使用1小时后，暂停操作相同的时间。

注意：为保护高压清洗机构，请勿使用超过40°C的水。

1. 将高压软管的一端连接至扳机式喷枪，另一端连接至高压清洗机。
2. 使用水管连接高压清洗机和水龙头。然后，打开水龙头。
▶ 图片28
3. 打开护盖并将电池组安装到高压清洗机内，然后锁定护盖。
▶ 图片29: 1. 电池组 2. 护盖
4. 将电源开关打开至所需的模式。
▶ 图片30: 1. 低压模式 2. OFF（关闭）位置 3. 高压模式
5. 喷水时，解锁止动器并扣动扳机。只要扣动扳机，即持续喷出射流。
▶ 图片31: 1. 止动器

小心：紧握扳机式喷枪。扣动扳机时扳机式喷枪会回弹。

小心：喷射水流时务必握住扳机式喷枪的手柄和挡杆。

注意：小心操作，切勿在操作期间强拉扳机式喷枪。这可能导致高压清洗机跌倒。

注意：当长时间暂停操作时，请关闭高压清洗机，然后扣动扳机将剩余的水完全排出。

若高压清洗机在保持高压力的情况下长时间闲置，则高压清洗机可能无法重新启动。在这种情况下，请先关闭高压清洗机，然后将水龙头中的水供给至进水口，随后在保持一段时间供水的情况下持续扣动扳机。然后，开启高压清洗机。

当暂停操作时，您可以将扳机式喷枪临时放置于图示位置。

▶ 图片32

使用后

小心：操作高压清洗机后，务必执行本手册中的操作步骤。扳机式喷枪或高压清洗机内的剩余压力可导致人身伤害或损坏内部的泵。

1. 关闭高压清洗机。
2. 关闭水龙头并从高压清洗机上断开水管。
▶ 图片33
3. 再次打开高压清洗机。
4. 扣动扳机直至高压清洗机内的残留水排出。
▶ 图片34

注意：请勿运行电机超过1分钟。

5. 关闭高压清洗机并取出电池组。
▶ 图片35: 1. 电源开关 2. 电池组
6. 从扳机式喷枪和高压清洗机上断开高压软管。
▶ 图片36: 1. 扳机式喷枪 2. 高压软管 3. 高压清洗机

注意：为防止高压软管损坏，存放前应清除软管内的残留水。

保养和存放

⚠小心： 检查或保养工具之前，请务必关闭工具电源并取出电池组。

注意： 切勿使用汽油、苯、稀释剂、酒精或类似物品清洁工具。否则可能会导致工具变色、变形或出现裂缝。

为了保证产品的安全与可靠性，维修、任何其他维修保养或调节需由Makita（牧田）授权的或工厂维修服务中心完成。务必使用Makita（牧田）的替换部件。

清洁喷嘴

使用清洁剂销清除喷嘴上的污垢或清除喷嘴堵塞物。

► **图片37：** 1. 清洁剂销

注意： 切勿强行清除污垢或碎片。这可能会导致人身伤害或损坏射孔，导致喷射角偏离或降低性能。

清洁过滤器

拆下水管接头并清除过滤器内部的污垢和碎片。

► **图片38：** 1. 水管接头 2. 过滤器
3. 密封环

使用吸入软管套件（选购附件）时，将过滤器从过滤器盒中取出并清除污垢和碎片。

► **图片39：** 1. 过滤器 2. 过滤器盒

注： 为保持最佳性能，请定期清洁过滤器。

存放

⚠小心： 务必存放在室内不会结冰的地方。如高压清洗机结冰或故障，请联系当地的维修中心进行维修。

将附件存放在高压清洗机的侧袋内。

存放示例

► **图片40：** 1. 高压软管 2. 喷嘴 3. 扳机式喷枪

如您的型号附带容器，请在其中存放高压清洗机和附件。

存放示例

► **图片41：** 1. 高压清洗机 2. 喷嘴 3. 扳机式喷枪 4. 清洗刷 5. 泡沫喷嘴 6. 高压软管 7. 充电器 8. 吸入软管套件 9. 耐压水管

注： 在某些国家，图示中的某些附件可能以选购附件的形式提供。

故障排除

请求维修前，请首先自行检查。如果您发现本手册中未作说明的问题，请勿拆解工具。而请联络Makita（牧田）授权维修服务中心，务必使用Makita（牧田）的替换部件进行修复。

异常状态	可能原因（故障）	纠正措施
清洗机无法启动。	无电	安装充满电的电池组。
	开关未打开。	打开开关。
	泵内的剩余压力	扣动扳机。
	电池或电路受损	联系授权维修服务中心进行维修。
	高压清洗机在保持高压力的情况下长时间闲置。	先关闭高压清洗机，然后将水龙头中的水供给至进水口，随后在保持一段时间供水的情况下持续扣动扳机。然后，开启高压清洗机。

异常状态	可能原因 (故障)	纠正措施
无水射流 / 水射流较弱	无供水	确保水龙头已打开。如使用吸入软管套件, 将水引入软管。
	供水不良	打开水龙头。
	水管连接不良	检查高压清洗机和水龙头之间的连接。
	软管、过滤器或喷嘴堵塞	清除软管、过滤器或喷嘴内的堵塞物。
	空气阻碍了水的流动。	关闭开关, 然后在扣动扳机的同时将其打开。
	喷嘴受损或磨损	更换喷嘴。
	泵或阀门故障	联系授权维修服务中心进行维修。
水射流不稳定	喷嘴堵塞	使用清洁剂清除喷嘴射孔上的堵塞物。
	水吸力不良	自水龙头处的水管开始, 检查水管是否泄漏或堵塞。打开水龙头。
	水过热。	供入较冷的水。
	阀们故障	联系授权维修服务中心进行维修。
声音异常	水过热。	供入较冷的水。
	泵内有空气聚集。	联系授权维修服务中心进行维修。
漏水	连接不良	检查高压清洗机和扳机式喷枪以及水龙头之间的连接。
	密封件磨损	联系授权维修服务中心进行维修。

选购附件

⚠小心： 这些附件或装置专用于本说明书所列的Makita (牧田) 工具。如使用其他厂牌附件或装置, 可能导致人身伤害。仅可将附件或装置用于规定目的。

如您需要了解更多关于这些选购附件的信息, 请咨询当地的Makita (牧田) 维修服务中心。

注： 本列表中的一些部件可能作为标准配件包含于工具包装内。它们可能因销往国家之不同而异。

Vario-Power喷枪

► 图片42

可通过转动喷嘴来调节喷射压力。

⚠小心： 调节喷射压力时, 请勿在朝扳机式喷枪拉动喷嘴时旋转喷嘴。喷嘴可能会从扳机式喷枪上脱落并造成人身伤害。

泡沫喷嘴

规格因国家而异

► 图片43

清洁剂可以泡沫的形式喷洒。

清洗刷 (长)

► 图片44

喷嘴安装有刷子。在用刷子清洁时洗掉污垢。

吸入软管套件

► 图片45

用该套件更换水管, 以从水槽或蓄水池供水。

旋转清洗刷

► 图片46

喷射射流时, 内部的三个刷子会慢慢旋转。适合清除外墙、车身、浴盆等上的飞顽固污垢。

喷枪接长管

► 图片47

延长扳机式喷枪长度的管子。通过改变要使用的管子的数量可实现三种不同的长度。

车身底部喷枪

► 图片48

带倾斜喷管的超长喷枪。十分适合清洁难以触及的区域，例如：车身底部和屋顶排水沟。

⚠小心：切勿将车身底部喷枪与喷枪接长管配合使用。

挡泥板

► 图片49

用污垢喷枪清洁角落时减少飞溅反弹。

旋转接头

► 图片50

防止高压软管扭曲。

连接头

► 图片51

与其他机型的喷嘴相连接的接头。

部分选购喷嘴需使用连接头（选购附件）连接至扳机式喷枪。以与安装喷嘴相同的方式将连接头安装至扳机式喷枪。

► **图片52：** 1. 喷嘴 2. 连接头 3. 扳机式喷枪

注： 使用其他型号HW112或HW121附带的喷嘴时需安装连接头。

管子清洁套件（10 m / 15 m）

► 图片53

用于清洁和清除管件和落水管中的堵塞物。

⚠小心： 使用管子清洁套件时应特别留意水射流。高强度水射流会回射。扣动扳机前，务必将软管头插入管子内。

延长高压软管（5 m / 8 m / 10 m）

► 图片54

延长软管用于连接高压清洗机和扳机式喷枪。

PERINGATAN

- Mesin tidak boleh digunakan oleh anak-anak. Awasi anak-anak untuk memastikan mereka tidak bermain-main dengan mesin ini.
- Mesin ini tidak dimaksudkan untuk digunakan oleh orang (termasuk anak-anak) dengan kemampuan fisik, indra, atau mental terbatas atau orang yang tidak berpengalaman.
- Mesin ini telah dirancang untuk digunakan dengan agen pembersih yang disertakan atau disarankan oleh produsen. Penggunaan agen pembersih atau bahan kimia lain dapat mengurangi keamanan mesin.
- Selama menggunakan pembersih tekanan tinggi, aerosol dapat terbentuk. Menghirup aerosol dapat membahayakan kesehatan.
- Bergantung pada pengaplikasiannya, nosel berpelindung dapat digunakan untuk pembersihan tekanan tinggi, sehingga emisi aerosol hidro dapat berkurang secara drastis. Namun, tidak semua pengaplikasian mengizinkan penggunaan perangkat semacam itu. Jika nosel berpelindung tidak dapat digunakan untuk melindungi dari aerosol, masker pernapasan kelas FFP 2 atau yang setara mungkin diperlukan, tergantung pada lingkungan pembersihan.
- Atasan harus melakukan penilaian risiko untuk menentukan langkah preventif yang diperlukan terkait dengan aerosol, tergantung pada permukaan yang akan dibersihkan serta lingkungannya. Masker pernapasan kelas FFP 2 yang setara atau lebih tinggi diperlukan untuk perlindungan terhadap aerosol hidro.
- Jet tekanan tinggi bisa berbahaya jika terdapat penyalahgunaan. Jet tidak boleh diarahkan pada orang, peralatan listrik hidup atau mesin itu sendiri.
- Jangan gunakan mesin dalam jangkauan orang kecuali mereka menggunakan pakaian pelindung.
- Jangan arahkan jet pada diri Anda atau orang lain untuk membersihkan pakaian atau alas kaki.
- Risiko ledakan – Jangan menyemprotkan cairan yang mudah terbakar.

- Pembersih tekanan tinggi tidak boleh digunakan oleh anak-anak atau petugas yang tidak terlatih.
- Selang,udukan, dan kopleng tekanan tinggi sangatlah penting untuk keamanan mesin. Gunakan selang,udukan, dan kopleng yang hanya disarankan oleh produsen.
- Untuk memastikan keamanan mesin, gunakan suku cadang asli dari produsen atau yang disetujui oleh produsen.
- Selalu pastikan bahwa mesin dimatikan dan kartrid baterai dilepas sebelum melakukan pekerjaan apa pun pada mesin.
- Jangan gunakan mesin jika bagian penting dari mesin rusak, misalnya alat pengaman, selang tekanan tinggi, pistol picu.
- Selalu lepaskan kartrid baterai saat meninggalkan mesin tanpa pengawasan.
- Patuhi peraturan perusahaan suplai air setempat.
- Untuk negara-negara di Eropa:
Sesuai dengan EN12729 (BA), peralatan juga dapat disambungkan dengan suplai air minum utama jika katup penahan aliran belakang dengan fasilitas penguras dipasang di selang suplai.

SPEKIFIKASI

Model:		DHW080
Volume umpan maksimal ^{*1}		6,3 L/min
Laju air yang mengalir ^{*2}	Mode tinggi	5,5 L/min
	Mode rendah	4,0 L/min
Tekanan maksimal yang diizinkan		8,0 MPa
Tekanan kerja ^{*2}	Mode tinggi	5,5 MPa
	Mode rendah	3,0 MPa
Tekanan umpan maksimal		1,0 MPa
Suhu umpan yang diizinkan		40 °C
Ketinggian pengisian maksimal		1 m
Tegangan terukur		D.C. 36 V
Dimensi (P x L x T)		438 mm x 218 mm x 269 mm
Berat		7,1 - 7,7 kg

*1: Saat menggunakan sikat pembersih.

*2: Saat menggunakan tombak semprot.

- Karena kesinambungan program penelitian dan pengembangan kami, spesifikasi yang disebutkan di sini dapat berubah tanpa pemberitahuan.
- Spesifikasi dapat berbeda dari satu negara ke negara lainnya.
- Berat alat mungkin berbeda tergantung perangkat tambahan yang dipasang, termasuk kartrid baterai. Kombinasi alat terberat dan teringan, sesuai Prosedur EPTA 01/2014, ditunjukkan pada tabel.

Kartrid dan pengisi daya baterai yang dapat digunakan

Kartrid baterai	BL1815N / BL1820 / BL1820B / BL1830 / BL1830B / BL1840 / BL1840B / BL1850 / BL1850B / BL1860B
Pengisi daya	DC18RC / DC18RD / DC18RE / DC18SD / DC18SE / DC18SF / DC18SH

- Beberapa kartrid baterai dan pengisi daya yang tercantum di atas mungkin tidak tersedia, tergantung wilayah tempat tinggal Anda.

⚠️ PERINGATAN: Hanya gunakan kartrid dan pengisi daya baterai yang tercantum di atas. Penggunaan kartrid dan pengisi daya baterai lain dapat menimbulkan risiko cedera dan/atau kebakaran.

Simbol

Berikut ini adalah simbol-simbol yang dapat digunakan pada peralatan ini. Pastikan Anda memahami arti masing-masing simbol sebelum menggunakan peralatan.



Baca petunjuk penggunaan.



Berhati-hatilah dan pusatkan perhatian Anda.



Hanya untuk negara-negara UE
Jangan membuang peralatan listrik atau paket baterai bersama-sama dengan bahan limbah rumah tangga!
Dengan memerhatikan Petunjuk Eropa, tentang Limbah Peralatan Listrik dan Elektronik serta Baterai dan Akumulator serta Limbah Baterai dan Akumulator dan pelaksanaannya sesuai dengan ketentuan hukum nasional, peralatan listrik dan baterai dan paket baterai yang telah habis umur pakainya harus dikumpulkan secara terpisah dan dikembalikan ke fasilitas daur ulang yang kompatibel secara lingkungan.



Jangan menyambungkan ke keran air minum.



Jangan arahkan jet pada orang termasuk diri Anda, binatang, dan peralatan listrik hidup.

Penggunaan

Mesin ini digunakan untuk membersihkan kotoran membandel menggunakan jet air. Mesin ini digunakan untuk penggunaan rumah tangga.

PERINGATAN KESELAMATAN PENTING

⚠️ PERINGATAN: Bacalah semua peringatan keselamatan dan semua petunjuk. Kelalaian mematuhi peringatan dan petunjuk dapat menyebabkan sengatan listrik, kebakaran dan/atau cedera serius.

Simpanlah semua peringatan dan petunjuk untuk acuan di masa depan.

PERINGATAN – Saat menggunakan produk ini, tindakan pencegahan dasar harus selalu dilakukan, termasuk hal-hal berikut:
Keselamatan tempat kerja

1. Jauhkan daerah operasi bebas dari semua orang.
2. Jangan menggunakan mesin pada posisi yang sulit atau berdiri pada penahan yang tidak stabil. Pastikan pijakan yang digunakan kokoh dan seimbang tetap terjaga.
3. Selalu letakkan badan cincin penutup tekanan tinggi pada permukaan yang datar dan stabil. Hindari area di mana air yang terbuang akan mengalir atau menggenang.
4. Sebelum membersihkan, periksa keadaan sekitar dan objek yang dibersihkan. Jet tekanan tinggi bisa mengikis cat atau perawatan permukaan lain termasuk bahan kimia beracun. Ambil langkah preventif bila perlu.
5. Berhati-hatilah untuk tidak tersandung selang pembersih bertekanan tinggi. Selalu perhatikan konfigurasi selang selama pengoperasian.
6. Selama penggunaan, air dalam jumlah yang sedikit akan keluar dari bagian bawah cincin penutup tekanan tinggi. Hindari memindahkan cincin bertekanan tinggi di area di mana Anda tidak ingin basah.

Keselamatan diri

1. Untuk melindungi dari jet dan benda dari jet, operator harus menggunakan pakaian yang tepat seperti sepatu bot pengaman, sarung tangan pengaman, helm pengaman dengan kaca, pelindung pendengaran, dll.
2. Jangan gunakan cincin penutup tekanan tinggi dalam jangkauan orang kecuali mereka menggunakan pakaian pelindung.
3. Untuk mengurangi risiko cedera, pengawasan ketat sangat perlu ketika mesin sedang digunakan dekat anak-anak.
4. Jika tersambung ke sistem air minum, sistem harus terlindungi dari aliran balik.
5. Air yang mengalir melalui penahan aliran belakang dianggap bukan air minum.

Keamanan kelistrikan

1. Jangan pernah menyentuh kartrid baterai dengan tangan basah.
2. Jangan gunakan mesin jika bagian penting dari mesin rusak, misalnya alat pengamanan, selang tekanan tinggi, atau pistol picu.

Penggunaan dan pemeliharaan mesin listrik

1. Bacalah semua petunjuk sebelum menggunakan mesin.
2. Ketahui bagaimana menghentikan cincin penutup tekanan tinggi dan mengeluarkan tekanan dengan cepat. Pahami kendali secara menyeluruh.
3. Jet tekanan tinggi bisa berbahaya jika disalahgunakan. Jet tidak boleh diarahkan pada orang, peralatan listrik hidup atau mesin itu sendiri.
4. Mesin ini tidak dimaksudkan untuk digunakan oleh orang (termasuk anak-anak) dengan kemampuan fisik, indra, atau mental terbatas atau orang yang tidak berpengalaman.
5. Awasi anak-anak untuk memastikan mereka tidak bermain-main dengan peralatan ini.
6. Jangan menyemprotkan bahan mudah terbakar dan/atau cairan beracun. Hal ini dapat menyebabkan ledakan, keracunan, atau kerusakan pada mesin.
7. Jangan arahkan jet pada diri Anda atau orang lain untuk membersihkan pakaian atau alas kaki.
8. Selang, dudukan, dan kopling tekanan tinggi sangatlah penting untuk keamanan mesin. Gunakan selang, dudukan, dan kopling yang hanya disarankan oleh produsen.
9. Ikuti petunjuk saat mengubah aksesoris.
10. Jagalah agar gagang kering, bersih, serta bebas dari minyak atau pelumas.
11. Jaga kewaspadaan – perhatikan pekerjaan Anda.
12. Jangan mengoperasikan mesin saat lelah atau dalam pengaruh alkohol atau obat-obatan.
13. Jangan nyalakan cincin penutup tekanan tinggi tanpa air selama lebih dari satu menit. Hal tersebut akan merusak motor, yang akan menyebabkan malafungsi.
14. Selalu matikan daya dan matikan steker air saat meninggalkan cincin penutup tekanan tinggi tanpa pengawasan.
15. Waspada! akan entakan balik. Pistol picu terpental saat jet tekanan tinggi dibuang dari nosel. Pegang pistol picu dengan kuat untuk mencegah cedera tanpa disengaja.
16. Periksa apakah ada bagian yang rusak atau aus sebelum digunakan. Selain itu, pastikan selang terhubung dengan tepat dan tidak ada kebocoran selama pengoperasian. Mengoperasikan mesin dengan kecacatan fungsi dapat mengakibatkan kecelakaan.
17. Mesin ini telah dirancang untuk digunakan dengan agen pembersih yang disertakan atau disarankan oleh produsen. Penggunaan agen pembersih atau bahan kimia lain dapat mengurangi keamanan mesin.
18. Jangan tarik selang untuk memindahkan badan pembersih bertekanan tinggi. Hal ini akan merusak selang serta bagian penghubung, dan menyebabkan korsleting atau kecacatan fungsi.
19. Jangan letakkan benda berat di atas selang atau biarkan kendaraan melintasinya.
20. Selalu kosongkan tekanan residual pada pistol picu sebelum melepas selang.
21. Saat menghubungkan selang pada steker air, perhatikan petunjuk dari dinas atau perusahaan pengairan setempat.
22. Jika pembersih bertekanan tinggi jatuh atau mengenai objek yang keras, pastikan diperiksa apakah ada kerusakan dan retakan. Menggunakan pembersih bertekanan tinggi yang rusak dapat menyebabkan asap, api, atau sengatan listrik, yang berakibat cedera badan.
23. Selama menggunakan pembersih tekanan tinggi, aerosol dapat terbentuk. Menghirup aerosol dapat membahayakan kesehatan.
24. Bergantung pada pengaplikasiannya, nosel berpelindung dapat digunakan untuk pembersihan tekanan tinggi, sehingga emisi aerosol hidro dapat berkurang secara drastis. Namun, tidak semua pengaplikasian mengizinkan penggunaan perangkat semacam itu. Jika nosel berpelindung tidak dapat digunakan untuk melindungi dari aerosol, masker pernapasan kelas FFP 2 atau yang setara mungkin diperlukan, tergantung pada lingkungan pembersihan.
25. Atasan harus melakukan penilaian risiko untuk menentukan langkah preventif yang diperlukan terkait dengan aerosol, tergantung pada permukaan yang akan dibersihkan serta lingkungannya. Masker pernapasan kelas FFP 2 yang setara atau lebih tinggi diperlukan untuk perlindungan terhadap aerosol hidro.
26. Cegah penyalaaan yang tidak disengaja. Pastikan bahwa sakelar berada dalam posisi mati sebelum menyambungkan ke paket baterai, mengangkat atau membawa peralatan. Membawa peralatan dengan jari berada di sakelar atau mengalirkan listrik pada peralatan dengan sakelar hidup akan meningkatkan potensi kecelakaan.
27. Putuskan sambungan paket baterai dari peralatan sebelum melakukan penyetulan, mengganti aksesoris, atau menyimpan peralatan. Langkah keselamatan preventif tersebut mengurangi risiko hidupnya peralatan secara tidak sengaja.
28. Jangan memodifikasi atau mencoba memperbaiki peralatan atau paket baterai selain seperti yang ditunjukkan dalam petunjuk penggunaan dan perawatan.
29. PERINGATAN – Risiko Injeksi atau Cedera – Jangan Mengarahkan Aliran Pembersihan ke Orang.

Penggunaan dan pemeliharaan mesin bertenaga baterai

1. Isi ulang baterai hanya dengan pengisi daya yang ditentukan oleh pabrik. Pengisi daya yang cocok untuk satu jenis paket baterai dapat menimbulkan risiko kebakaran ketika digunakan untuk paket baterai yang lain.
2. Gunakan mesin listrik hanya dengan paket baterai yang telah ditentukan secara khusus. Penggunaan paket baterai lain dapat menimbulkan risiko cedera dan kebakaran.
3. Ketika paket baterai tidak digunakan, jauhkan dari benda logam lain, seperti penjepit kertas, uang logam, kunci, paku, sekrup atau benda logam kecil lainnya, yang dapat menghubungkan satu terminal ke terminal lain. Hubungan singkat terminal baterai dapat menyebabkan luka bakar atau kebakaran.
4. Pemakaian yang salah, dapat menyebabkan keluarnya cairan dari baterai; hindari kontak. Jika terjadi kontak secara tidak sengaja, bilas dengan air. Jika cairan mengenai mata, cari bantuan medis. Cairan yang keluar dari baterai bisa menyebabkan iritasi atau luka bakar.
5. Jangan menggunakan paket baterai atau mesin yang sudah rusak atau telah diubah. Baterai yang rusak atau telah diubah dapat menyebabkan hal-hal yang tidak dapat diprediksi yang dapat menyebabkan kebakaran, ledakan atau risiko cedera.
6. Jangan membiarkan paket baterai atau mesin dekat dengan api atau suhu yang berlebihan. Paparan api atau suhu di atas 130 °C dapat menyebabkan ledakan.
7. Ikuti semua petunjuk pengisian daya dan jangan mengisi daya paket baterai atau mesin di luar rentang suhu yang ditentukan di panduan. Mengisi daya secara tidak tepat atau pada suhu di luar rentang yang ditentukan dapat merusak baterai dan meningkatkan risiko kebakaran.

Servis

1. Ikuti petunjuk perawatan yang ditentukan dalam buku petunjuk.
2. Untuk memastikan keamanan mesin, gunakan suku cadang asli dari produsen atau yang disetujui oleh produsen.
3. Bawa cincin penutup tekanan tinggi untuk diperbaiki hanya kepada oleh teknisi yang berkualifikasi menggunakan hanya suku cadang pengganti yang serupa. Hal ini akan menjamin terjaganya keamanan cincin penutup tekanan tinggi.
4. Apabila terdapat kerusakan atau malafungsi pada pembersih bertekanan tinggi, segera matikan dan lepaskan kartrid baterai. Hubungi pusat layanan atau dealer setempat.

Peringatan keselamatan tambahan

1. Patuhi peraturan perusahaan suplai air setempat.
2. Jangan gunakan mesin ketika ada risiko tersambar petir.

3. Ketika Anda menggunakan mesin di permukaan berlumpur, lereng basah, atau tempat yang licin, perhatikan pijakan Anda dengan saksama.
4. Hindari bekerja di lingkungan buruk yang dapat mengakibatkan kelelahan berlebih pada pengguna.
5. Jangan ganti baterai dalam kondisi hujan.
6. Jangan biarkan mesin terendam genangan air.
7. Jangan meninggalkan mesin tanpa pengawasan di luar saat hujan.
8. Saat daun yang basah atau kotoran menempel pada mulut penyedot (jendela ventilasi) akibat hujan, bersihkan.
9. Jangan cuci mesin dengan air bertekanan tinggi.
10. Saat mencuci mesin, jangan biarkan air masuk ke dalam mekanisme listrik seperti baterai, motor, dan terminal.
11. Ketika menyimpan mesin, hindari terkena cahaya matahari dan hujan langsung, dan simpan di tempat yang jauh dari panas atau lembap.
12. Lakukan pemeriksaan atau pemeliharaan di tempat yang terhindar dari hujan.
13. Setelah menggunakan mesin, bersihkan kotoran yang menempel dan keringkan mesin sepenuhnya sebelum disimpan. Tergantung pada musim atau tempat, terdapat risiko gangguan fungsi akibat pembekuan.
14. Jangan membasahi terminal baterai dengan cairan seperti air, atau merendam baterai. Jangan tinggalkan baterai saat hujan, atau mengisi daya, menggunakan, atau menyimpan baterai di tempat yang lembap atau basah. Jika terminal basah atau cairan masuk ke dalam baterai, mungkin dapat terjadi hubungan singkat dan terdapat risiko kelebihan panas, terbakar, atau meledak.
15. Setelah melepas baterai dari mesin atau pengisi daya, pastikan Anda memasam penutup ke baterai dan simpan di tempat kering.
16. Jangan ganti baterai dengan tangan basah.

Peringatan keselamatan tambahan

1. Patuhi peraturan perusahaan suplai air setempat.
2. Jangan menggunakan suplai daya berkabel seperti adaptor baterai atau paket daya portabel dengan peralatan ini. Kabel suplai daya tersebut dapat menghalangi pengoperasian dan mengakibatkan cedera.

SIMPAN PETUNJUK INI.

⚠PERINGATAN: JANGAN biarkan kenyamanan atau terbiasanya Anda dengan produk (karena penggunaan berulang) mengurangi kepatuhan yang ketat terhadap aturan keselamatan untuk produk yang terkait.

PENYALAHGUNAAN atau kelalaian mematuhi kaidah keselamatan yang tertera dalam petunjuk ini dapat menyebabkan cedera badan serius.

Petunjuk keselamatan penting untuk kartrid baterai

1. Sebelum menggunakan kartrid baterai, bacalah semua petunjuk dan penandaan pada (1) pengisi daya baterai, (2) baterai, dan (3) produk yang menggunakan baterai.
 2. Jangan membongkar kartrid baterai.
 3. Jika waktu beroperasinya menjadi sangat singkat, segera hentikan penggunaan. Hal tersebut dapat menimbulkan risiko panas berlebih, kemungkinan mengalami luka bakar atau bahkan terjadi ledakan.
 4. Jika elektrolit mengenai mata Anda, basuh dengan air bersih dan segera cari pertolongan medis. Hal tersebut dapat mengakibatkan hilangnya kemampuan penglihatan Anda.
 5. Jangan menghubungkan terminal kartrid baterai:
 - (1) Jangan menyentuh terminal dengan bahan penghantar listrik apa pun.
 - (2) Hindari menyimpan kartrid baterai pada wadah yang berisi benda logam lain seperti paku, uang logam, dsb.
 - (3) Jangan membiarkan baterai terkena air atau kehujanan.Hubungan singkat baterai dapat menyebabkan aliran arus listrik yang besar, panas berlebih, kemungkinan mengalami luka bakar dan bahkan kerusakan pada baterai.
 6. Jangan menyimpan mesin dan kartrid baterai pada lokasi dengan suhu yang bisa mencapai atau melebihi 50 °C.
 7. Jangan membuang kartrid baterai di tempat pembakaran sampah walaupun benar-benar rusak atau tidak bisa digunakan sama sekali. Kartrid baterai bisa meledak jika terbakar.
 8. Berhati-hatilah jangan sampai baterai jatuh atau terbentur.
 9. Jangan menggunakan baterai yang rusak.
 10. Baterai litium-ion yang disertakan sesuai dengan persyaratan Perundangan Makanan Berbahaya.

Harus ada pengawasan untuk pengangkutan komersial misalnya oleh pihak ketiga, ekspeditor, persyaratan khusus terhadap pengemasan dan pelabelan.

Diperlukan adanya konsultasi dengan ahli mengenai material berbahaya untuk persiapan barang yang akan dikirimkan. Perhatikan pula peraturan nasional yang lebih terperinci yang mungkin ada.
- Beri perekat atau tutupi bagian yang terbuka dan kemasi baterai dengan cara yang tidak akan menimbulkan pergeseran dalam pengemasan.
11. Ketika membuang kartrid baterai, lepaskan dari mesin dan buang ke tempat yang aman. Patuhi peraturan setempat yang berkaitan dengan pembuangan baterai.
 12. Gunakan baterai hanya dengan produk yang ditentukan oleh Makita. Memasang baterai pada produk yang tidak sesuai dapat menyebabkan kebakaran, kelebihan panas, ledakan, atau kebocoran elektrolit.

13. Jika mesin tidak digunakan dalam jangka waktu yang lama, baterai harus dilepas dari mesin.

SIMPAN PETUNJUK INI.

⚠PERHATIAN: Gunakan baterai asli Makita. Penggunaan baterai Makita yang tidak asli, atau baterai yang sudah diubah, akan mengakibatkan baterai mudah terbakar, cedera dan kerusakan. Akan menghilangkan garansi Makita pada pengisi daya dan alat Makita.

Tip untuk menjaga agar umur pemakaian baterai maksimum

1. Isi ulang kartrid baterai sebelum habis sama sekali. Selalu hentikan penggunaan mesin dan ganti kartrid baterai jika Anda melihat bahwa mesin kurang tenaga.
2. Jangan pernah mengisi ulang kartrid baterai yang sudah diisi penuh. Pengisian ulang yang berlebih memperpendek umur pemakaian baterai.
3. Isi ulang kartrid baterai pada suhu ruangan 10 °C - 40 °C. Biarkan kartrid baterai yang panas menjadi dingin terlebih dahulu sebelum diisi ulang.
4. Isi ulang daya kartrid baterai jika Anda tidak menggunakannya untuk jangka waktu yang lama (lebih dari enam bulan).

DESKRIPSI FUNGSI

⚠PERHATIAN: Selalu pastikan bahwa mesin dimatikan dan kartrid baterai dilepas sebelum menyatel atau memeriksa kerja mesin.

Memasang atau melepas baterai

⚠PERHATIAN: Selalu matikan mesin sebelum memasang atau melepas kartrid baterai.

⚠PERHATIAN: Pegang mesin dan kartrid baterai kuat-kuat saat memasang atau melepas kartrid baterai. Kelalaian untuk memegang mesin dan kartrid baterai kuat-kuat bisa menyebabkan keduanya tergelincir dari tangan Anda dan mengakibatkan kerusakan pada mesin dan kartrid baterai dan cedera diri.

Untuk memasang kartrid baterai, buka penutup sambil menekan tuas kunci. Sejajarkan lidah kartrid baterai dengan alur pada rumah dan masukkan ke dalam tempatnya. Masukkan seluruhnya sampai terkunci pada tempatnya dan terdengar bunyi klik kecil. Jika Anda bisa melihat indikator berwarna merah pada sisi atas tombol, berarti tidak terkunci sepenuhnya. Setelah memasang atau melepas kartrid baterai, pastikan untuk menutup penutupnya.

► **Gbr.1:** 1. Penutup 2. Tuas kunci

Untuk melepas kartrid baterai, angkat kartrid baterai sambil menekan tombol di bagian depan kartrid.

- **Gbr.2:** 1. Indikator berwarna merah 2. Tombol
3. Kartrid baterai

PERHATIAN: Selalu pasang kartrid baterai sepenuhnya sampai indikator berwarna merah tidak terlihat. Jika tidak, bisa terlepas dari mesin secara tidak sengaja, menyebabkan luka pada Anda atau orang di sekitar Anda.

PERHATIAN: Jangan memasang kartrid baterai secara paksa. Jika kartrid tidak bergeser dengan mudah, berarti tidak dimasukkan dengan benar.

PERHATIAN: Pastikan untuk mengunci penutup sebelum mengoperasikan.

Sistem perlindungan mesin / baterai

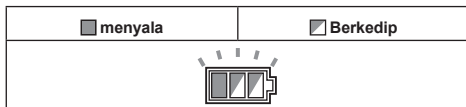
Mesin ini dilengkapi dengan sistem perlindungan mesin/baterai. Sistem ini memutus daya ke motor secara otomatis untuk memperpanjang umur pakai mesin dan baterai. Mesin akan berhenti secara otomatis saat dioperasikan jika mesin atau baterai mengalami salah satu dari kondisi-kondisi berikut ini:

Perlindungan kelebihan beban

Jika baterai digunakan dengan cara yang membuat baterai menarik arus tinggi berlebihan, mesin akan berhenti secara otomatis tanpa peringatan sebelumnya. Dalam situasi ini, matikan mesin dan hentikan pekerjaan yang menyebabkan mesin mengalami kelebihan beban. Kemudian, nyalakan mesin untuk kembali melanjutkan pekerjaan.

Perlindungan panas berlebih

Apabila mesin terlalu panas, mesin akan berhenti secara otomatis dan indikator baterai akan berkedip. Untuk situasi ini, biarkan mesin menjadi dingin sebelum menyalakannya kembali.



Perlindungan pengisian daya berlebih

Ketika kapasitas baterai tidak cukup, mesin akan berhenti secara otomatis. Dalam kondisi ini, lepaskan baterai dari mesin dan isi ulang baterai.

Mengindikasikan kapasitas baterai yang tersisa

Hanya untuk kartrid baterai dengan indikator

- **Gbr.3:** 1. Lampu indikator 2. Tombol pemeriksaan

Tekan tombol pemeriksaan pada kartrid baterai untuk melihat kapasitas baterai yang tersisa. Lampu indikator menyala selama beberapa detik.

Lampu indikator			Kapasitas yang tersisa
Menyala	Mati	Berkedip	
■	□	◐	75% hingga 100%
■	■	□	50% hingga 75%
■	■	□	25% hingga 50%
■	□	□	0% hingga 25%
◐	□	□	Isi ulang baterai.
■	■	□	Baterai mungkin sudah rusak.
□	□	■	

CATATAN: Tergantung kondisi penggunaan dan suhu lingkungannya, penunjukkan mungkin saja sedikit berbeda dari kapasitas sebenarnya.

Mengindikasikan kapasitas baterai yang tersisa

PEMBERITAHUAN: Indikator baterai tidak akan menyala ketika sakelar daya dalam posisi OFF. Untuk memeriksa kapasitas baterai yang tersisa, putar sakelar daya ke mode tekanan tinggi atau rendah.

Tekan tombol pemeriksaan untuk melihat kapasitas baterai yang tersisa. Indikator baterai berhubungan dengan setiap baterai.

- **Gbr.4:** 1. Indikator baterai 2. Tombol pemeriksaan

Status indikator baterai			Kapasitas baterai yang tersisa
Menyala	Mati	Berkedip	
■	□	◐	50% hingga 100%
■	■	□	20% hingga 50%
■	□	□	0% hingga 20%
◐	□	□	Isi ulang baterai

Sakelar daya

PEMBERITAHUAN: Jangan memutar sakelar daya secara paksa. Hal ini dapat menyebabkan kerusakan pada sakelar.

Putar sakelar daya searah jarum jam atau berlawanan arah jarum jam tergantung pada level tekanan. Putar sakelar daya searah jarum jam untuk mode tekanan tinggi, berlawanan arah jarum jam untuk mode tekanan rendah.

► **Gbr.5:** 1. Mode tekanan rendah 2. Posisi OFF (Mati) 3. Mode tekanan tinggi

CATATAN: Indikator baterai akan menyala selama beberapa detik saat memutar sakelar daya ke mode tekanan tinggi atau rendah.

Fungsi nosel

CATATAN: Nosel standar bervariasi tergantung pada negara masing-masing. Lihat pula bagian AKSESORI PILIHAN untuk nosel lainnya.

Tombak semprot

Negara tertentu
► Gbr.6

Lebar jet bisa disetel dari 0° hingga 25° dengan memutar ujung depan nosel.

PERHATIAN: Saat menyetel lebar jet, jangan memutar nosel sambil menariknya menghadap pistol picu. Nosel bisa saja terlepas dari pistol picu dan mengakibatkan cedera badan.

Blaster kotoran

Negara tertentu
► Gbr.7

Jet spiral dikeluarkan. Cocok untuk menghilangkan kotoran membandel.

PEMBERITAHUAN: Jangan gunakan blaster kotoran untuk membersihkan permukaan yang mudah pecah seperti jendela atau badan mobil.

Pengoperasian picu

Tarik picu untuk melepaskan jet air. Semprotan jet akan dilanjutkan selama picu ditekan.

Picu dapat dikunci untuk penangan keamanan pistol picu. Untuk mengunci picu, tarik penahan dan kaitkan ke arus pada gagang.

► **Gbr.8:** 1. Pelatuk 2. Penahan 3. Alur

PEMBERITAHUAN: Untuk menghindari kesalahan mekanis pada sakelar tekanan, selalu beri jeda dua detik di antara pengoperasian picu.

Katup keamanan

Peralatan ini dilengkapi dengan katup keamanan yang mencegah kelebihan tekanan yang tidak semestinya. Saat picu dilepaskan, katup terbuka dan air akan diedarkan ulang melalui tempat masuk pompa.

PERHATIAN: Jangan memodifikasi dengan atau menyatel pengaturan katup keamanan.

Mengalirkan air dari tangki/tandon

Anda bisa mengalirkan air dari tangki atau tandon daripada menggunakan keran. Ganti konektor selang air dengan perangkat selang pengisap. Saat menghubungkan perangkat selang pengisap, lepaskan wadah saringan dari selang dan pasang wadah saringan ke tempat masuk pada pembersih bertekanan tinggi. Kemudian, hubungkan selang pada wadah saringan.

CATATAN: Saat melepas/menghubungkan selang dari/ke wadah saringan, putar selongsong sambil memegang selang agar selang tidak berputar dengan selongsong.

► **Gbr.9:** 1. Tangki/tandon 2. Perangkat selang pengisap 3. Konektor selang air 4. Selang 5. Wadah saringan 6. Tempat masuk pada cincin penutup tekanan tinggi 7. Karet selang 8. Selongsong

PERHATIAN: Saat memasang selongsong ke wadah saringan, hati-hati agar tidak melukai tangan Anda dengan karet selang.

PEMBERITAHUAN: Selalu gunakan perangkat selang pengisap Makita.

PEMBERITAHUAN: Selalu jaga ketinggian 1 m (3,28 ft) atau kurang di antara tempat masuk pada pembersih bertekanan tinggi dan permukaan air. Jika tidak, pembersih bertekanan tinggi tidak akan mampu mengambil air ke dalam pompa.

Untuk menekan air menuju selang, lepaskan nosel dari pistol picu dan hidupkan cincin penutup tekanan tinggi saat picu ditekan. Saat air dikeluarkan dari pistol picu, lepaskan picu dan pasang nosel sesuai tujuan Anda.

► **Gbr.10:** 1. Pistol picu

CATATAN: Saat air tidak dikeluarkan, lepaskan perangkat selang pengisap dan rendam dalam air. Kemudian hubungkan kembali pada cincin penutup tekanan tinggi.

► **Gbr.11:** 1. Perangkat selang pengisap

Saat menggunakan wadah sebagai tangki air

Anda dapat menggunakan wadah yang disediakan bersama dengan pembersih bertekanan tinggi (negara tertentu) sebagai tangki air.

1. Kosongkan wadah dan masukkan air ke dalamnya.

► **Gbr.12:** 1. Garis level air penuh

PEMBERITAHUAN: Jangan memasukkan air di atas garis level air penuh.

PEMBERITAHUAN: Penutup wadah bukanlah jenis segel yang rapat. Berhati-hatilah agar tidak menumpahkan air ke dalam wadah saat membawa mesin.

2. Lepaskan sambungan wadah saringan dari perangkat selang pengisap.

► **Gbr.13:** 1. Selang 2. Wadah saringan

3. Lepaskan tutup pada tempat masuk air dan lewatkan perangkat selang pengisap melalui tempat masuk seperti yang ditunjukkan pada gambar.

► **Gbr.14:** 1. Tutup 2. Tutup penahan 3. Tempat masuk air 4. Perangkat selang pengisap

CATATAN: Tutup pada tempat masuk air dapat diletakkan pada tutup penahan.

4. Lepaskan konektor selang air dari tempat masuk pembersih bertekanan tinggi. Setelah itu, sambungkan wadah saringan ke tempat masuk dan kemudian selang ke wadah saringan.

► **Gbr.15:** 1. Tempat masuk pembersih bertekanan tinggi 2. Wadah saringan 3. Konektor selang air 4. Selang

5. Masukkan pembersih bertekanan tinggi ke dalam wadah sehingga terpasang kuat pada penutup wadah.

► **Gbr.16:** 1. Pembersih bertekanan tinggi 2. Penutup 3. Lubang aliran udara

PEMBERITAHUAN: Perhatikan cara memegang wadah saat membawanya. Membawa wadah dengan pembersih bertekanan tinggi dan aksesoris atau air yang ada di dalamnya dapat menyebabkan kecelakaan atau cedera yang diakibatkan oleh bobotnya.

PEMBERITAHUAN: Saat membawa wadah, jangan mengguncangkannya, membalikinya, atau terlalu mencondongkannya. Hal tersebut dapat menyebabkan;

- air di dalamnya tumpah;
- pembersih bertekanan tinggi pada penutup terjatuh dari wadah atau;
- perputaran roda wadah terhalang.

PEMBERITAHUAN: Saat membawa wadah dengan pegangan, air dapat tumpah jika terdapat banyak air di dalamnya.

PEMBERITAHUAN: Air dapat keluar dari lubang aliran udara jika air di dalam mencapai lubang aliran udara dengan memiringkan wadah.

PEMBERITAHUAN: Jangan menginjak wadah. Penutup dapat rusak.

PEMBERITAHUAN: Jangan meninggalkan wadah yang terisi air dalam jangka waktu yang lama. Hal tersebut mengakibatkan wadah rusak dan menyebabkan kebocoran air.

Setelah digunakan, ikuti prosedur di bawah ini:

1. Lepaskan tutup pada saluran pengurasan dan pembuangan air.

► **Gbr.17:** 1. Saluran pengurasan

2. Bersihkan kelembapan di dalam wadah menggunakan kain, kemudian keringkan wadah sepenuhnya.

PEMBERITAHUAN: Jangan menyimpan pembersih bertekanan tinggi dan aksesoris saat bagian dalam wadah basah. Kelembapan yang tersisa dapat menyebabkan kegagalan fungsi dan karat.

PERAKITAN

PERHATIAN: Selalu pastikan bahwa mesin dimatikan dan kartrid baterai dilepas sebelum melakukan pekerjaan apa pun pada mesin.

Menghubungkan selang tekanan tinggi

Hubungkan selang tekanan tinggi pada stopkontak (dengan tanda pistol). Putar mur pada selang tekanan tinggi searah jarum jam saat menyekrupnya pada ulir sekrup dari stopkontak.

► **Gbr.18:** 1. Stopkontak 2. Mur

PERHATIAN: Pastikan selang tekanan tinggi terpasang dengan benar. Penghubung yang kendur bisa saja meledakkan selang tekanan tinggi, yang dapat berujung pada cedera fisik.

Memasang pistol picu

Hubungkan selang tekanan tinggi pada tempat masuk pada pistol picu. Putar mur pada selang tekanan tinggi searah jarum jam saat menyekrupnya pada ulir sekrup pada tempat masuk.

► **Gbr.19:** 1. Tempat Masuk 2. Mur

PERHATIAN: Pastikan selang tekanan tinggi terpasang dengan benar. Penghubung yang kendur bisa saja meledakkan selang tekanan tinggi, yang dapat berujung pada cedera fisik.

Menghubungkan ke keran

PERHATIAN: Selalu gunakan selang air yang tahan tekanan dengan diameter \varnothing 13 mm atau lebih dan hubungkan ke keran menggunakanudukan yang sesuai. Jika tidak, selang air dan/atau dudukan mungkin rusak dan mengakibatkan cedera badan.

PEMBERITAHUAN: Gunakan selang air kebal tekanan sependek mungkin. Jumlah air asupan harus lebih tinggi dari volume umpan maksimal dari pompa.

PEMBERITAHUAN: Jika Anda menghubungkan pada steker sebagai air minum, gunakan katup penahan aliran belakang yang sesuai dengan peraturan di kawasan Anda.

Persiapkan selang air kebal tekanan. Pasang selongsong kopleng pada suatu ujung dan hubungkan ujung yang lain ke keran seperti berikut ini.

1. Lepaskan mur pada selongsong kopling dan lewatkan selang air kebal tekanan melalui mur. Masukkan ujung selang pada selongsong kopling kemudian kencangkan mur.

► **Gbr.20:** 1. Selang air kebal tekanan 2. Mur selongsong kopling 3. Selongsong kopling

CATATAN: Jika Anda ingin menyambungkan selang air tahan tekanan ke keran menggunakan selongsong kopling, siapkan selongsong kopling lain dan pasang ke ujung selang lainnya.

2. Hubungkan selang air kebal tekanan ke keran. Letakkan dudukan karet selang atau sambungan keran air leding yang sesuai untuk menahan ujung selang dengan keran.

► **Gbr.21:** 1. Karet selang 2. Sambungan keran air leding 3. Selang air kebal tekanan

CATATAN: Dudukan menyesuaikan pada bentuk keran yang Anda akan hubungkan. Persiapkan dudukan yang sudah dibeli dengan sesuai.

3. Pasang konektor selang air pada tempat masuk (dengan tanda keran) kemudian masukkan selongsong kopling.

► **Gbr.22:** 1. Selongsong kopling 2. Konektor selang air 3. Tempat masuk pada cincin penutup tekanan tinggi

Menghubungkan/melepas nosel

PERHATIAN: Selalu kunci pelatuk pistol picu saat menyambungkan/melepaskan nosel.

Masukkan ujung nosel dalam celah pada pistol picu dan putar searah dengan tanda panah seperti ditunjukkan pada gambar. Untuk melepaskan nosel, putar nosel dalam arah berlawanan sambil menekannya menghadap pistol picu.

► **Gbr.23:** 1. Pistol picu 2. Celah 3. Ujung nosel

Menghubungkan nosel busa

Pilihan Aksesori

PERHATIAN: Selalu kunci pelatuk pistol picu saat menyambungkan/melepaskan nosel.

Persiapkan detergen sebelum menggunakan nosel busa.

1. Lepaskan nosel dari tangki dengan memutar nosel berlawanan arah jarum jam. Pasang nosel ke pistol picu.

► **Gbr.24:** 1. Nosel 2. Pistol picu

2. Tuangkan detergen ke dalam tangki dan pasang pada nosel.

► **Gbr.25:** 1. Tangki

PEMBERITAHUAN: Selalu gunakan detergen netral. Detergen asam atau alkali dapat merusak tangki atau nosel.

Tempatkan tas jinjing plastik ke wadah

Pilihan Aksesori

Anda dapat menempatkan tas jinjing plastik Makita di atas wadah. Letakkan tas jinjing plastik ke dalam wadah sehingga terpasang kuat dengan gantungan pada penutup wadah.

► **Gbr.26:** 1. Tas jinjing plastik 2. Gantungan

Tempatkan wadah ke dalam troli

Pilihan Aksesori

Saat membawa wadah dengan troli Makita, tempatkan wadah dalam posisinya. Pastikan bahwa bagian bawah wadah terpasang ke platform troli.

► **Gbr.27:** 1. Permukaan bawah wadah 2. Platform troli

PERHATIAN: Saat menggunakan troli, jangan membawa wadah yang terisi air. Melakukannya dapat menghilangkan keseimbangan dan mengakibatkan cedera pribadi atau menyebabkan perubahan bentuk wadah yang mengakibatkan perembesan air.

PENGUNAAN

PERINGATAN: Jangan sentuh jet air atau arahnya pada diri sendiri atau orang lain. Jet air sangat berbahaya dan dapat melukai Anda atau orang lain.

PERINGATAN: Saat menembakkan jet air, jangan pernah memegang benda yang Anda bersihkan atau meletakkan tangan dan kaki Anda di dekat jet air.

PERHATIAN: Waspada terhadap pantulan jet air dan benda yang tertuju. Jangan membawa nosel ke arah objek yang lebih dekat dari 30 cm .

PERHATIAN: Jangan nyalakan cincin penutup tekanan tinggi tanpa air selama lebih dari 1 menit.

PERHATIAN: Jangan menggunakan cincin penutup tekanan tinggi dalam waktu lama. Hal ini bisa mengakibatkan panas yang berlebihan atau kebakaran. Juga, penggunaan dalam masa yang lama mengakibatkan getaran yang kacau.

PERHATIAN: Perhatikan arah angin. Jika detergen mengenai mata atau mulut Anda, basuh dengan air bersih secepatnya dan cari pertolongan medis jika perlu.

PEMBERITAHUAN: Hindari menggunakan cincin penutup tekanan tinggi lebih dari 1 jam. Setelah 1 jam penggunaan, beri jeda dalam jarak yang sama.

PEMBERITAHUAN: Untuk melindungi mekanisme pembersih bertekanan tinggi, jangan gunakan air panas dengan suhu lebih dari 40°C.

1. Sambungkan satu ujung selang tekanan tinggi ke pistol picu dan ujung lainnya ke pembersih bertekanan tinggi.
2. Sambungkan pembersih bertekanan tinggi dan keran menggunakan selang air. Setelah itu, buka keran.
► **Gbr.28**
3. Buka penutup dan pasang kartrid baterai ke dalam pembersih bertekanan tinggi, kemudian kunci penutupnya.
► **Gbr.29:** 1. Kartrid baterai 2. Penutup
4. Putar sakelar daya ke mode yang Anda inginkan.
► **Gbr.30:** 1. Mode tekanan rendah 2. Posisi OFF (Mati) 3. Mode tekanan tinggi
5. Untuk mengeluarkan jet air, buka kunci penahan dan tekan picu. Semprotan jet akan dilanjutkan selama picu ditekan.
► **Gbr.31:** 1. Penahan

PERHATIAN: Pegang pistol picu dengan kuat. Pistol picu terpental saat Anda menarik tombol picu.

PERHATIAN: Selalu pegang gagang pistol picu dan silinder saat mengeluarkan jet air.

PEMBERITAHUAN: Berhati-hatilah untuk tidak menarik pistol picu dengan paksa pada saat pengoperasian. Hal itu bisa mengakibatkan cincin penutup tingkat tinggi terjatuh.

PEMBERITAHUAN: Ketika mesin tidak digunakan untuk waktu yang lama, matikan pembersih bertekanan tinggi dan tekan pelatuk untuk membuang air yang tersisa sepenuhnya. Jika pembersih bertekanan tinggi dibiarkan lama dalam kondisi bertekanan tinggi, mesin mungkin tidak dapat dimulai ulang. Apabila ini terjadi, matikan pembersih bertekanan tinggi, suplai air dari keran air ke inlet, lalu tekan pelatuk dengan mempertahankan suplai air untuk sementara. Kemudian, nyalakan pembersih bertekanan tinggi.

Saat Anda menghentikan pengoperasiannya, Anda untuk sementara dapat meletakkan pistol picu seperti yang ditunjukkan pada gambar.

► **Gbr.32**

Setelah penggunaan

PERHATIAN: Setelah mengoperasikan pembersih bertekanan tinggi, selalu lakukan prosedur seperti yang dijelaskan dalam buku petunjuk ini. Tekanan residual dalam pistol picu atau pembersih bertekanan tinggi bisa mengakibatkan cedera badan atau kerusakan pada pompa di dalam.

1. Matikan pembersih bertekanan tinggi.
2. Tutup keran dan lepaskan selang air dari cincin penutup tekanan tinggi.
► **Gbr.33**
3. Nyalakan pembersih bertekanan tinggi.
4. Tekan picu sampai air yang tersisa dalam cincin penutup tekanan tinggi habis.
► **Gbr.34**

PEMBERITAHUAN: Jangan nyalakan motor selama lebih dari 1 menit.

5. Matikan pembersih bertekanan tinggi dan lepaskan kartrid baterai.
► **Gbr.35:** 1. Sakelar daya 2. Kartrid baterai
6. Lepaskan sambungan selang tekanan tinggi dari pistol picu dan pembersih bertekanan tinggi.
► **Gbr.36:** 1. Pistol picu 2. Selang tekanan tinggi 3. Pembersih bertekanan tinggi

PEMBERITAHUAN: Untuk mencegah kerusakan pada selang tekanan tinggi, hilangkan air yang tersisa dalam selang sebelum disimpan.

PEMELIHARAAN & PENYIMPANAN

PERHATIAN: Selalu pastikan bahwa mesin dimatikan dan kartrid baterai dilepas sebelum melakukan pemeriksaan atau perawatan.

PEMBERITAHUAN: Jangan sekali-kali menggunakan bensin, tiner, alkohol, atau bahan sejenisnya. Penggunaan bahan demikian dapat menyebabkan perubahan warna, perubahan bentuk atau timbulnya retakan.

Untuk menjaga KEAMANAN dan KEANDALAN mesin, perbaikan, perawatan atau penyetulan lainnya harus dilakukan oleh Pusat Layanan Resmi atau Pabrik Makita; selalu gunakan suku cadang pengganti buatan Makita.

Membersihkan nosel

Menggunakan pasak pembersih untuk menghilangkan kotoran dari atau buka sumbat nosel.

► **Gbr.37:** 1. Pasak pembersih

PEMBERITAHUAN: Jangan menghilangkan kotoran atau serpihan dengan paksaan. Hal ini bisa mengakibatkan cedera badan atau kerusakan pada lubang pengeluaran yang mengakibatkan sudut jet menyimpang atau performa yang buruk.

Membersihkan saringan

Melepaskan konektor selang air dan hilangkan kotoran dan serpihan dari dalam saringan.

► **Gbr.38:** 1. Konektor selang air 2. Saringan 3. Cincin penyegel

Saat menggunakan selang pengisap (pilihan aksesoris), keluarkan saringan dari wadah dan hilangkan kotoran dan serpihan.

► **Gbr.39:** 1. Saringan 2. Wadah saringan

CATATAN: Untuk menjaga performa optimal, bersihkan saringan secara berkala.

Penyimpanan

PERHATIAN: Selalu simpan di lokasi dalam ruangan di mana suhu tidak membeku. Jika cincin penutup tekanan tinggi membeku dan rusak, hubungi pusat layanan setempat agar diperbaiki.

Simpan aksesoris di saku samping pembersih bertekanan tinggi.

Contoh penyimpanan

► **Gbr.40:** 1. Selang tekanan tinggi 2. Nosel 3. Pistol picu

Jika model Anda dilengkapi dengan wadah, simpan pembersih bertekanan tinggi dan aksesoris di dalamnya.

Contoh penyimpanan

► **Gbr.41:** 1. Pembersih bertekanan tinggi 2. Nosel 3. Pistol picu 4. Sikat pencuci 5. Nosel busa 6. Selang tekanan tinggi 7. Pengisi daya 8. Perangkat selang pengisap 9. Selang air kebal tekanan

CATATAN: Beberapa aksesoris yang ditunjukkan dalam ilustrasi disediakan sebagai aksesoris opsional di beberapa negara.

PEMECAHAN MASALAH

Sebelum meminta perbaikan, lakukan pemeriksaan mandiri terlebih dahulu. Jika Anda menemukan masalah yang tidak dijelaskan dalam buku petunjuk ini, jangan coba membongkar mesin. Sebaliknya, hubungi Pusat Servis Resmi Makita, dan selalu gunakan suku cadang pengganti Makita untuk perbaikan.

Kondisi Tidak Normal	Kemungkinan penyebab (kerusakan fungsi)	Perbaikan
Cincin penutup tidak menyala.	Tidak ada listrik	Pasang kartrid baterai yang terisi daya.
	Sakelar belum dinyalakan.	Hidupkan sakelar.
	Tekanan residual dalam pompa	Tarik picu.
	Kerusakan baterai atau rangkaian listrik	Hubungi pusat layanan resmi untuk memperbaikinya.
	Pembersih bertekanan tinggi tidak digunakan dalam waktu lama namun tekanan tinggi di dalamnya tidak dikeluarkan.	Matikan pembersih bertekanan tinggi, suplai air dari keran air ke inlet, lalu tekan pelatuk dengan mempertahankan suplai air untuk sementara. Kemudian, nyalakan pembersih bertekanan tinggi.
Tidak ada jet air / jet air lemah	Tidak ada suplai air	Pastikan bahwa keran terbuka. Jika menggunakan selang pengisap, menekan air ke dalam selang.
	Suplai air yang buruk	Hidupkan keran.
	Penghubung selang air yang buruk	Periksa sambungan antara pembersih bertekanan tinggi dan keran air.
	Selang, saringan, atau nosel yang tersumbat	Buka sumbat selang, saringan, atau nosel.
	Udara menghalangi aliran air.	Matikan sakelar kemudian hidupkan lagi sambil tekan tombol picu.
	Nosel yang rusak atau aus	Ganti nosel.
	Kerusakan pompa atau katup	Hubungi pusat layanan resmi untuk memperbaikinya.

Kondisi Tidak Normal	Kemungkinan penyebab (kerusakan fungsi)	Perbaikan
Jet air tidak stabil	Nosel yang tersumbat	Buka sumbat pada lubang pengeluaran nosel menggunakan pasak pembersih.
	Pengisapan air yang buruk	Periksa selang air mulai dari keran apakah ada kebocoran atau tersumbat. Hidupkan keran.
	Air terlalu panas.	Gunakan air yang lebih dingin.
	Kerusakan katup	Hubungi pusat layanan resmi untuk memperbaikinya.
Suara yang tidak normal	Air terlalu panas.	Gunakan air yang lebih dingin.
	Udara tertahan dalam pompa.	Hubungi pusat layanan resmi untuk memperbaikinya.
Kebocoran air	Penghubung yang buruk	Periksa sambungan antara pembersih bertekanan tinggi dan pistol picu serta keran air.
	Penyegel yang aus	Hubungi pusat layanan resmi untuk memperbaikinya.

AKSESORI PILIHAN

⚠️ PERHATIAN: Dianjurkan untuk menggunakan aksesoris atau perangkat tambahan ini dengan mesin Makita Anda yang ditentukan dalam petunjuk ini. Penggunaan aksesoris atau perangkat tambahan lain bisa menyebabkan risiko cedera pada manusia. Hanya gunakan aksesoris atau perangkat tambahan sesuai dengan peruntukannya.

Jika Anda memerlukan bantuan lebih rinci berkenaan dengan aksesoris ini, tanyakan pada Pusat Layanan Makita terdekat.

CATATAN: Beberapa item dalam daftar tersebut mungkin sudah termasuk dalam paket mesin sebagai aksesoris standar. Hal tersebut dapat berbeda dari satu negara ke negara lainnya.

Tombak semprot Vario-Power

► Gbr.42

Tekanan jet bisa disetel dengan memutar nosel.

⚠️ PERHATIAN: Saat menyetel tekanan jet, jangan memutar nosel sambil menariknya menghadap pistol picu. Nosel bisa saja terlepas dari pistol picu dan mengakibatkan cedera badan.

Nosel busa

Negara tertentu

► Gbr.43

Detergen bisa disemprotkan menjadi busa.

Sikat pembersih (panjang)

► Gbr.44

Nosel dilengkapi dengan sikat. Sangat berguna untuk membersihkan kotoran dengan menyikat.

Perangkat selang pengisap

► Gbr.45

Ganti selang air dengan perangkat ini untuk memasok air dari tangki atau tandon.

Memutar sikat pembersih

► Gbr.46

Tiga sikat di dalam berputar dengan pelan saat mengeluarkan jet. Cocok untuk membersihkan kotoran kecil pada dinding eksterior, badan mobil, bak mandi, dll.

Ekstensi tombak

► Gbr.47

Pipa mencapai panjang pistol picu. Tiga panjang yang berbeda tersedia dengan mengubah pipa yang digunakan.

Tombak semprot bawah badan

► Gbr.48

Sebuah tombak semprot tambahan dengan nosel bersiku. Sangat tepat untuk membersihkan area yang susah dicapai seperti bagian bawah mobil dan atap.

⚠️ PERHATIAN: Jangan gunakan tombak semprot bawah badan dengan ekstensi tombak.

Pelindung percikan

► Gbr.49

Mengurangi percikan saat membersihkan sudut-sudut dengan blaster kotoran.

Sambungan putar

► Gbr.50

Mencegah selang tekanan tinggi berputar.

Sambungan penghubung

► Gbr.51

Sebuah sambungan untuk menghubungkan nosel dari model lain.

Beberapa pilihan nosel memerlukan sambungan penghubung (pilihan aksesoris) untuk memasang pistol picu. Pasang sambungan penghubung pada pistol picu dengan cara yang sama seperti nosel.

► Gbr.52: 1. Nosel 2. Sambungan penghubung 3. Pistol picu

CATATAN: Sambungan penghubung diperlukan saat menggunakan nosel termasuk dengan model lain, HW112 atau HW121.

Perangkat pembersih pipa (10 m/15 m)

► Gbr.53

Untuk membersihkan dan menghilangkan benda yang menyumbat pipa saluran air dan talang air.

⚠PERHATIAN: Perhatikan jet air saat menggunakan perangkat pembersih pipa. Jet air yang sangat kuat dikeluarkan ke arah belakang. Pastikan untuk memasukkan kepala selang ke pipa sebelum menarik pelatuk.

Selang ekstensi tekanan tinggi (5 m/8 m/10 m)

► Gbr.54

Selang ekstensi untuk menghubungkan badan cincin penutup tekanan tinggi dengan pistol picu.

CẢNH BÁO

- Không được cho trẻ em sử dụng các máy này. Cần giám sát trẻ em để đảm bảo rằng chúng sẽ không nghịch máy xịt rửa.
- Máy này không dành cho những người (bao gồm trẻ em) bị suy giảm thể chất, giác quan hoặc khả năng trí óc, hoặc thiếu kinh nghiệm và kiến thức sử dụng.
- Máy này được thiết kế để sử dụng với chất làm sạch được cung cấp hoặc khuyến dùng bởi nhà sản xuất. Sử dụng các chất làm sạch hoặc các chất hóa học khác loại có thể ảnh hưởng xấu đến an toàn của máy.
- Trong quá trình sử dụng máy làm sạch cao áp, có thể sẽ tạo thành sol khí. Hít phải sol khí có thể gây nguy hại đến sức khỏe.
- Tùy vào ứng dụng, có thể sử dụng vòi phun đã được che chắn để làm sạch áp lực cao, làm giảm đáng kể sự phát sinh sol khí có nước. Tuy nhiên, không phải tất cả các ứng dụng đều cho phép sử dụng thiết bị như vậy. Nếu không thể sử dụng vòi phun đã được che chắn để bảo vệ khỏi sol khí, có thể sẽ cần mặt nạ phòng độc loại FFP 2 hoặc tương đương, tùy vào môi trường làm sạch.
- Chủ lao động phải thực hiện đánh giá rủi ro để đưa ra các biện pháp bảo vệ cần thiết liên quan đến sol khí, tùy thuộc vào bề mặt cần làm sạch và môi trường của bề mặt đó. Mặt nạ phòng độc loại FFP 2, tương đương hoặc cao hơn sẽ phù hợp trong việc bảo vệ khỏi sol khí có nước.
- Tia nước phun cao áp có thể gây nguy hiểm nếu sử dụng không đúng cách. Không được hướng tia nước vào người, thiết bị điện đang hoạt động, hoặc vào chính máy xịt rửa.
- Không sử dụng máy xịt rửa trong phạm vi có người trừ khi họ mặc quần áo bảo hộ.
- Không trực tiếp hướng tia nước vào chính mình hoặc người khác để làm sạch quần áo hoặc giày.
- Nguy cơ cháy nổ - không xịt chất lỏng dễ cháy.
- Máy làm sạch cao áp không được cho trẻ em hoặc người chưa được đào tạo sử dụng.

- Các ống cao áp, ống nối và khớp nối quan trọng cho an toàn của máy. Chỉ sử dụng các ống dẫn, ống nối và khớp nối được khuyến dùng bởi nhà sản xuất.
- Để đảm bảo an toàn cho máy, chỉ sử dụng các phụ tùng thay thế chính hãng từ nhà sản xuất hoặc được chấp thuận bởi nhà sản xuất.
- Luôn đảm bảo rằng đã tắt dụng cụ và tháo các hộp pin ra trước khi thực hiện bất cứ thao tác nào trên dụng cụ.
- Không sử dụng máy nếu các bộ phận quan trọng của máy bị hư hỏng, ví dụ các thiết bị an toàn, ống dẫn cao áp, súng phun.
- Luôn tháo hộp pin ra khi rời khỏi máy mà không giám sát.
- Tuân thủ các yêu cầu của công ty cấp nước địa phương.
- Đối với các quốc gia Châu Âu:
Theo EN12729 (BA), thiết bị này cũng có thể được kết nối với nguồn cấp nước uống nếu có van ngăn chảy ngược với thiết bị tiêu nước được cài đặt trong ống dẫn nước.

THÔNG SỐ KỸ THUẬT

Kiểu máy:		DHW080
Dung tích nước cấp vào tối đa ^{*1}		6,3 L/phút
Lưu lượng nước ^{*2}	Chế độ cao	5,5 L/phút
	Chế độ thấp	4,0 L/phút
Áp lực cho phép tối đa		8,0 MPa
Áp lực vận hành ^{*2}	Chế độ cao	5,5 MPa
	Chế độ thấp	3,0 MPa
Áp lực nước cấp vào tối đa		1,0 MPa
Nhiệt độ nước cấp vào tối đa		40°C
Chiều cao hút tối đa		1 m
Điện áp định mức		36 V một chiều
Kích thước (D x R x C)		438 mm x 218 mm x 269 mm
Khối lượng		7,1 - 7,7 kg

*1: Khi sử dụng bàn chải cọ rửa.

*2: Khi sử dụng súng phun.

- Do chương trình nghiên cứu và phát triển liên tục của chúng tôi nên các thông số kỹ thuật trong đây có thể thay đổi mà không cần thông báo trước.
- Các thông số kỹ thuật có thể thay đổi tùy theo từng quốc gia.
- Khối lượng có thể khác nhau tùy thuộc vào (các) phụ kiện, bao gồm cả hộp pin. Tổ hợp nhẹ nhất và nặng nhất, theo Quy trình EPTA 01/2014, được trình bày trong bảng.

Hộp pin và sạc pin có thể áp dụng

Hộp pin	BL1815N / BL1820 / BL1820B / BL1830 / BL1830B / BL1840 / BL1840B / BL1850 / BL1850B / BL1860B
Bộ sạc	DC18RC / DC18RD / DC18RE / DC18SD / DC18SE / DC18SF / DC18SH

- Một số hộp pin và sạc pin được nêu trong danh sách ở trên có thể không khả dụng tùy thuộc vào khu vực cư trú của bạn.

⚠ CẢNH BÁO: Chỉ sử dụng hộp pin và sạc pin được nêu trong danh sách ở trên. Việc sử dụng bất cứ hộp pin và sạc pin nào khác có thể gây ra thương tích và/hoặc hỏa hoạn.

Ký hiệu

Phần dưới đây cho biết các ký hiệu có thể được dùng cho thiết bị. Đảm bảo rằng bạn hiểu rõ ý nghĩa của các ký hiệu này trước khi sử dụng.



Đọc tài liệu hướng dẫn.



Hãy cẩn thận và đặc biệt chú ý.



NI-MH
Li-Ion

Chỉ dành cho các quốc gia EU
Không thải bỏ thiết bị điện hoặc bộ pin cùng với các chất thải sinh hoạt!
Đề tuân thủ các Chỉ thị của Châu Âu về thiết bị điện và điện tử thải bỏ, và về pin và ắc quy và pin và ắc quy thải bỏ, và thi hành những chỉ thị này phù hợp với luật lệ quốc gia, các thiết bị điện tử và pin và (các) bộ pin không còn sử dụng được nữa phải được thu nhặt riêng và đưa trở lại một cơ sở tái chế tương thích với môi trường.



Không kết nối với nước uống được.



Không hướng tia nước trực tiếp vào người bao gồm cả chính bạn, động vật, và các thiết bị điện đang hoạt động.

Mục đích sử dụng

Dụng cụ này được thiết kế để làm sạch các bụi bẩn bám chắc bằng cách sử dụng tia nước. Thiết bị này được thiết kế để sử dụng ở quy mô gia đình.

CẢNH BÁO AN TOÀN QUAN TRỌNG

⚠ CẢNH BÁO: Đọc tất cả các cảnh báo an toàn và tất cả hướng dẫn. Việc không tuân theo các cảnh báo và hướng dẫn có thể dẫn đến điện giật, hỏa hoạn và/hoặc thương tích nghiêm trọng.

Lưu giữ tất cả cảnh báo và hướng dẫn để tham khảo sau này.

CẢNH BÁO – Khi sử dụng sản phẩm này, luôn thực hiện các biện pháp phòng ngừa cơ bản, bao gồm các điều sau:

An toàn tại khu vực làm việc

- Giữ cho khu vực vận hành máy không có người.
- Không vói quá cao hoặc đứng trên bề đỡ không chắc chắn. Luôn giữ thăng bằng và chỗ để chân tốt tại mọi thời điểm.
- Luôn luôn đặt thân máy xịt rửa cao áp trên một bề mặt phẳng và cố định. Tránh những khu vực mà nước phun ra bị chảy mát hoặc hồ bơi.
- Trước khi xịt rửa, hãy kiểm tra môi trường xung quanh và đồ vật phải xịt rửa. Tia nước cao áp có thể làm trơn sơn hoặc các tác động bề mặt khác bao gồm vật chất độc hại. Hãy thực hiện các biện pháp phòng ngừa nếu cần thiết.
- Cẩn thận không dẫm lên ống dẫn của máy xịt rửa cao áp. Luôn chú ý đến hình dạng ống dẫn trong quá trình vận hành.
- Trong quá trình sử dụng, một lượng nhỏ nước sẽ chảy ra từ phía dưới máy xịt rửa cao áp. Vì vậy tránh đặt máy xịt rửa cao áp tại những khu vực bạn không muốn bị ẩm ướt.

An toàn cá nhân

- Đề bảo vệ bản thân khỏi tia nước và các vật trong tia nước, người vận hành máy phải mặc quần áo phù hợp như giày bảo hộ, găng tay bảo hộ, mũ bảo hộ có kính che mặt, đồ bảo vệ tai, v.v...
- Không sử dụng máy xịt rửa cao áp trong phạm vi có người trừ khi họ mặc quần áo bảo hộ.
- Đề giảm nguy cơ chấn thương, cần giám sát chặt chẽ khi sử dụng sản phẩm gần trẻ em.
- Nếu kết nối với hệ thống nước uống được, hệ thống sẽ được bảo vệ khỏi hiện tượng chảy ngược.
- Nước chảy qua bộ phận ngăn chảy ngược được coi là không sạch.

An toàn về điện

- Tuyệt đối không chạm vào hộp pin bằng tay ướt.
- Không sử dụng máy nếu các bộ phận quan trọng của máy bị hư hỏng, ví dụ các thiết bị an toàn, ống dẫn cao áp, hoặc súng phun.

Sử dụng và bảo quản dụng cụ máy

- Đọc tất cả các hướng dẫn trước khi sử dụng sản phẩm.
- Biết cách dừng máy xịt rửa cao áp và xả áp lực nhanh chóng. Hãy làm quen với các bộ phận điều khiển thật kỹ.

3. Tia nước phun cao áp có thể gây nguy hiểm nếu sử dụng không đúng. Không được hướng tia nước vào người, thiết bị điện đang hoạt động, hoặc chính máy xịt rửa.
 4. Máy này không dành cho những người (bao gồm trẻ em) bị suy giảm thể chất, giác quan hoặc khả năng trí óc, hoặc thiếu kinh nghiệm và kiến thức sử dụng.
 5. Cần giám sát trẻ em để đảm bảo rằng chúng sẽ không nghịch thiết bị.
 6. Không phun chất lỏng dễ cháy và/hoặc độc hại. Làm như vậy có thể gây cháy nổ, ngộ độc hoặc hư hỏng máy.
 7. Không trực tiếp hướng tia nước vào chính mình hoặc người khác để làm sạch quần áo hoặc giày.
 8. Các ống cao áp, phụ kiện và khớp nối quan trọng cho an toàn của máy. Chỉ sử dụng các ống dẫn, ống nối và khớp nối được khuyến dùng bởi nhà sản xuất.
 9. Tuân theo các hướng dẫn khi thay phụ tùng.
 10. Giữ tay cầm khô, sạch, không dính dầu hoặc mỡ.
 11. Luôn cẩn trọng - để ý những gì bạn đang thực hiện.
 12. Không sử dụng sản phẩm khi mệt mỏi hoặc đang chịu ảnh hưởng của rượu hay ma túy.
 13. Không chạy máy xịt rửa cao áp khi không có nước lâu hơn một phút. Làm như vậy sẽ làm hỏng động cơ, dẫn đến trục trặc.
 14. Luôn luôn ngắt nguồn điện và tắt nguồn nước khi rời khỏi máy xịt rửa cao áp mà không giám sát.
 15. Cẩn thận với lực đẩy ngược. Súng phun sẽ bị giật lại khi tia nước cao áp phụt ra từ vòi phun. Giữ súng phun chắc để phòng ngừa chấn thương bất ngờ.
 16. Kiểm tra các bộ phận bị hỏng hoặc mòn trước khi sử dụng. Bạn cũng phải chắc chắn rằng các ống dẫn được nối đúng và không bị rò rỉ trong quá trình vận hành. Vận hành máy khi máy đang có sai sót về chức năng có thể gây tai nạn.
 17. Máy này được thiết kế để sử dụng với chất làm sạch được cung cấp hoặc khuyến dùng bởi nhà sản xuất. Sử dụng các chất làm sạch hoặc các chất hóa học khác loại có thể ảnh hưởng xấu đến an toàn của máy.
 18. Không kéo ống dẫn để di chuyển thân máy xịt rửa cao áp. Làm như vậy sẽ làm hỏng ống dẫn cũng như các phụ tùng kết nối và dẫn đến đoàn mạch hoặc sai sót về chức năng.
 19. Không đặt vật nặng trên ống dẫn hoặc để xe cộ chạy qua ống.
 20. Luôn luôn xả áp lực còn lại trong súng phun trước tháo rời khỏi ống dẫn.
 21. Khi nối ống dẫn với nguồn nước, hãy xem kỹ các hướng dẫn của đơn vị cung cấp nước ở địa phương hoặc công ty của bạn.
 22. Nếu máy xịt rửa áp lực cao cầm tay hoạt động bằng động cơ điện bị rơi hoặc va vào vật cứng, hãy nhớ kiểm tra xem có hư hỏng và nứt không. Sử dụng máy xịt rửa áp lực cao cầm tay hoạt động bằng động cơ điện đã hỏng có thể tạo ra khói, lửa hoặc gây ra điện giật, dẫn đến thương tích cá nhân.
 23. Trong quá trình sử dụng máy làm sạch cao áp, có thể sẽ tạo thành sol khí. Hít phải sol khí có thể gây nguy hại đến sức khỏe.
 24. Tùy vào ứng dụng, có thể sử dụng vòi phun đã được che chắn để làm sạch áp lực cao, làm giảm đáng kể sự phát sinh sol khí có nước. Tuy nhiên, không phải tất cả các ứng dụng đều cho phép sử dụng thiết bị như vậy. Nếu không thể sử dụng vòi phun đã được che chắn để bảo vệ khỏi sol khí, có thể sẽ cần mặt nạ phòng độc loại FFP 2 hoặc tương đương, tùy vào môi trường làm sạch.
 25. Chủ lao động phải thực hiện đánh giá rủi ro để đưa ra các biện pháp bảo vệ cần thiết liên quan đến sol khí, tùy thuộc vào bề mặt cần làm sạch và môi trường của bề mặt đó. Mặt nạ phòng độc loại FFP 2, tương đương hoặc cao hơn sẽ phù hợp trong việc bảo vệ khỏi sol khí có nước.
 26. Tránh vô tình khởi động dụng cụ máy. Đảm bảo công tắc ở vị trí tắt trước khi kết nối với bộ pin, cầm hoặc mang thiết bị. Việc di chuyển thiết bị khi đang đặt ngón tay ở vị trí công tắc hoặc cấp điện cho thiết bị đang bật thường dễ gây ra tai nạn.
 27. Ngắt kết nối bộ pin khỏi thiết bị trước khi thực hiện bất kỳ điều chỉnh nào, thay đổi phụ kiện hoặc bảo quản thiết bị. Những biện pháp an toàn phòng ngừa này có thể giảm nguy cơ vô tình khởi động thiết bị.
 28. Không sửa đổi hoặc cố sửa chữa thiết bị hay bộ pin ngoại trừ trường hợp được thể hiện trong hướng dẫn sử dụng và bảo quản.
 29. **CẢNH BÁO – Rủi ro của việc Bơm vào hoặc Thương tích– Không Hướng Dòng xả vào Người.**
- Sử dụng và bảo quản dụng cụ dùng pin**
1. Chỉ sạc pin lại với bộ sạc do nhà sản xuất quy định. Bộ sạc phù hợp với một loại bộ pin này có thể gây ra nguy cơ hỏa hoạn khi được dùng cho một bộ pin khác.
 2. Chỉ sử dụng các dụng cụ máy với các bộ pin được quy định cụ thể. Việc sử dụng bất cứ bộ pin nào khác có thể gây ra thương tích và hỏa hoạn.
 3. Khi không sử dụng bộ pin, hãy giữ tránh xa các đồ vật khác bằng kim loại, chẳng hạn như kẹp giấy, tiền xu, chìa khóa, đinh, ốc vít hoặc các vật nhỏ bằng kim loại mà có thể làm nối tất các đầu cực pin. Các đầu cực pin bị đoàn mạch có thể gây cháy hoặc hỏa hoạn.
 4. Trong điều kiện sử dụng quá mức, pin có thể bị chảy nước; hãy tránh tiếp xúc. Nếu vô tình tiếp xúc với pin bị chảy nước, hãy rửa sạch bằng nước. Nếu dung dịch từ pin tiếp xúc với mắt, cần đi khám bác sĩ thêm. Dung dịch chảy ra từ pin có thể gây rát da hoặc bỏng.

5. Không sử dụng bộ pin hoặc dụng cụ bị hư hỏng hoặc đã bị sửa đổi. Pin đã bị hư hỏng hoặc đã bị sửa đổi có thể hành động theo cách không thể đoán trước dẫn đến cháy, nổ hoặc nguy cơ chấn thương.
6. Không để bộ pin hoặc dụng cụ tiếp xúc với lửa hoặc nhiệt độ quá cao. Tiếp xúc với lửa hoặc nhiệt độ trên 130 °C có thể gây ra cháy nổ.
7. Làm theo tất cả các hướng dẫn sạc pin và không được sạc bộ pin hoặc dụng cụ vượt giới hạn nhiệt độ quy định trong hướng dẫn. Sạc pin không đúng hoặc ở nhiệt độ vượt giới hạn nhiệt độ có thể gây hư hỏng cho pin và làm tăng nguy cơ cháy.
14. Không làm ướt điện cực của pin bằng chất lỏng ví dụ như nước, hoặc nhấn chìm pin. Không để pin dưới trời mưa, không sạc, sử dụng, hoặc cất giữ pin ở nơi ẩm hoặc ướt. Nếu điện cực bị ướt hoặc có chất lỏng lọt vào bên trong pin, pin có thể bị đoản mạch và có nguy cơ quá nhiệt, cháy hoặc nổ.
15. Sau khi tháo pin ra khỏi dụng cụ hoặc bộ sạc, hãy đảm bảo đã gắn nắp đậy pin vào pin và cất giữ ở nơi khô ráo.
16. Không thay pin bằng tay ướt.

Bảo trì

1. Tuân thủ hướng dẫn bảo trì đã quy định trong hướng dẫn sử dụng.
2. Để đảm bảo an toàn cho máy, chỉ sử dụng các phụ tùng thay thế chính hãng từ nhà sản xuất hoặc được chấp thuận bởi nhà sản xuất.
3. Máy xịt rửa cao áp phải do nhân viên sửa chữa đủ trình độ bảo trì và chỉ sử dụng phụ tùng thay thế đồng nhất. Điều này sẽ đảm bảo duy trì được độ an toàn của máy xịt rửa cao áp.
4. Trong trường hợp máy xịt rửa cao áp có hư hỏng hoặc trục trặc, phải lập tức tắt máy và tháo (các) hộp pin ra. Hãy liên hệ với đại lý địa phương hoặc trung tâm dịch vụ của bạn.

Cảnh báo an toàn bổ sung

1. Tuân thủ các yêu cầu của công ty cấp nước địa phương.
2. Không sử dụng dụng cụ khi có nguy cơ sấm sét.
3. Khi bạn sử dụng dụng cụ trên mặt đất bùn lầy, sườn dốc ẩm ướt, hoặc nơi trơn trượt, hãy chú ý đến chỗ để chân của bạn.
4. Tránh làm việc trong môi trường có điều kiện không tốt, nơi người dùng dễ cảm thấy mệt mỏi hơn.
5. Không thay pin dưới trời mưa.
6. Không nhúng dụng cụ vào vũng nước.
7. Không để dụng cụ ngoài trời mà không có người giám sát dưới trời mưa.
8. Khi lá ướt hoặc bụi bẩn dính vào đầu hút (lỗ thông gió) do mưa, hãy loại bỏ những vật đó.
9. Không rửa dụng cụ bằng nước với áp suất cao.
10. Khi rửa dụng cụ, không để nước lọt vào cơ cấu điện như pin, động cơ, và các cực.
11. Khi cất giữ dụng cụ, tránh ánh nắng trực tiếp và mưa, cất giữ ở nơi không nóng hoặc ẩm ướt.
12. Thực hiện kiểm tra hoặc bảo dưỡng ở nơi có thể tránh mưa.
13. Sau khi sử dụng dụng cụ, hãy loại bỏ bụi bẩn dính vào và làm khô dụng cụ hoàn toàn trước khi cất giữ. Tùy thuộc vào mùa hoặc khu vực, dụng cụ có nguy cơ trục trặc do đóng băng.

Cảnh báo an toàn bổ sung

1. Tuân thủ các yêu cầu của công ty cấp nước địa phương.
2. Không sử dụng nguồn cấp điện có dây như bộ chuyển đổi pin hoặc bộ cấp nguồn di động đeo vai với thiết bị này. Cấp của nguồn cấp điện này có thể cản trở vận hành và dẫn đến thương tích cá nhân.

LƯU GIỮ CÁC HƯỚNG DẪN NÀY.

⚠ CẢNH BÁO: KHÔNG vì đã thoải mái hay quen thuộc với sản phẩm (có được do sử dụng nhiều lần) mà không tuân thủ nghiêm ngặt các quy định về an toàn dành cho sản phẩm này.

VIỆC DÙNG SAI hoặc không tuân theo các quy định về an toàn được nêu trong tài liệu hướng dẫn này có thể dẫn đến thương tích cá nhân nghiêm trọng.

Hướng dẫn quan trọng về an toàn dành cho hộp pin

1. Trước khi sử dụng hộp pin, hãy đọc kỹ tất cả các hướng dẫn và dấu hiệu cảnh báo trên (1) bộ sạc pin, (2) pin và (3) sản phẩm sử dụng pin.
2. Không tháo rời hộp pin.
3. Nếu thời gian vận hành ngắn hơn quá mức, hãy ngừng vận hành ngay lập tức. Điều này có thể dẫn đến rùi ro quá nhiệt, có thể gây bỏng và thậm chí là nổ.
4. Nếu chất điện phân rơi vào mắt, hãy rửa sạch bằng nước sạch và đến cơ sở y tế ngay lập tức. Chất này có thể khiến bạn giảm thị lực.
5. Không để hộp pin ở tình trạng đoản mạch:
 - (1) Không chạm vào cực pin bằng vật liệu dẫn điện.
 - (2) Tránh cất giữ hộp pin trong hộp có các vật kim loại khác như đinh, tiền xu, v.v...
 - (3) Không được để hộp pin tiếp xúc với nước hoặc mưa.
- Đoản mạch pin có thể gây ra dòng điện lớn, quá nhiệt, có thể gây bỏng và thậm chí là hỏng hóc.
6. Không cất giữ dụng cụ và hộp pin ở nơi nhiệt độ có thể lên tới hoặc vượt quá 50°C.
7. Không đốt hộp pin ngay cả khi hộp pin đã bị hư hại nặng hoặc hư hỏng hoàn toàn. Hộp pin có thể nổ khi tiếp xúc với lửa.
8. Hãy cẩn trọng không làm rơi hoặc làm méo pin.

9. **Không sử dụng pin đã hỏng.**
10. **Pin nén lithium-ion là đối tượng có yêu cầu bắt buộc theo Luật Hàng hoá Nguy hiểm.**
 Đối với vận tải thương mại, ví dụ như vận tải do bên thứ ba, đại lý giao nhận, thì yêu cầu đặc biệt về đóng gói và nhãn ghi phải được giám sát.
 Để chuẩn bị cho mặt hàng cần vận chuyển, cần phải tham khảo ý kiến chuyên gia về vật liệu nguy hiểm. Nếu được, vui lòng tuân thủ các quy định quốc gia chi tiết hơn.
 Buộc hoặc niêm phong các tiếp điểm mở và đóng gói pin theo cách đó để nó không thể di chuyển trong bao bì.
11. **Khi vứt bỏ hộp pin, hãy tháo chúng khỏi dụng cụ và thải bỏ ở nơi an toàn. Phải tuân thủ theo các quy định của địa phương liên quan đến việc thải bỏ pin.**
12. **Chỉ sử dụng pin cho các sản phẩm Makita chỉ định.** Lắp pin vào sản phẩm không thích hợp có thể gây ra hoả hoạn, quá nhiệt, nổ, hoặc rò chất điện phân.
13. **Nếu dụng cụ không được sử dụng trong một thời gian dài, cần phải tháo pin ra khỏi dụng cụ.**

LUYỆN GIỮ CÁC HƯỚNG DẪN NÀY.

⚠ THẬN TRỌNG: Chỉ sử dụng pin Makita chính hãng. Việc sử dụng pin không chính hãng Makita, hoặc pin đã được sửa đổi, có thể dẫn đến nổ pin gây ra cháy, thương tích và thiệt hại cá nhân. Nó cũng sẽ làm mất hiệu lực bảo hành của Makita dành cho dụng cụ của Makita và bộ sạc.

Mẹo duy trì tuổi thọ tối đa cho pin

1. **Sạc hộp pin trước khi pin bị xả điện hoàn toàn.** Luôn dừng việc vận hành dụng cụ và sạc pin khi bạn nhận thấy công suất dụng cụ bị giảm.
2. **Không được phép sạc lại một hộp pin đã được sạc đầy.** Sạc quá mức sẽ làm giảm tuổi thọ của pin.
3. **Sạc pin ở nhiệt độ phòng 10°C - 40°C.** Để cho hộp pin nóng nguội lại dần trước khi sạc pin.
4. **Sạc pin sáu tháng một lần nếu bạn không sử dụng dụng cụ trong một thời gian dài (hơn sáu tháng).**

MÔ TẢ CHỨC NĂNG

⚠ THẬN TRỌNG: Luôn đảm bảo rằng đã tắt dụng cụ và tháo hộp pin ra trước khi thực hiện việc điều chỉnh hoặc kiểm tra chức năng trên dụng cụ.

Lắp hoặc tháo hộp pin

⚠ THẬN TRỌNG: Luôn tắt dụng cụ trước khi lắp hoặc tháo hộp pin.

⚠ THẬN TRỌNG: Giữ dụng cụ và hộp pin thật chắc khi lắp hoặc tháo hộp pin. Không giữ dụng cụ và hộp pin thật chắc có thể làm trượt chúng khỏi tay và làm hư hỏng dụng cụ và hộp pin hoặc gây thương tích cá nhân.

Để lắp hộp pin, hãy mở nắp đồng thời đẩy cần khóa. Đặt thẳng hàng phần chốt nhỏ ra của hộp pin vào phần rãnh nằm trên vỏ và trượt hộp pin vào vị trí. Đưa hộp pin vào cho đến khi chốt khóa vào đúng vị trí với một tiếng "cách" nhẹ. Nếu bạn vẫn còn nhìn thấy đèn chỉ báo màu đỏ ở mặt trên của nút, điều đó có nghĩa là chốt vẫn chưa được khóa hoàn toàn.

Sau khi lắp hoặc tháo hộp pin, đảm bảo đóng nắp lại.

► **Hình1:** 1. Nắp che 2. Cần khóa

Để tháo hộp pin, nhấn hộp pin đồng thời đẩy nút ở phía trước hộp pin.

► **Hình2:** 1. Đèn chỉ báo màu đỏ 2. Nút 3. Hộp pin

⚠ THẬN TRỌNG: Luôn lắp hộp pin khớp hoàn toàn vào vị trí cho đến khi không thể nhìn thấy đèn chỉ báo màu đỏ. Nếu không, hộp pin có thể vò tình rơi ra khỏi dụng cụ, gây thương tích cho bạn hoặc người khác xung quanh.

⚠ THẬN TRỌNG: Không được dùng sức lắp hộp pin. Nếu hộp pin không nhẹ nhàng trượt vào vị trí, có nghĩa là pin vẫn chưa được lắp đúng.

⚠ THẬN TRỌNG: Đảm bảo khóa nắp che trước khi vận hành.

Hệ thống bảo vệ dụng cụ / pin

Dụng cụ này được trang bị hệ thống bảo vệ dụng cụ / pin. Hệ thống này sẽ tự động ngắt nguồn điện đến động cơ để kéo dài tuổi thọ dụng cụ và pin. Dụng cụ sẽ tự động dừng vận hành khi dụng cụ hoặc pin ở một trong những trường hợp sau đây:

Bảo vệ quá tải

Khi vận hành pin trong điều kiện làm máy tiêu tốn dòng cao bất thường, dụng cụ sẽ tự động dừng lại mà không có bất cứ dấu hiệu nào. Trong trường hợp này, hãy tắt dụng cụ và ngừng ứng dụng làm cho dụng cụ trở nên quá tải. Sau đó bật dụng cụ lên để khởi động lại.

Bảo vệ quá nhiệt

Khi bị quá nhiệt, dụng cụ sẽ tự động dừng và đèn chỉ báo pin sẽ nhấp nháy. Trong tình huống này, hãy để dụng cụ nguội lại dần trước khi bật dụng cụ một lần nữa.

<input type="checkbox"/> Bật	<input checked="" type="checkbox"/> Nhấp nháy

Bảo vệ xả điện quá mức

Khi dung lượng pin không đủ, thì dụng cụ sẽ tự động dừng. Trong trường hợp này, hãy tháo pin khỏi dụng cụ và sạc pin lại.

Chỉ báo dung lượng pin còn lại

Chỉ dành cho hộp pin có đèn chỉ báo

► **Hình3:** 1. Các đèn chỉ báo 2. Nút Check (kiểm tra)

Ấn nút check (kiểm tra) trên hộp pin để chỉ báo dung lượng pin còn lại. Các đèn chỉ báo bật sáng lên trong vài giây.

Các đèn chỉ báo			Dung lượng còn lại
Bật sáng	Tắt	Nhấp nháy	
			75% đến 100%
			50% đến 75%
			25% đến 50%
			0% đến 25%
			Sạc pin.
			Pin có thể đã bị hỏng.

LƯU Ý: Tùy thuộc vào các điều kiện sử dụng và nhiệt độ xung quanh, việc chỉ báo có thể khác biệt một chút so với dung lượng thực sự.

Chỉ báo dung lượng pin còn lại

CHÚ Ý: Đèn chỉ báo pin không sáng khi công tắc nguồn ở vị trí OFF (TẮT). Để kiểm tra dung lượng pin còn lại, hãy bật công tắc nguồn sang chế độ áp lực cao hoặc thấp.

Ấn nút Check (kiểm tra) để chỉ báo dung lượng pin còn lại. Đèn chỉ báo pin tương ứng với từng loại pin.

► **Hình4:** 1. Đèn chỉ báo pin 2. Nút Check (kiểm tra)

Trạng thái đèn chỉ báo pin			Dung lượng pin còn lại
Bật	Tắt	Nhấp nháy	
			50% đến 100%
			20% đến 50%
			0% đến 20%
			Sạc pin

Công tắc nguồn chính

CHÚ Ý: Không được bật công tắc nguồn quá mạnh. Làm như vậy có thể làm hỏng công tắc.

Vận công tắc điện theo chiều kim đồng hồ hoặc ngược chiều kim đồng hồ tùy theo mức độ áp lực. Vận công tắc điện theo chiều kim đồng hồ để sử dụng chế độ áp lực cao, ngược chiều kim đồng hồ để sử dụng chế độ áp lực thấp.

► **Hình5:** 1. Chế độ áp lực thấp 2. Vị trí OFF (TẮT) 3. Chế độ áp lực cao

LƯU Ý: Đèn chỉ báo pin sẽ sáng lên trong vài giây khi công tắc nguồn sang chế độ áp lực cao hoặc thấp.

Các chức năng của vòi phun

LƯU Ý: Vòi phun tiêu chuẩn sẽ khác nhau tùy theo quốc gia. Ngoài ra, hãy tham khảo phần PHỤ KIỆN TỰY CHỌN cho các vòi phun khác.

Súng phun

Quốc gia cụ thể

► **Hình6**

Độ rộng của tia nước có thể điều chỉnh từ 0° đến 25° độ bằng cách quay đầu trước của vòi phun.

⚠ THẬN TRỌNG: Khi điều chỉnh độ rộng của tia nước, không xoay đầu vòi trong khi đang kéo nó về phía súng phun. Đầu vòi phun có thể bị bắn ra từ súng phun và gây thương tích cá nhân.

Súng xịt bụi bẩn

Quốc gia cụ thể

► **Hình7**

Phun tia nước xoáy. Thích hợp để loại bỏ bụi bẩn bám chắc.

CHÚ Ý: Không sử dụng vòi xịt bụi để làm sạch các bề mặt yếu dễ vỡ như cửa sổ hoặc thân xe ô tô.

Các vận hành của cò khởi động

Kéo cò khởi động để phun tia nước. Tia nước sẽ được phun ra liên tục khi giữ cò.

Có thể khóa cò khởi động để điều khiển súng phun một cách an toàn. Để khóa cò khởi động, kéo cữ chặn ra và gài vào đường rãnh trên tay cầm.

► **Hình8:** 1. Cản khởi động 2. Cữ chặn 3. Rãnh

CHÚ Ý: Để tránh lỗi cơ khí trong việc chuyển đổi áp lực, luôn luôn để một khoảng nghỉ hai giây giữa các thao tác vận hành cò khởi động.

Van an toàn

Thiết bị này được trang bị một van an toàn để ngăn ngừa sự quá áp quá mức. Khi cò được nhả, van sẽ mở ra và nước lại lưu thông qua đầu bơm.

⚠ THẬN TRỌNG: Không được làm thay đổi hoặc điều chỉnh cài đặt van an toàn.

Cấp nước từ thùng/bể chứa nước

Bạn có thể cấp nước từ thùng hay bể chứa nước thay vì vòi nước.

Thay thế đầu nối ống dẫn nước với bộ ống hút. Khi nối bộ ống hút, tháo hộp bộ lọc khỏi ống dẫn và gắn hộp bộ lọc vào đầu vào của máy xịt rửa áp lực cao cầm tay hoạt động bằng động cơ điện. Sau đó, nối ống dẫn với hộp bộ lọc.

LƯU Ý: Khi tháo/kết nối ống dẫn từ/đến hộp bộ lọc, xoay trụ ngoài trong khi giữ ống dẫn để ống không quay theo trụ ngoài.

► **Hình9:** 1. Thùng/bể chứa nước 2. Bộ ống hút 3. Đầu nối ống dẫn nước 4. Ống dẫn 5. Ống lọc 6. Đầu nối vào của máy xịt rửa cao áp 7. Đai ống hút 8. Trụ ngoài

⚠ THẬN TRỌNG: Khi gắn trụ ngoài vào hộp bộ lọc, hãy cẩn thận để đai ống hút không làm tổn thương tay của bạn.

CHÚ Ý: Luôn luôn sử dụng bộ ống hút của Makita.

CHÚ Ý: Luôn giữ độ cao từ 1 m (3,28 ft) trở xuống giữa các đầu vào của máy xịt rửa áp lực cao cầm tay hoạt động bằng động cơ điện và bề mặt nước. Nếu không, máy xịt rửa áp lực cao cầm tay hoạt động bằng động cơ điện sẽ không thể để hút nước vào máy bơm.

Để đưa nước vào ống dẫn, tháo vòi phun khỏi súng phun và bật máy xịt rửa cao áp trong khi giữ cò khởi động. Khi nước được phun ra ổn định từ súng phun, nhả cò và gắn vòi phun phù hợp mục đích sử dụng của bạn.

► **Hình10:** 1. Súng phun

LƯU Ý: Khi nước không phun ra được, tháo bộ ống hút và ngâm vào trong nước. Sau đó nối lại vào máy xịt rửa áp lực cao.

► **Hình11:** 1. Bộ ống hút

Khi sử dụng hộp chứa làm bồn chứa nước

Bạn có thể sử dụng hộp chứa được cung cấp cùng máy xịt rửa cao áp (tùy thuộc vào quốc gia) làm bồn chứa nước.

1. Xả rỗng hộp chứa và cấp nước vào đó.

► **Hình12:** 1. Vạch mực nước đầy

CHÚ Ý: Không cấp nước quá vạch mực nước đầy.

CHÚ Ý: Nắp của hộp chứa không phải là loại khóa chặt. Cẩn thận không làm tràn nước trong hộp chứa khi di chuyển.

2. Tháo ống lọc khỏi ống dẫn của bộ ống hút.

► **Hình13:** 1. Ống dẫn 2. Ống lọc

3. Tháo nắp trên đầu vào cấp nước và đưa bộ ống hút qua đầu vào như minh họa.

► **Hình14:** 1. Nắp 2. Giá đỡ nắp 3. Đầu vào cấp nước 4. Bộ ống hút

LƯU Ý: Nắp trên đầu vào cấp nước có thể tựa lên giá đỡ nắp.

4. Tháo đầu nối ống dẫn nước khỏi đầu vào của máy xịt rửa áp lực cao cầm tay hoạt động bằng động cơ điện. Sau đó, nối hộp bộ lọc vào đầu vào, tiếp theo là ống dẫn vào hộp bộ lọc.

► **Hình15:** 1. Đầu vào của máy xịt rửa áp lực cao cầm tay hoạt động bằng động cơ điện 2. Hộp bộ lọc 3. Đầu nối ống dẫn nước 4. Ống dẫn

5. Đặt máy xịt rửa cao áp vào hộp chứa để máy được cố định với các bề đỡ trên nắp của hộp chứa.

► **Hình16:** 1. Máy xịt rửa cao áp 2. Nắp 3. Lỗ thoát khí

CHÚ Ý: Chú ý xử lý hộp chứa khi mang. Mang hộp chứa cùng với máy xịt rửa áp lực cao cầm tay hoạt động bằng động cơ điện và các phụ kiện hoặc có chứa nước bên trong có thể gây ra tai nạn hoặc thương tích cá nhân do khối lượng của chính nó.

CHÚ Ý: Khi di chuyển hộp chứa, không được lắc, lật úp hoặc nghiêng hộp chứa quá mức. Làm như vậy có thể khiến;

— nước bên trong tràn ra;

— máy xịt rửa áp lực cao cầm tay hoạt động bằng động cơ điện trên nắp rớt ra khỏi hộp chứa và;

— cản trở sự quay của bánh răng của hộp chứa.

CHÚ Ý: Khi mang hộp chứa bằng tay cầm, nước có thể tràn ra ngoài nếu có quá nhiều nước bên trong.

CHÚ Ý: Nước có thể chảy ra từ lỗ thoát khí nếu nước bên trong chạm tới lỗ thoát khí do nghiêng hộp chứa.

CHÚ Ý: Không đấm lên hộp chứa. Nắp có thể bị vỡ.

CHÚ Ý: Không để hộp chứa đầy trong một thời gian dài. Để như vậy có thể làm cho hộp chứa bị hỏng và dẫn đến rò rỉ nước.

Sau khi sử dụng, hãy làm theo quy trình bên dưới:

1. Tháo nắp trên đầu thoát nước và xả nước.

► **Hình17:** 1. Lối thoát nước

2. Lau sạch hơi ẩm bên trong hộp chứa bằng vải rời làm khô hộp chứa hoàn toàn.

CHÚ Ý: Không cất giữ máy xịt rửa cao áp và phụ kiện khi bên trong hộp chứa còn ướt. Hơi ẩm còn sót lại có thể gây ra trục trặc và gỉ sét.

LẮP RÁP

⚠ THẬN TRỌNG: Luôn đảm bảo rằng đã tắt dụng cụ và tháo hộp pin ra trước khi thực hiện bất cứ thao tác nào trên dụng cụ.

Nối ống dẫn cao áp

Nối ống dẫn cao áp vào đầu ra (có vạch dấu trên súng). Vận đai ốc trên ống dẫn cao áp theo chiều kim đồng hồ trong khi vận nó khớp với ren đai ốc của đầu ra.

► **Hình18:** 1. Đầu ra 2. Đai ốc

⚠ THẬN TRỌNG: Hãy đảm bảo rằng ống dẫn cao áp đã được nối chắc chắn. Mỗi nối lỏng có thể làm thổi bay ống dẫn cao áp gây ra thương tích cá nhân.

Lắp súng phun

Nối ống dẫn cao áp với đầu vào của súng phun. Vận đai ốc trên ống dẫn cao áp theo chiều kim đồng hồ trong khi bắt vít nó vào đầu vít ở đầu ra.

► **Hình19:** 1. Đầu vào 2. Đai ốc

⚠ THẬN TRỌNG: Hãy đảm bảo rằng ống dẫn cao áp đã được nối chắc chắn. Mỗi nối lỏng có thể làm thổi bay ống dẫn cao áp gây ra thương tích cá nhân.

Nối với vòi nước

⚠ THẬN TRỌNG: Luôn sử dụng ống dẫn nước chịu áp lực với đường kính ≥ 13 mm trở lên và nối với vòi nước bằng cách sử dụng ống nối thích hợp. Nếu không, ống dẫn nước và/hoặc ống nối có thể bị vỡ và gây thương tích cá nhân.

CHÚ Ý: Sử dụng ống dẫn nước chịu áp lực càng ngắn càng tốt. Lượng nước vào phải cao hơn dung lượng nước cấp tối đa cho máy bơm.

CHÚ Ý: Nếu bạn nối ống vào nguồn nước uống, sử dụng van ngăn chảy ngược theo quy định tại địa phương của bạn.

Chuẩn bị ống dẫn nước chịu áp lực. Gắn kèm trụ ngoài khớp nối vào một đầu và nối đầu kia của vòi như sau.

1. Tháo đai ốc trên trụ ngoài khớp nối và xuyên ống dẫn nước chịu áp suất qua đai ốc. Đưa đầu của ống dẫn vào trụ ngoài khớp nối và vận chặt đai ốc.

► **Hình20:** 1. Ống dẫn nước chịu áp lực 2. Đai ốc của trụ ngoài khớp nối 3. Trụ ngoài khớp nối

LƯU Ý: Nếu bạn muốn nối ống dẫn nước chịu áp lực vào vòi nước bằng cách sử dụng trụ ngoài khớp nối, hãy chuẩn bị trụ ngoài khớp nối khác và gắn vào đầu còn lại của ống dẫn.

2. Nối ống dẫn nước chịu áp lực vào vòi nước. Sử dụng ống nối thích hợp như đai nối ống hoặc khớp nối khóa nước để vận chặt phần cuối ống dẫn vào vòi nước.

► **Hình21:** 1. Đai nối ống 2. Khớp nối khóa nước 3. Ống dẫn nước chịu áp lực

LƯU Ý: Ống nối phụ thuộc vào hình dạng của vòi nước mà bạn nối vào. Chuẩn bị ống nối thương mại đã mua phù hợp.

3. Gắn đầu nối ống dẫn nước vào đầu vào (có đánh dấu với nước) và sau đó lắp trụ ngoài khớp nối vào.

► **Hình22:** 1. Trụ ngoài khớp nối 2. Đầu nối ống dẫn nước 3. Đầu nối vào của máy xịt rửa cao áp

Nối/tháo vòi phun

⚠ THẬN TRỌNG: Luôn khóa cần khởi động của súng phun khi nối/tháo rời vòi phun.

Lắp đầu của vòi vào khe trên súng phun và vận nó theo hướng mũi tên trong hình. Để tháo rời vòi phun, vận vòi phun theo hướng ngược lại trong khi ấn vòi về phía súng phun.

► **Hình23:** 1. Súng phun 2. Khe 3. Phần cuối của vòi

Nối vòi phun bọt

Phụ kiện tùy chọn

⚠ THẬN TRỌNG: Luôn khóa cần khởi động của súng phun khi nối/tháo rời vòi phun.

Chuẩn bị chất tẩy rửa trước khi sử dụng vòi phun bọt.

1. Tháo vòi phun từ thùng chứa bằng xoay vòi phun ngược chiều kim đồng hồ. Gắn vòi phun vào súng phun.

► **Hình24:** 1. Vòi phun 2. Súng phun

2. Đổ chất tẩy rửa vào thùng chứa nước và lắp vào vòi phun.

► **Hình25:** 1. Thùng chứa

CHÚ Ý: Luôn luôn sử dụng chất tẩy rửa trung tính. Chất tẩy rửa có tính axit hoặc tính kiềm cao có thể làm hỏng thùng chứa hay vòi phun.

Đặt hộp chứa dụng cụ bằng nhựa lên hộp chứa

Phụ kiện tùy chọn

Bạn có thể đặt hộp chứa dụng cụ bằng nhựa Makita trên phần trên cùng của hộp chứa. Đặt hộp chứa dụng cụ bằng nhựa lên hộp chứa để máy được cố định với các bệ đỡ trên nắp của hộp chứa.

► **Hình26:** 1. Hộp chứa dụng cụ bằng nhựa 2. Bệ đỡ

Đặt hộp chứa lên xe đẩy

Phụ kiện tùy chọn

Khi di chuyển hộp chứa với xe đẩy Makita, đặt hộp chứa vào vị trí. Đảm bảo phần đáy của hộp chứa vừa khít với phần bệ của xe đẩy.

► **Hình27:** 1. Bề mặt đáy của hộp chứa 2. Phần bệ của xe đẩy

⚠ THẬN TRỌNG: Khi sử dụng xe đẩy, không di chuyển hộp chứa đầy nước. Làm như vậy có thể gây mất thăng bằng và dẫn đến thương tích cá nhân hoặc gây biến dạng hộp chứa dẫn đến rò rỉ nước.

VẬN HÀNH

⚠ CẢNH BÁO: Không chạm vào tia nước hoặc hướng tia nước vào chính bạn hoặc người khác. Tia nước rất nguy hiểm và có thể làm tổn thương bạn hoặc người khác.

⚠ CẢNH BÁO: Khi phun tia nước, không bao giờ cầm giữ vật thể bạn đang làm sạch hoặc để tay hoặc chân của bạn gần tia nước.

⚠ THẬN TRỌNG: Cẩn thận với lực văng ngược lại của tia nước và vật thể bị thổi. Không đưa vòi phun đến gần vật thể hơn 30 cm.

⚠ THẬN TRỌNG: Không chạy máy xịt rửa cao áp mà không có nước hoặc dài hơn 1 phút.

⚠ THẬN TRỌNG: Không vận hành máy xịt rửa cao áp trong khoảng thời gian dài. Điều này có thể làm máy bị quá nhiệt hoặc cháy. Ngoài ra, sử dụng trong thời gian dài có thể gây ra chấn thương do rung.

⚠ THẬN TRỌNG: Phải lưu ý hướng gió. Nếu chất tẩy rửa dính mắt hoặc miệng của bạn, rửa sạch với nước sạch ngay lập tức và tìm trợ giúp chăm sóc y tế nếu cần thiết.

CHÚ Ý: Tránh sử dụng máy xịt rửa cao áp lâu hơn 1 giờ. Sau khi sử dụng 1 giờ, tạm ngưng ít nhất một tiếng.

CHÚ Ý: Để bảo vệ máy móc của máy xịt rửa cao áp, không sử dụng nước nóng hơn 40°C.

1. Nối một đầu của ống dẫn cao áp vào súng phun và đầu còn lại vào máy xịt rửa cao áp.
2. Nối máy xịt rửa cao áp và vòi nước bằng ống dẫn nước. Sau đó, mở vòi nước.
► **Hình28**
3. Mở nắp che và lắp hộp pin vào máy xịt rửa cao áp rồi khóa nắp che.
► **Hình29:** 1. Hộp pin 2. Nắp che
4. Vận công tắc nguồn sang chế độ bạn mong muốn.
► **Hình30:** 1. Chế độ áp lực thấp 2. Vị trí OFF (TẮT) 3. Chế độ áp lực cao

5. Để xịt nước, mở khóa cỡ chặn và kéo cò khởi động. Tia nước sẽ được phun ra liên tục khi giữ cò.

► **Hình31:** 1. Cỡ chặn

⚠ THẬN TRỌNG: Giữ chắc súng phun. Súng phun sẽ giật ngược lại khi bạn kéo cò.

⚠ THẬN TRỌNG: Luôn giữ súng phun bằng tay cầm và thùng khi phun tia nước.

CHÚ Ý: Cẩn thận không kéo súng phun quá mạnh trong quá trình vận hành. Điều này có thể làm đổ máy xịt rửa cao áp.

CHÚ Ý: Khi tạm dừng hoạt động trong thời gian dài, hãy tắt máy xịt rửa áp lực cao cầm tay hoạt động bằng động cơ điện và giữ cò khởi động để xả hết lượng nước còn lại.

Nếu máy xịt rửa áp lực cao cầm tay hoạt động bằng động cơ điện được để trong thời gian dài trong khi vẫn duy trì áp suất cao, máy có thể không khởi động lại. Trong tình huống này, hãy tắt máy xịt rửa áp lực cao cầm tay hoạt động bằng động cơ điện, cấp nước từ vòi đến ngõ vào và giữ cò khởi động đồng thời giữ nguồn cấp nước một lúc. Sau đó, bật máy xịt rửa áp lực cao cầm tay hoạt động bằng động cơ điện.

Khi bạn tạm dừng hoạt động, bạn có thể tạm thời tắt súng phun xuống như trong hình.

► **Hình32**

Sau khi sử dụng

⚠ THẬN TRỌNG: Sau khi vận hành máy xịt rửa cao áp, luôn thực hiện theo quy trình được mô tả trong hướng dẫn này. Áp lực còn lại trong súng phun hoặc máy xịt rửa cao áp có thể gây ra thương tích cá nhân hoặc hư hỏng cho máy bơm bên trong.

1. Tắt máy xịt rửa cao áp.
2. Đóng vòi nước và tháo ống dẫn nước khỏi máy xịt rửa cao áp.
► **Hình33**
3. Mở lại máy xịt rửa cao áp.
4. Giữ cò khởi động cho đến khi nước còn lại trong máy xịt rửa cao áp được xả hết.
► **Hình34**

CHÚ Ý: Không chạy động cơ lâu hơn 1 phút.

5. Tắt máy xịt rửa cao áp và tháo hộp pin.
► **Hình35:** 1. Công tắc nguồn chính 2. Hộp pin
6. Tháo ống dẫn cao áp khỏi súng phun và máy xịt rửa cao áp.
► **Hình36:** 1. Súng phun 2. Ống dẫn cao áp 3. Máy xịt rửa cao áp

CHÚ Ý: Để ngăn chặn ống dẫn cao áp khỏi bị hư hỏng, hãy xả hết nước còn lại trong ống trước khi cất giữ.

BẢO DƯỠNG & CẮT GIỮ

⚠ THẬN TRỌNG: Luôn đảm bảo rằng dụng cụ đã được tắt và hộp pin đã được tháo ra trước khi cố gắng thực hiện việc kiểm tra hay bảo dưỡng.

CHÚ Ý: Không được phép dùng xăng, ét xăng, dung môi, cồn hoặc hóa chất tương tự. Có thể xảy ra hiện tượng mất màu, biến dạng hoặc nứt vỡ.

Để đảm bảo ĐỘ AN TOÀN và ĐỘ TIN CẬY của sản phẩm, việc sửa chữa hoặc bất cứ thao tác bảo trì, điều chỉnh nào đều phải được thực hiện bởi các Trung tâm Dịch vụ Nhà máy hoặc Trung tâm được Makita Ủy quyền và luôn sử dụng các phụ tùng thiết bị thay thế của Makita.

Làm sạch vòi phun

Sử dụng kim làm sạch để loại bỏ bụi bẩn khỏi vòi phun được thông tắc vòi phun.

► **Hình37:** 1. Kim làm sạch

CHÚ Ý: Không được loại bỏ bụi bẩn hoặc mảnh vụn một cách quá mạnh. Điều này có thể dẫn đến thương tích cá nhân hoặc gây hư hỏng lỗ phun dẫn đến tia bị lệch hoặc hiệu suất kém.

Làm sạch bộ lọc

Tách đầu nối ống dẫn nước, loại bỏ bụi bẩn và các mảnh vỡ từ bên trong bộ lọc.

► **Hình38:** 1. Đầu nối ống dẫn nước 2. Bộ lọc 3. Vòng đệm kín

Khi sử dụng bộ ống hút (phụ tùng tùy chọn), tháo bộ lọc ra khỏi ống lọc và loại bỏ bụi bẩn và các mảnh vỡ.

► **Hình39:** 1. Bộ lọc 2. Ống lọc

LƯU Ý: Để duy trì hiệu suất tối ưu, làm sạch bộ lọc định kỳ.

Cắt giữ

⚠ THẬN TRỌNG: Luôn luôn cắt giữ tại vị trí trong nhà, nơi nhiệt độ không xuống thấp hơn nhiệt độ đông lạnh. Nếu Máy xịt rửa cao áp đóng băng và gặp trục trặc, liên hệ trung tâm dịch vụ địa phương của bạn để sửa chữa.

Lưu trữ các phụ kiện trong túi bên của máy xịt rửa áp lực cao cầm tay hoạt động bằng động cơ điện.

Ví dụ về cách bảo quản

► **Hình40:** 1. Ống dẫn cao áp 2. Vòi phun 3. Súng phun

Nếu kiểu máy của bạn được cung cấp cùng hộp chứa, hãy cắt giữ máy xịt rửa áp lực cao cầm tay hoạt động bằng động cơ điện và phụ kiện trong đó.

Ví dụ về cách bảo quản

► **Hình41:** 1. Máy Xịt Rửa Áp Lực Cao Cầm Tay Hoạt Động Bằng Động Cơ Điện 2. Vòi phun 3. Súng phun 4. Bàn chải cọ rửa 5. Vòi phun bọt 6. Ống dẫn cao áp 7. Bộ sạc 8. Bộ ống hút 9. Ống dẫn nước chịu áp lực

LƯU Ý: Một số phụ kiện minh họa như trong hình được cung cấp ở một số quốc gia dưới dạng phụ kiện tùy chọn.

XỬ LÝ SỰ CỐ

Trước khi yêu cầu sửa chữa, đầu tiên hãy tự tiến hành kiểm tra của riêng bạn. Nếu bạn phát hiện vấn đề nào đó không được giải thích trong sách hướng dẫn sử dụng này, đừng cố tháo dỡ dụng cụ. Thay vào đó, hãy nhờ Trung tâm dịch vụ Makita được ủy quyền, luôn sử dụng bộ phận thay thế của Makita để sửa chữa.

Tình trạng bất thường	Nguyên nhân tiềm tàng (sự cố hỏng hóc)	Biện pháp khắc phục
Máy xịt rửa không khởi động.	Không có điện	Lắp hộp pin đã được sạc đầy.
	Công tắc không bật.	Bật công tắc.
	Áp lực còn lại trong máy bơm	Kéo cò khởi động.
	Pin hoặc mạch điện bị hư hỏng	Liên hệ trung tâm dịch vụ được ủy quyền để yêu cầu sửa chữa.
	Máy xịt rửa áp lực cao cầm tay hoạt động bằng động cơ điện đã được để trong thời gian dài trong khi vẫn duy trì áp suất cao.	Tắt máy xịt rửa áp lực cao cầm tay hoạt động bằng động cơ điện, cấp nước từ vòi đến ngò vào và giữ cần khởi động bằng cách giữ nguồn cấp nước một lúc. Sau đó, bật máy xịt rửa áp lực cao cầm tay hoạt động bằng động cơ điện.

Tình trạng bất thường	Nguyên nhân tiềm tàng (sự cố hồng hóc)	Biện pháp khắc phục
Không có tia nước / tia nước yếu	Không có nguồn cấp nước	Đảm bảo rằng vòi nước đang mở. Nếu sử dụng bộ ống hút, đưa nước vào ống dẫn.
	Nguồn cấp nước yếu	Bật vòi nước.
	Đầu nối ống dẫn nước yếu	Kiểm tra kết nối giữa máy xịt rửa cao áp và vòi nước.
	Ống dẫn, ống lọc hoặc vòi phun bị tắc	Thông tắc ống dẫn, ống lọc hoặc vòi phun.
	Không khí đang ngăn dòng chảy của nước.	Tắt công tắc và sau đó bật lại một lần nữa trong khi giữ cố khởi động.
	Vòi phun bị hư hỏng hoặc mòn	Thay thế vòi phun.
Máy bơm hoặc van bị trục trặc	Liên hệ trung tâm dịch vụ được ủy quyền để yêu cầu sửa chữa.	
Tia nước không ổn định	Vòi phun bị tắc	Thông tắc lỗ phun của vòi phun bằng kim làm sạch.
	Hút nước yếu	Kiểm tra ống dẫn nước bắt đầu từ vòi nước để xem có rò rỉ hoặc tắc không. Bật vòi nước.
	Nước quá nóng.	Cấp nước mát.
	Van bị trục trặc	Liên hệ trung tâm dịch vụ được ủy quyền để yêu cầu sửa chữa.
Âm thanh bất thường	Nước quá nóng.	Cấp nước mát.
	Không khí bị tắc trong máy bơm.	Liên hệ trung tâm dịch vụ được ủy quyền để yêu cầu sửa chữa.
Rò rỉ nước	Kết nối kém	Kiểm tra kết nối giữa máy xịt rửa cao áp và súng phun cũng như vòi nước.
	Vòng đệm bị mòn	Liên hệ trung tâm dịch vụ được ủy quyền để yêu cầu sửa chữa.

PHỤ KIỆN TỰY CHỌN

⚠ THẬN TRỌNG: Các phụ kiện hoặc phụ tùng gắn thêm này được khuyến cáo sử dụng với dụng cụ Makita của bạn theo như quy định trong hướng dẫn này. Việc sử dụng bất cứ phụ kiện hoặc phụ tùng gắn thêm nào khác đều có thể gây ra rủi ro thương tích cho người. Chỉ sử dụng phụ kiện hoặc phụ tùng gắn thêm cho mục đích đã quy định sẵn của chúng.

Nếu bạn cần bất kỳ sự hỗ trợ nào để biết thêm chi tiết về các phụ tùng này, hãy hỏi Trung tâm Dịch vụ của Makita tại địa phương của bạn.

LƯU Ý: Một số mục trong danh sách có thể được bao gồm trong gói dụng cụ làm phụ kiện tiêu chuẩn. Các mục này ở mỗi quốc gia có thể khác nhau.

Súng phun Vario-Power

► Hình42

Có thể điều chỉnh áp lực tia nước bằng cách xoay vòi.

⚠ THẬN TRỌNG: Khi điều chỉnh áp lực tia nước, không xoay đầu vòi trong khi đang kéo nó về phía súng phun. Đầu vòi phun có thể bị bắn ra từ súng phun và gây thương tích cá nhân.

Vòi phun bọt

Quốc gia cụ thể

► Hình43

Có thể phun chất tẩy rửa dưới dạng bọt.

Bàn chải cọ rửa (dài)

► Hình44

Vòi phun được trang bị một bàn chải. Có tác dụng làm sạch bụi bẩn khi chà bằng bàn chải.

Bộ ống hút

► Hình45

Thay thế ống dẫn nước bằng bộ này để cấp nước từ thùng hay bể chứa.

Quay bàn chải cọ rửa

► Hình46

Ba bàn chải bên trong xoay chậm trong khi phun tia nước. Thích hợp để làm sạch các bụi bẩn nhẹ trên tường ngoài, thân xe, bồn tắm, v.v...

Nối dài súng phun

► Hình47

Các ống để nối dài chiều dài của súng phun. Có thể thay đổi ba độ dài khác nhau bằng cách thay đổi số ống sử dụng.

Súng phun thân dưới

► Hình48

Súng phun siêu dài với vòi phun góc cạnh. Sử dụng tốt nhất để làm sạch các khu vực khó với tới như thân dưới ô tô và máng nước trên mái nhà.

⚠ THẬN TRỌNG: Không sử dụng súng phun thân dưới với phần súng kéo dài.

Nắp chắn văng bắn

► Hình49

Giảm việc văng bắn về phía sau khi làm sạch các góc bằng vòi xịt bụi.

Khớp nối xoay

► Hình50

Ngăn ống dẫn cao áp khỏi bị xoắn.

Khớp nối

► Hình51

Khớp để nối vòi phun với kiểu máy khác.

Một số vòi phun tùy chọn cần khớp nối (phụ tùng tùy chọn) để gắn vào súng phun. Gắn khớp nối vào súng phun theo cách giống như vòi phun.

► **Hình52:** 1. Vòi phun 2. Khớp nối 3. Súng phun

LƯU Ý: Cần có các khớp nối khi sử dụng vòi phun đi kèm với kiểu máy khác, HW112 hoặc HW121.

Bộ làm sạch ống (10 m/15 m)

► Hình53

Để làm sạch và thông tắc ống cấp và thoát nước.

⚠ THẬN TRỌNG: Đặc biệt chú ý đến tia nước khi sử dụng bộ làm sạch ống. Tia nước cực mạnh bị phun ngược về phía sau. Đảm bảo lắp đầu ống dẫn vào ống trước khi kéo cần khởi động.

Ống dẫn cao áp nối dài (5 m/8 m/10 m)

► Hình54

Ống dẫn nối dài để nối thân máy xịt rửa cao áp với súng phun.

คำเตือน

- ไม่ควรให้เด็กใช้เครื่อง ควบคุมดูแลเด็กอย่างใกล้ชิด เพื่อป้องกันไม่ให้เด็กเล่นเครื่องนี้
- บุคคล (รวมถึงเด็ก) ที่มีความบกพร่องทางร่างกาย ประสาทสัมผัส และสภาพจิตใจ หรือขาดประสบการณ์และความรู้ไม่ควรใช้งานเครื่องนี้
- เครื่องนี้ออกแบบมาสำหรับใช้กับน้ำยาทำความสะอาดที่มีมาให้หรือที่ได้รับการแนะนำโดยผู้ผลิต การใช้น้ำยาหรือสารเคมีทำความสะอาดชนิดอื่นอาจส่งผลต่อความปลอดภัยของเครื่อง
- ในระหว่างการใช้เครื่องทำความสะอาดแรงดันสูง อาจเกิดละอองของเหลวขึ้น การสูดหายใจเอาละอองของเหลวเข้าไปอาจเป็นอันตรายต่อสุขภาพได้
- สามารถใช้หัวฉีดหุ้มซิลด์สำหรับการทำความสะอาดแรงดันสูง ซึ่งจะช่วยลดการปล่อยละอองของเหลวที่เป็นอันตรายได้อย่างมาก ทั้งนี้ขึ้นอยู่กับการใช้งาน อย่างไรก็ตาม อาจไม่สามารถใช้อุปกรณ์นี้ได้ในบางการใช้งาน หากไม่สามารถใช้หัวฉีดหุ้มซิลด์ได้สำหรับการป้องกันละอองลอย อาจจำเป็นต้องใช้หน้ากากป้องกันระบบทางเดินหายใจคลาส FFP 2 หรือเทียบเท่า ทั้งนี้ขึ้นอยู่กับสภาพแวดล้อมในการทำมาสะอาด
- นายจ้างต้องดำเนินการประเมินความเสี่ยงเพื่อระบุมাত্রการป้องกันที่จำเป็นเกี่ยวกับละอองของเหลว โดยขึ้นอยู่กับพื้นผิวที่ต้องทำความสะอาดและสภาพแวดล้อม หน้ากากป้องกันระบบทางเดินหายใจคลาส FFP 2 หรือเทียบเท่าหรือสูงกว่า เหมาะสำหรับการป้องกันละอองของเหลว
- หัวฉีดแรงดันสูงอาจเป็นอันตรายหากนำไปใช้ผิดวิธี อย่าหันหัวฉีดไปทางบุคคลอื่น อุปกรณ์ไฟฟ้าที่มีกระแสไฟไหลผ่าน หรือตัวเครื่องเอง
- อย่าใช้เครื่องนี้ภายในขอบเขตที่มีบุคคลอื่นอยู่ นอกจากบุคคลนั้นสวมใส่ชุดป้องกันอยู่
- อย่าหันหัวฉีดเข้าหาตัวเองหรือบุคคลอื่นโดยตรงเพื่อที่จะทำความสะอาดเสื้อผ้าหรือรองเท้า
- เลี่ยงต่อการระเบิด — อย่าพ่นของเหลวไวไฟ
- เด็กหรือผู้ที่ไม่ผ่านการอบรมไม่ควรใช้งานเครื่องฉีดน้ำแรงดันสูง
- สายยางแรงดันสูง อุปกรณ์ และข้อต่อมีความสำคัญสำหรับความปลอดภัยของเครื่อง ใช้สายยาง อุปกรณ์ และข้อต่อที่ได้รับการแนะนำโดยผู้ผลิตเท่านั้น

- เพื่อความปลอดภัยของเครื่อง ควรใช้อะไหล่จากผู้ผลิตหรือที่ผ่านการรับรองโดยผู้ผลิตแล้วเท่านั้น
- ตรวจสอบให้แน่ใจว่าได้ปิดสวิทช์เครื่องมือและถอดตลับแบตเตอรี่ออกแล้วก่อนดำเนินการใดๆ กับเครื่องมือ
- อย่าใช้งานเครื่องหากชิ้นส่วนสำคัญของเครื่องเสียหาย เช่น อุปกรณ์นิรภัย สายยาง แรงดันสูง ปืนฉีด
- ถอดตลับแบตเตอรี่ออกเสมอเมื่อปล่อยเครื่องทิ้งไว้โดยไม่มีผู้ดูแล
- ปฏิบัติตามข้อกำหนดขององค์การประสานส่วนท้องถิ่น
- สำหรับประเทศในทวีปยุโรป:
ตาม EN12729 (BA) เครื่องมือนี้สามารถเชื่อมต่อกับน้ำประปาสำหรับดื่มได้หากมีการติดตั้งวาล์วป้องกันการไหลย้อนกลับพร้อมอุปกรณ์ระบายน้ำในท่อจ่ายน้ำ

ข้อมูลจำเพาะ

รุ่น:	DHW080	
ปริมาณการป้อนน้ำสูงสุด ^{*1}	6.3 L/min	
อัตราการไหลของน้ำ ^{*2}	โหมดระดับสูง	5.5 L/min
	โหมดระดับต่ำ	4.0 L/min
แรงดันสูงสุดที่อนุญาตให้ใช้ได้	8.0 MPa	
แรงดันในการทำงาน ^{*2}	โหมดระดับสูง	5.5 MPa
	โหมดระดับต่ำ	3.0 MPa
แรงดันการป้อนน้ำสูงสุด	1.0 MPa	
อุณหภูมิการป้อนน้ำสูงสุด	40 °C	
ความสูงสูงสุดในการสูบน้ำ	1 m	
แรงดันไฟฟ้าสูงสุด	D.C. 36 V	
ขนาด (ยาว x กว้าง x สูง)	438 mm x 218 mm x 269 mm	
น้ำหนัก	7.1 - 7.7 kg	

*1 : เมื่อใช้แปรงทำความสะอาด

*2 : เมื่อใช้ที่ฉีดพ่น

- เนื่องจากการค้นคว้าวิจัยและพัฒนาอย่างต่อเนื่อง ข้อมูลจำเพาะในเอกสารฉบับนี้อาจเปลี่ยนแปลงได้โดยไม่ต้องแจ้งให้ทราบล่วงหน้า
- ข้อมูลจำเพาะอาจแตกต่างกันไปในแต่ละประเทศ
- น้ำหนักอาจแตกต่างกันไปตามอุปกรณ์เสริม รวมถึงตลับแบตเตอรี่ การติดอุปกรณ์เสริมที่เบาที่สุดและหนักที่สุดตามข้อบังคับของ EPTA 01/2014 มีแสดงอยู่ในตาราง

ดัลล์แบตเตอรี่และเครื่องชาร์จที่ใช้ได้


ดัลล์แบตเตอรี่	BL1815N / BL1820 / BL1820B / BL1830 / BL1830B / BL1840 / BL1840B / BL1850 / BL1850B / BL1860B
เครื่องชาร์จ	DC18RC / DC18RD / DC18RE / DC18SD / DC18SE / DC18SF / DC18SH


- ดัลล์แบตเตอรี่และเครื่องชาร์จบางรายการที่แสดงอยู่ด้านบนอาจไม่มีวางจำหน่ายขึ้นอยู่กับภูมิภาคที่คุณอาศัยอยู่


คำเตือน: ใช้ดัลล์แบตเตอรี่และเครื่องชาร์จที่ระบุไว้ข้างบนเท่านั้น การใช้ดัลล์แบตเตอรี่และเครื่องชาร์จประเภทอื่นอาจก่อให้เกิดความเสี่ยงที่จะได้รับบาดเจ็บและ/หรือเกิดไฟไหม้


สัญลักษณ์


ต่อไปนี้เป็นสัญลักษณ์ที่อาจใช้สำหรับอุปกรณ์ โปรดศึกษาความหมายของสัญลักษณ์ให้เข้าใจก่อนการใช้งาน

 อ่านคู่มือการใช้งาน

 ใช้ความระมัดระวังและความสนใจเป็นพิเศษ

 สำหรับประเทศในสหภาพยุโรปเท่านั้น ห้ามทิ้งอุปกรณ์ไฟฟ้าหรือชุดแบตเตอรี่รวมกับขยะครัวเรือนทั่วไป เพื่อให้เป็นไปตามกฎระเบียบของยุโรปเกี่ยวกับขยะจำพวกอุปกรณ์ไฟฟ้าและอิเล็กทรอนิกส์ และขยะจำพวกแบตเตอรี่และหม้อสะสมไฟฟ้า และการปฏิบัติตามกฎหมายในประเทศ ต้องเก็บอุปกรณ์ไฟฟ้าและแบตเตอรี่และชุดแบตเตอรี่ทั้งหมดอายุการใช้งานแล้วแยกต่างหาก และส่งกลับไปยังศูนย์รีไซเคิลที่เป็นมิตรต่อสิ่งแวดล้อม

 อย่าเชื่อมต่อกับก้อนน้ำสำหรับบริโภค

 อย่าหันหัวฉีดไปทางบุคคลอื่น รวมถึงตัวเอง สัตว์ และอุปกรณ์ไฟฟ้าที่มีกระแสไฟไหลผ่าน

จุดประสงค์การใช้งาน

เครื่องมือนี้ใช้สำหรับทำความสะอาดสิ่งสกปรกที่ติดแน่นโดยใช้น้ำแรงดันสูง เครื่องมือนี้มีไว้สำหรับใช้ในครัวเรือน

คำเตือนด้านความปลอดภัยที่สำคัญ

คำเตือน: อ่านคำเตือนด้านความปลอดภัยและคำแนะนำทั้งหมด การไม่ปฏิบัติตามคำเตือนและคำแนะนำดังกล่าวอาจส่งผลให้ไฟฟ้าช็อต ไฟไหม้ และ/หรือได้รับบาดเจ็บร้ายแรง

เก็บรักษาคำเตือนและคำแนะนำทั้งหมดไว้เป็นข้อมูลอ้างอิงในอนาคต

คำเตือน — เมื่อใช้เครื่องใช้ไฟฟ้านี้ โปรดปฏิบัติตามข้อควรระวังพื้นฐาน ซึ่งรวมถึงคำแนะนำดังต่อไปนี้:

ความปลอดภัยของพื้นที่ทำงาน

- อย่าให้บุคคลอื่นเข้าใกล้บริเวณปฏิบัติงาน
- อย่าใช้งานเครื่องมือแบบสูดเอี่ยมหรือยืนบนฐานที่ไม่มั่นคง จัดทำยืนและทรงตัวให้เหมาะสมตลอดเวลาที่ใช้งานเครื่องมือ
- วางตัวเครื่องฉีดน้ำแรงดันสูงไว้บนพื้นผิวราบเรียบและมั่นคงเสมอ หลีกเลี่ยงพื้นที่ที่น้ำจะไหลหรือขัง
- ก่อนทำความสะอาด ให้ตรวจสอบสภาพแวดล้อมและวัตถุที่ต้องการจะทำความสะอาด หัวฉีดแรงดันสูงอาจทำให้สีหรือสารเคลือบพื้นผิวต่างๆ รวมถึงสารเคมีที่เป็นพิษหลุดลอกได้ ใช้มาตรการป้องกันหากจำเป็น
- ระวังอย่าสะดุดสายของเครื่องฉีดน้ำแรงดันสูง ระวังรูปทรงของสายในระหว่างการทำงานเสมอ
- ระหว่างการใช้งาน จะมีน้ำไหลออกจากด้านล่างของเครื่องฉีดน้ำแรงดันสูงเล็กน้อย หลีกเลี่ยงการวางเครื่องฉีดน้ำแรงดันสูงในบริเวณที่คุณไม่ต้องการให้เปียก

ความปลอดภัยส่วนบุคคล

1. เพื่อป้องกันตัวจากน้ำแรงดันสูงและวัตถุ ที่เกิดจากการฉีด ผู้ปฏิบัติงานควรสวมใส่เสื้อผ้าที่เหมาะสม เช่น รองเท้าบูทนิรภัย ถุงมือนิรภัย หมวกนิรภัยที่มีกระบังหน้า อุปกรณ์ป้องกันหู ฯลฯ
2. อย่าใช้เครื่องฉีดน้ำแรงดันสูงภายในขอบเขตที่มีบุคคลอื่นอยู่ นอกจากบุคคลนั้นสวมใส่ชุดป้องกัน
3. ควรระมัดระวังเป็นพิเศษหากใช้ผลิตภัณฑ์ใกล้เด็ก เพื่อลดความเสี่ยงที่จะทำให้ได้รับบาดเจ็บ
4. หากเชื่อมต่อกับระบบน้ำสำหรับบริโภค ระบบจะป้องกันการไหลย้อนกลับ
5. น้ำที่ไหลผ่านอุปกรณ์ป้องกันการไหลย้อนกลับไม่ควรนำไปบริโภค

ความปลอดภัยด้านไฟฟ้า

1. ห้ามสัมผัสสวิตช์เบตเตอร์ด้วยมือที่เปียก
2. อย่าใช้งานเครื่องหากชิ้นส่วนสำคัญของเครื่องเสียหาย เช่น อุปกรณ์นิรภัย สายยางแรงดันสูง หรือปืนฉีด การใช้งานและดูแลเครื่องมือไฟฟ้า
1. อ่านคำแนะนำทั้งหมดก่อนใช้งานผลิตภัณฑ์นี้
2. เรียนรู้วิธีการหยุดเครื่องฉีดน้ำแรงดันสูงและไล่แรงดันอย่างรวดเร็ว ฝึกการควบคุมต่างๆ จนคุ้นเคยเป็นอย่างดี
3. หัวฉีดแรงดันสูงอาจเป็นอันตรายหากใช้ผิดวิธี อย่าหันหัวฉีดไปทางบุคคลอื่น อุปกรณ์ไฟฟ้าที่มีกระแสไฟไหลผ่าน หรือตัวเครื่องเอง
4. บุคคล (รวมถึงเด็ก) ที่มีความบกพร่องทางร่างกาย ประสาทสัมผัส และสภาพจิตใจ หรือขาดประสบการณ์และความรู้ไม่ควรใช้งานเครื่องนี้
5. ควรดูแลเด็กอย่างใกล้ชิดเพื่อป้องกันไม่ให้เด็กเล่นเครื่องนี้
6. อย่าฉีดพ่นของเหลวไวไฟและ/หรือเป็นพิษ เนื่องจากอาจก่อให้เกิดการระเบิด ภาวะเป็นพิษ หรือทำให้เครื่องเสียหายได้
7. อย่าหันหัวฉีดเข้าหาตัวเองหรือบุคคลอื่นโดยตรงเพื่อที่จะทำความสะอาดเสื้อผ้าหรือรองเท้า
8. สายยางแรงดันสูง อุปกรณ์ และข้อต่อมีความสำคัญสำหรับความปลอดภัยของเครื่อง ใช้สายยาง อุปกรณ์ และข้อต่อที่ได้รับการแนะนำโดยผู้ผลิตเท่านั้น
9. ปฏิบัติตามคำแนะนำเมื่อมีการเปลี่ยนอุปกรณ์เสริม
10. ดูแลมือจับให้แห้ง สะอาด และปราศจากน้ำมันหรือจาระบี
11. ระเบิดระวางอยู่เสมอ มีสมมติจذبกับสิ่งที่กำลังทำอยู่
12. อย่าใช้งานผลิตภัณฑ์เมื่อรู้สึกอ่อนเพลีย หรืออยู่ในสภาวะมีเมฆจากแอลกอฮอล์หรือยาเสพติด

13. อย่าใช้งานเครื่องฉีดน้ำแรงดันสูงโดยไม่มีน้ำหนักว่าหนึ่งนาที่ เนื่องจากจะทำให้มอเตอร์เสียหาย และส่งผลให้เครื่องทำงานผิดปกติ
14. ปิดสวิตช์เครื่องและแหล่งจ่ายน้ำหลักเมื่อไม่ใช้งานเครื่องฉีดน้ำแรงดันสูง
15. ระวังแรงสะท้อนกลับ ปืนฉีดจะสะท้อนกลับเมื่อหัวฉีดปล่อยน้ำแรงดันสูง ถือปืนฉีดไว้ให้มันเพื่อป้องกันการบาดเจ็บจากอุบัติเหตุ
16. ตรวจสอบชิ้นส่วนที่ชำรุด หรือเสื่อมสภาพก่อนการใช้งาน ตรวจสอบให้แน่ใจว่าเชื่อมต่อสายฉีดอย่างถูกต้องและไม่มีการรั่วไหลขณะใช้งาน การใช้งานเครื่องที่ชำรุดของอาจทำให้เกิดอุบัติเหตุได้
17. เครื่องนี้ออกแบบมาสำหรับใช้กับน้ำยาทำความสะอาดที่มีมาให้หรือที่ได้รับการแนะนำโดยผู้ผลิต การใช้น้ำยาหรือสารเคมีทำความสะอาดชนิดอื่นอาจส่งผลต่อความปลอดภัยของเครื่อง
18. อย่าดึงสายเพื่อเคลื่อนย้ายตัวเครื่องฉีดน้ำแรงดันสูง เนื่องจากจะทำให้สายและส่วนที่เชื่อมต่อเสียหาย และส่งผลให้เกิดการลัดวงจรหรือการทำงานขัดข้องได้
19. อย่าวางวัตถุที่มีน้ำหนักมากบนสายยาง หรือขั้วรถทับสายยาง
20. ไล่แรงดันที่เหลือค้างในปืนฉีดออกให้หมดก่อนถอดสายยาง
21. เมื่อเชื่อมต่อสายยางกับแหล่งจ่ายน้ำหลัก โปรดปฏิบัติตามคำแนะนำของหน่วยงานการประปาในประเทศหรือบริษัทของคุณ
22. หากเครื่องฉีดน้ำแรงดันสูงหล่นหรือกระแทกกับวัตถุแข็ง ให้ตรวจสอบความเสียหายและรอยแตก การใช้เครื่องฉีดน้ำแรงดันสูงที่ชำรุดอาจทำให้เกิดคว้น ไฟไหม้ หรือเกิดไฟฟ้าช็อต ซึ่งส่งผลให้เกิดการบาดเจ็บได้
23. ในระหว่างการใช้เครื่องทำความสะอาดแรงดันสูง อาจเกิดละอองของเหลวขึ้น การสูดหายใจเอาละอองของเหลวเข้าไปอาจเป็นอันตรายต่อสุขภาพได้
24. สามารถใช้หัวฉีดหุ้มชนิดสำหรับการทำความสะอาดแรงดันสูง ซึ่งจะช่วยลดการปล่อยละอองของเหลวที่เป็นอันตรายได้อย่างมาก ทั้งนี้ขึ้นอยู่กับการใช้งาน อย่างไรก็ตาม อาจไม่สามารถใช้อุปกรณ์นี้ได้บางการใช้งาน หากไม่สามารถใช้หัวฉีดหุ้มชนิดได้สำหรับการป้องกันละอองลอย อาจจำเป็นต้องใช้หน้ากากป้องกันระบบทางเดินหายใจคลาส FFP 2 หรือเทียบเท่า ทั้งนี้ขึ้นอยู่กับสภาพแวดล้อมในการทำมาสะอาด

25. นายจ้างต้องดำเนินการประเมินความเสี่ยงเพื่อระบุมาตรการป้องกันที่จำเป็นเกี่ยวกับละอองของเหลว โดยขึ้นอยู่กับพื้นผิวที่ต้องทำความสะอาดและสภาพแวดล้อม หน้ากากป้องกันระบบทางเดินหายใจ คลาส FFP 2 หรือเทียบเท่าหรือสูงกว่า เหมาะสำหรับการป้องกันละอองของเหลว

26. ป้องกันไม่ให้เกิดการใช้งานโดยไม่ตั้งใจ ตรวจสอบให้แน่ใจว่าสวิตช์อยู่ในตำแหน่งปิดก่อนติดตั้งชุดแบตเตอรี่หรือทำการยกหรือเคลื่อนย้ายเครื่องมือ การเคลื่อนย้ายเครื่องมือโดยที่นิ้วมือของคุณอยู่บนสวิตช์หรือการจ่ายไฟแก่เครื่องมือโดยที่สวิตช์เปิดอยู่จะทำให้เกิดอุบัติเหตุได้

27. ถอดชุดแบตเตอรี่ออกจากเครื่องก่อนทำการปรับเปลี่ยน เปลี่ยนอุปกรณ์เสริม หรือจัดเก็บเครื่องใช้ไฟฟ้า มาตรการความปลอดภัยเชิงป้องกันดังกล่าวจะลดความเสี่ยงในการเริ่มใช้งานเครื่องมือโดยไม่ตั้งใจ

28. ห้ามดัดแปลงหรือพยายามซ่อมเครื่องมือหรือชุดแบตเตอรี่ด้วยตนเอง ยกเว้นทำตามคำแนะนำในการใช้งานและการดูแลรักษาที่ระบุไว้ในคู่มือการใช้และการดูแลรักษา

29. คำเตือน — ความเสี่ยงของการฉีดเข้าร่างกายหรือได้รับบาดเจ็บ — ห้ามปล่อยกระแสไฟฟ้าไปยังบุคคลโดยตรง

การใช้งานและดูแลเครื่องมือที่ใช้แบตเตอรี่

1. ชาร์จไฟใหม่ด้วยเครื่องชาร์จที่ระบุโดยผู้ผลิตเท่านั้น เครื่องชาร์จที่เหมาะสมสำหรับชุดแบตเตอรี่ประเภทหนึ่งอาจเสี่ยงที่จะเกิดไฟไหม้หากนำไปใช้กับชุดแบตเตอรี่อีกประเภทหนึ่ง

2. ใช้เครื่องมือไฟฟ้ากับชุดแบตเตอรี่ที่กำหนดมาโดยเฉพาะเท่านั้น การใช้ชุดแบตเตอรี่ประเภทอื่นอาจทำให้เสี่ยงที่จะได้รับบาดเจ็บและเกิดไฟไหม้

3. เมื่อไม่ใช้งานชุดแบตเตอรี่ ให้เก็บห่างจากวัตถุที่เป็นโลหะอื่นๆ เช่น คลิปหนีบกระดาษ เหรียญ กุญแจ กรรไกรตัดเล็บ สกรู หรือวัตถุที่เป็นโลหะขนาดเล็กอื่นๆ ที่สามารถเชื่อมต่อชั่วคราวกับอีกขั้วหนึ่งได้ การลัดวงจรขั้วแบตเตอรี่อาจทำให้อ่อนจัดหรือเกิดไฟไหม้

4. ในกรณีที่ใช้งานไม่ถูกต้อง อาจมีของเหลวไหลออกจากแบตเตอรี่ ให้หลีกเลี่ยงการสัมผัส หากสัมผัสโดนของเหลวโดยไม่ตั้งใจ ให้ล้างออกด้วยน้ำ หากของเหลวกระเด็นเข้าตา ให้รีบไปพบแพทย์ ของเหลวที่ไหลออกจากแบตเตอรี่อาจทำให้ผิวหนังระคายเคืองหรือไหม้

5. ห้ามใช้ชุดแบตเตอรี่หรือเครื่องมือที่ชำรุดหรือมีการแก้ไข แบตเตอรี่ที่เสียหายหรือมีการแก้ไขอาจทำให้เกิดสิ่งที่ไม่พึงประสงค์ เช่น ไฟไหม้ ระเบิด หรือเสี่ยงต่อการบาดเจ็บ

6. ห้ามให้ชุดแบตเตอรี่อยู่ใกล้ไฟ หรือบริเวณที่มีอุณหภูมิสูงเกิน หากโดนไฟ หรืออุณหภูมิสูงเกิน 130 °C อาจก่อให้เกิดการระเบิดได้

7. กรุณาปฏิบัติตามคำแนะนำสำหรับกาชาร์จไฟ และห้ามชาร์จแบตเตอรี่หรือเครื่องมือในบริเวณที่มีอุณหภูมินอกเหนือไปจากที่ระบุในคำแนะนำ การชาร์จไฟที่ไม่เหมาะสม หรืออุณหภูมินอกเหนือไปจากช่วงอุณหภูมิที่ระบุในคำแนะนำอาจทำให้แบตเตอรี่เสียหายและเป็นการเพิ่มความเสี่ยงในการเกิดไฟไหม้

การซ่อมบำรุง

1. ปฏิบัติตามคำแนะนำเกี่ยวกับการบำรุงรักษาที่ระบุไว้ในคู่มือนี้

2. เพื่อความปลอดภัยของเครื่อง ควรใช้อะไหล่จากผู้ผลิตหรือที่ผ่านการรับรองโดยผู้ผลิตแล้วเท่านั้น

3. นำเครื่องฉีดน้ำแรงดันสูงเข้ารับการซ่อมกับช่างซ่อมที่ผ่านการรับรองโดยใช้ชิ้นส่วนทดแทนแบบเดียวกับของเดิมเท่านั้น ซึ่งจะเป็นการรับรองความปลอดภัยของเครื่องฉีดน้ำแรงดันสูง

4. ในกรณีที่เครื่องฉีดน้ำแรงดันสูงเสียหายหรือทำงานผิดปกติ ให้ปิดสวิตช์ทันที แล้วนำปลั๊กแบตเตอรี่ออก ติดต่อด้านจำหน่ายหรือศูนย์บริการในประเทศของคุณ คำเตือนด้านความปลอดภัยเพิ่มเติม

1. ปฏิบัติตามข้อกำหนดขององค์การประสานท้องถิ่น อย่าใช้เครื่องมือเมื่อมีความเสี่ยงที่จะเกิดฟ้าผ่า

2. เมื่อคุณใช้เครื่องมือบนพื้นที่เป็นโคลน ทางลาดที่เปียกหรือสถานที่ที่ลื่น ให้ระวังการลื่นของคุณ

3. หลีกเลี่ยงการทำงานในสภาพแวดล้อมที่อาจทำให้ผู้ใช้ทำงานเหนื่อยล้ามากขึ้น

4. อย่าเปลี่ยนแบตเตอรี่กลางฝน

5. อย่าจุ่มเครื่องมือลงในอ่างน้ำ

6. อย่าวางเครื่องมือทิ้งไว้นอกอาคารกลางฝน

7. เมื่อใบไม้เปียกหรือเศษสิ่งสกปรกติดอยู่กับปากดูด (ช่องระบายอากาศ) เนื่องจากฝน ให้เอาออก

8. อย่าล้างเครื่องมือด้วยน้ำแรงดันสูง

9. เมื่อล้างทำความสะอาดเครื่องมือ อย่าให้น้ำเข้าไปด้านในกลไกไฟฟ้า เช่น แบตเตอรี่ มอเตอร์ และขั้วต่อต่างๆ

10. เมื่อจัดเก็บเครื่องมือ ให้หลีกเลี่ยงแสงแดดโดยตรงและฝน และจัดเก็บเครื่องมือไว้ในที่ที่จะไม่เกิดความร้อนหรือความชื้น

12. ทำการตรวจสอบหรือบำรุงรักษาในสถานที่ที่สามารถหลีกเลี่ยงฝนได้
 13. หลังจากใช้เครื่องมือแล้ว ให้ทำความสะอาดสิ่งสกปรกที่ติดอยู่ออก และปล่อยให้เครื่องมือแห้งสนิทก่อนนำไปจัดเก็บ มีความเสี่ยงที่เครื่องจะทำงานผิดปกติเนื่องจากการเป็นน้ำแข็ง โดยขึ้นอยู่กับฤดูกาลหรือพื้นที่
 14. อย่าให้ขั้วแบตเตอรี่เปียกของเหลว เช่น น้ำ หรืออย่าให้แบตเตอรี่แช่ในน้ำ อย่าทิ้งแบตเตอรี่ไว้กลางฝนและไม้ซาร์จ ใช้ หรือเก็บแบตเตอรี่ในสถานที่ที่ชื้นหรือเปียก หากขั้วเปียกหรือของเหลวเข้าไปด้านในแบตเตอรี่ แบตเตอรี่อาจลัดวงจร และมีความเสี่ยงที่จะเกิดความร้อนสูง ไฟไหม้ หรือระเบิดได้
 15. หลังถอดแบตเตอรี่ออกจากเครื่องมือหรือเครื่องชาร์จ ตรวจสอบให้แน่ใจว่าได้ติดตั้งฝาครอบแบตเตอรี่เข้ากับแบตเตอรี่และเก็บไว้ในที่แห้งแล้ว
 16. อย่าเปลี่ยนแบตเตอรี่ด้วยมือที่เปียก
1. ปฏิบัติตามข้อกำหนดขององค์การประสานงานท้องถิ่น
 2. อย่าใช้แหล่งจ่ายไฟที่มีสายเช่นอะแดปเตอร์แบตเตอรี่หรือชุดต้นกำลังแบบพกพากับเครื่องใช้นี้ สายของแหล่งจ่ายไฟดังกล่าวอาจเข้าไปขวางการทำงานของเครื่องและทำให้เกิดอันตรายแก่ตัวผู้ใช้ได้

ปฏิบัติตามคำแนะนำเหล่านี้

คำเตือน: อย่านำความไม่ระมัดระวังหรือความคุ้นเคยกับผลิตภัณฑ์ (จากการใช้งานซ้ำหลายครั้ง) อยู่เหนือการปฏิบัติตามกฎเกณฑ์ด้านความปลอดภัยในการใช้งานผลิตภัณฑ์อย่างเคร่งครัด

การใช้งานอย่างไม่เหมาะสมหรือการไม่ปฏิบัติตามกฎเกณฑ์ด้านความปลอดภัยในคู่มือการใช้งานนี้อาจทำให้ได้รับบาดเจ็บรุนแรง

คำแนะนำเพื่อความปลอดภัยที่สำคัญสำหรับดัลล์แบตเตอรี่

1. ก่อนใช้งานดัลล์แบตเตอรี่ให้อ่านคำแนะนำและเครื่องหมายเตือนทั้งหมดบน (1) เครื่องชาร์จแบตเตอรี่ (2) แบตเตอรี่ และ (3) ตัวผลิตภัณฑ์ที่ใช้แบตเตอรี่
2. ห้ามถอดแยกส่วนดัลล์แบตเตอรี่
3. หากระยะเวลาที่เครื่องทำงานสั้นเกินไป ให้หยุดใช้งานทันที เนื่องจากอาจมีความเสี่ยงที่จะร้อนจัด ไฟไหม้หรือระเบิดได้

4. หากสารละลายอิเล็กโทรไลต์กระเด็นเข้าตา ให้ล้างออกด้วยน้ำเปล่าและรีบไปพบแพทย์ทันที เนื่องจากอาจทำให้ตาบอด
5. ห้ามลัดวงจรดัลล์แบตเตอรี่:
 - (1) ห้ามแตะขั้วกับวัตถุที่เป็นสื่อไฟฟ้าใดๆ
 - (2) หลีกเลี่ยงการเก็บดัลล์แบตเตอรี่ไว้ในภาชนะร่วมกับวัตถุที่เป็นโลหะ เช่น กรรไกรตัดเล็บ เหรียญ ฯลฯ
 - (3) อย่าให้ดัลล์แบตเตอรี่ถูกน้ำหรือฝน
 แบตเตอรี่ลัดวงจรอาจทำให้เกิดการไหลของกระแสไฟฟ้า ร้อนจัด ไฟไหม้หรือเสียหายได้
6. ห้ามเก็บเครื่องมือและดัลล์แบตเตอรี่ไว้ในสถานที่ที่มีอุณหภูมิสูงถึงหรือเกิน 50 °C
7. ห้ามเผาดัลล์แบตเตอรี่ทิ้ง แม้ว่าแบตเตอรี่จะเสียหายจนใช้งานได้หรือเสื่อมสภาพแล้ว ดัลล์แบตเตอรี่อาจจะระเบิดในกองไฟ
8. ระวังอย่าทำแบตเตอรี่ตกหล่นหรือกระทบกระแทก
9. ห้ามใช้แบตเตอรี่ที่เสียหาย
10. แบตเตอรี่ lithium-ion ที่มีมาให้ห็นั้นเป็นไปตามข้อกำหนดของ Dangerous Goods Legislation สำหรับการขนส่งเพื่อการพาณิชย์ เช่น โดยบุคคลที่สาม ตัวแทนขนส่งสินค้า จะต้องตรวจสอบข้อกำหนดพิเศษในด้านการบรรจุหีบห่อหรือการติดป้ายสินค้าในการเตรียมสินค้าที่จะขนส่ง ให้ปรึกษาผู้เชี่ยวชาญด้านวัตถุอันตราย โปรดตรวจสอบข้อกำหนดในประเทศที่อาจมีรายละเอียดอื่น ๆ เพิ่มเติม
11. เมื่อกำจัดดัลล์แบตเตอรี่ ให้ถอดดัลล์แบตเตอรี่ออกจากเครื่องมือและกำจัดในสถานที่ที่ปลอดภัย ปฏิบัติตามข้อบังคับในท้องถิ่นที่เกี่ยวข้องกับการกำจัดแบตเตอรี่
12. ใช้แบตเตอรี่กับผลิตภัณฑ์ที่ระบุโดย Makita เท่านั้น การติดตั้งแบตเตอรี่ในผลิตภัณฑ์ที่ไม่ใช่ตามที่ระบุอาจทำให้เกิดไฟไหม้ ความร้อนสูง ระเบิด หรืออิเล็กโทรไลต์รั่วไหลได้
13. หากไม่ใช่เครื่องมือเป็นระยะเวลานาน จะต้องถอดแบตเตอรี่ออกจากเครื่องมือ

ปฏิบัติตามคำแนะนำเหล่านี้

⚠️ ข้อควรระวัง: ใช้แบตเตอรี่ของแท้จาก Makita เท่านั้น การใช้แบตเตอรี่ Makita ที่ไม่แท้ หรือแบตเตอรี่ที่ถูกเปลี่ยน อาจทำให้แบตเตอรี่ระเบิด ก่อให้เกิดเพลิงลุกไหม้ การบาดเจ็บ และความเสียหายได้ และจะทำให้การรับประกันของ Makita สำหรับเครื่องมือและแท่นชาร์จของ Makita เป็นโมฆะด้วย

เคล็ดลับในการรักษาอายุการใช้งานของ

แบตเตอรี่ให้ยาวนานที่สุด

1. ชาร์จตลับแบตเตอรี่ก่อนที่ไฟจะหมด หยุดการใช้งานแล้วชาร์จประจุไฟฟ้าใหม่ทุกครั้งเมื่อคุณรู้สึกว่าอุปกรณ์มีกำลังลดลง
2. อย่าชาร์จตลับแบตเตอรี่ที่มีไฟเต็มแล้ว การชาร์จประจุไฟฟ้ามากเกินไปอาจจะทำให้อายุการใช้งานของตลับแบตเตอรี่สั้นลง
3. ชาร์จประจุไฟฟ้าตลับแบตเตอรี่ในห้องที่มีอุณหภูมิระหว่าง 10 °C - 40 °C ปล่อยให้ตลับแบตเตอรี่เย็นลงก่อนที่จะชาร์จไฟ
4. ชาร์จไฟตลับแบตเตอรี่หากคุณไม่ต้องการใช้เป็นเวลานาน (เกินกว่าหกเดือน)

คำอธิบายการทำงาน

⚠️ ข้อควรระวัง: ตรวจสอบให้แน่ใจว่าได้ปิดสวิตช์เครื่องมือและถอดตลับแบตเตอรี่ออกก่อนปรับตั้งหรือตรวจสอบการทำงานของเครื่องมือ

การใส่หรือการถอดตลับแบตเตอรี่

⚠️ ข้อควรระวัง: ปิดสวิตช์เครื่องมือก่อนทำการติดตั้งหรือการถอดตลับแบตเตอรี่ทุกครั้ง

⚠️ ข้อควรระวัง: ถือเครื่องมือและตลับแบตเตอรี่ให้แน่นในระหว่างการติดตั้งหรือการถอดตลับแบตเตอรี่ หากไม่ถือเครื่องมือและตลับแบตเตอรี่ให้แน่น อาจทำให้ตลับแบตเตอรี่และเครื่องมือลื่นหลุดมือ และทำให้เครื่องมือและตลับแบตเตอรี่เสียหายหรือได้รับบาดเจ็บได้

การใส่ตลับแบตเตอรี่ ให้เปิดฝาครอบออกในขณะที่กดก้านล๊อคเอาไว้ จัดให้ลิ้นบนตลับแบตเตอรี่ตรงกับร่องในช่องใส่ แล้วเลื่อนตลับแบตเตอรี่เข้าไป ใส่ตลับแบตเตอรี่จนกระทั่งล๊อคเข้าที่จนสุดและได้ยินเสียงคลิกเบาๆ หากยังเห็นส่วนสีแดงที่ด้านบนของปุ่ม แสดงว่าตลับแบตเตอรี่ยังไม่ล๊อคเข้าที่ หลังจากใส่หรือถอดตลับแบตเตอรี่ ตรวจสอบให้แน่ใจว่าปิดฝาครอบแล้ว

- **หมายเลข 1:** 1. ฝาครอบ 2. ก้านล๊อค

การถอดตลับแบตเตอรี่ ให้ยกตลับแบตเตอรี่ในขณะที่กดปุ่มที่อยู่ด้านบนของตลับเอาไว้

- **หมายเลข 2:** 1. ไฟแสดงสถานะสีแดง 2. ปุ่ม 3. ตลับแบตเตอรี่

⚠️ ข้อควรระวัง: ให้ดันตลับแบตเตอรี่เข้าจนสุดจนไม่เห็นส่วนสีแดงอีก ไม่เช่นนั้น ตลับแบตเตอรี่อาจหลุดออกจากเครื่องมือทำให้คุณหรือคนรอบข้างได้รับบาดเจ็บ

⚠️ ข้อควรระวัง: อย่าฝืนติดตั้งตลับแบตเตอรี่โดยใช้แรงมากเกินไป หากตลับแบตเตอรี่ไม่เลื่อนเข้าไปโดยง่าย แสดงว่าใส่ไม่ถูกต้อง

⚠️ ข้อควรระวัง: ตรวจสอบให้แน่ใจว่าได้ล๊อคฝาครอบแล้วก่อนทำงาน

ระบบป้องกันเครื่องมือ/แบตเตอรี่


เครื่องมือมีระบบป้องกันเครื่องมือ/แบตเตอรี่ ระบบนี้จะตัดไฟที่ส่งไปยังมอเตอร์โดยอัตโนมัติเพื่อยืดอายุการใช้งานเครื่องมือและแบตเตอรี่ เครื่องมือจะหยุดทำงานระหว่างการใช้งานโดยอัตโนมัติ หากเครื่องมือหรือแบตเตอรี่อยู่ภายใต้สถานการณ์ต่อไปนี้

การป้องกันโอเวอร์โวลต์

เมื่อแบตเตอรี่ทำงานในรูปแบบที่อาจจะดึงพลังงานไฟฟ้าสูงเกินไป เครื่องมือจะหยุดโดยอัตโนมัติโดยไม่มีแรงจูงใจใดๆ ในกรณีนี้ ให้ปิดเครื่องมือและหยุดการใช้งานในลักษณะที่อาจทำให้เครื่องมือทำงานหนักเกินไป แล้วเปิดเครื่องมือเพื่อเริ่มทำงานอีกครั้ง

การป้องกันความร้อนสูงเกิน

เมื่อเครื่องมือเกิดความร้อนสูงเกินไป เครื่องมือจะหยุดทำงานโดยอัตโนมัติ และไฟแสดงสถานะตลับแบตเตอรี่จะกะพริบ ในสถานการณ์นี้ ให้ปล่อยให้เครื่องมือเย็นลงก่อนเปิดเครื่องมืออีกครั้ง

<input type="checkbox"/> สว่าง	<input checked="" type="checkbox"/> กะพริบ
	

การป้องกันไฟหมด

เมื่อแบตเตอรี่มีระดับพลังงานไม่เพียงพอ เครื่องมือจะหยุดโดยอัตโนมัติ ในกรณีนี้ ให้ถอดแบตเตอรี่ออกจากเครื่องมือและนำแบตเตอรี่ไปชาร์จไฟ

การระบุระดับพลังงานแบตเตอรี่ที่เหลืออยู่

สำหรับดับเบิลแบตเตอรี่ที่มีตัวแสดงสถานะเท่านั้น

► หมายเลข 3: 1. ไฟแสดงสถานะ 2. ปุ่มตรวจสอบ

กดปุ่ม ตรวจสอบ บนดับเบิลแบตเตอรี่เพื่อดูปริมาณแบตเตอรี่ที่เหลือ ไฟแสดงสถานะจะสว่างขึ้นเป็นเวลาสองสามวินาที

ไฟแสดงสถานะ			แบตเตอรี่ที่เหลือ
ไฟสว่าง	ดับ	กะพริบ	
■	□	▣	75% ถึง 100%
■ ■ ■ ■			
■ ■ ■ □			50% ถึง 75%
■ ■ □ □			25% ถึง 50%
■ □ □ □			0% ถึง 25%
▣ □ □ □			ชาร์จไฟแบตเตอรี่
■ ■ □ □	↑	↓	แบตเตอรี่อาจจะเสีย
□ □ ■ ■			

หมายเหตุ: ขึ้นอยู่กับสภาพการใช้งานและอุณหภูมิโดยรอบ การแสดงสถานะอาจจะแตกต่างจากปริมาณแบตเตอรี่จริงเล็กน้อย

การระบุระดับพลังงานแบตเตอรี่ที่เหลืออยู่

ข้อสังเกต: ไฟแสดงสถานะแบตเตอรี่จะไม่สว่างขึ้นเมื่อสวิตช์ไฟอยู่ในตำแหน่ง OFF (ปิด) การตรวจสอบความจุแบตเตอรี่ที่เหลืออยู่ ให้หมุนสวิตช์ไฟไปที่โหมดแรงดันสูงหรือต่ำ

กดปุ่ม ตรวจสอบ เพื่อดูปริมาณแบตเตอรี่ที่เหลือ ไฟแสดงสถานะแบตเตอรี่จะตรงตามแบตเตอรี่แต่ละลูก

► หมายเลข 4: 1. ไฟแสดงสถานะแบตเตอรี่ 2. ปุ่มตรวจสอบ

สถานะของไฟแสดงสถานะแบตเตอรี่			ความจุแบตเตอรี่ที่เหลืออยู่
■	□	▣	
สว่าง	ดับ	กะพริบ	
			50% ถึง 100%
			20% ถึง 50%
			0% ถึง 20%
			ชาร์จแบตเตอรี่

สวิตช์ไฟ

ข้อสังเกต: อย่าฝืนหมุนสวิตช์ไฟ เนื่องจากอาจทำให้สวิตช์ทำงานผิดปกติ

หมุนสวิตช์ไฟตามเข็มนาฬิกาหรือทวนเข็มนาฬิกาตามระดับแรงดันที่ต้องการ หมุนสวิตช์ไฟตามเข็มนาฬิกาสำหรับโหมดแรงดันสูง และทวนเข็มนาฬิกาสำหรับโหมดแรงดันต่ำ

► หมายเลข 5: 1. โหมดแรงดันต่ำ 2. ตำแหน่ง OFF (ปิด) 3. โหมดแรงดันสูง

หมายเหตุ: ไฟแสดงสถานะแบตเตอรี่จะสว่างขึ้นเป็นเวลาสั้นๆเมื่อหมุนสวิตช์ไฟไปที่โหมดแรงดันสูงหรือต่ำ

ฟังก์ชันหัวฉีด

หมายเหตุ: หัวฉีดมาตรฐานจะแตกต่างกันไปตามแต่ละประเทศ สามารถดูหัวฉีดอื่นๆ ได้ที่ส่วนอุปกรณ์เสริม

หัวฉีดพ่น

กำหนดเฉพาะประเทศ

► หมายเลข 6

สามารถปรับความกว้างของน้ำแรงดันสูงได้ตั้งแต่ 0° ถึง 25° โดยการหมุนปลายหัวฉีดด้านหน้า

⚠ ข้อควรระวัง: เมื่อปรับความกว้างของน้ำแรงดันสูงอย่าหมุนหัวฉีดโดยตั้งไปทางปืนฉีด หัวฉีดอาจหลุดจากปืนฉีดและทำให้ได้รับบาดเจ็บได้

หัวพ่นสิ่งสกปรก

กำหนดเฉพาะประเทศ

► หมายเลข 7

จะฉีดน้ำออกมาในลักษณะเป็นเกลียว เหมาะสำหรับขจัดสิ่งสกปรกที่ติดแน่น

ข้อสังเกต: อย่าใช้หัวพ่นสิ่งสกปรกเพื่อทำความสะอาดพื้นผิวที่บอบบาง เช่น หน้าต่าง หรือตัวถังรถยนต์

การใช้งานไถป็น

เหนียวไถป็นเพื่อฉีดน้ำ น้ำจะพุ่งออกมาอย่างต่อเนื่องหากบีบไถป็นค้างไว้

สามารถถือไถป็นได้เพื่อความปลอดภัยในการถือปืนฉีดเมื่อต้องการถือไถป็น ให้ปลดสตัดปเปอร์ออกและเกี่ยวไว้กับร่องของด้ามปืน

▶ **หมายเลข 8:** 1. ไถป็น 2. สตัดปเปอร์ 3. ร่อง

ข้อสังเกต: เพื่อหลีกเลี่ยงความผิดพลาดทางกลของสวิตช์แรงดัน ให้เว้นช่วงการเหนียวไถป็นแต่ละครั้งนานสองวินาที

วาล์วนิรภัย

อุปกรณ์นี้ติดตั้งวาล์วนิรภัยเพื่อป้องกันแรงดันที่มากเกินไปเมื่อปล่อยไถป็น วาล์วจะเปิดและน้ำจะไหลผ่านช่องรับน้ำของปั๊มอีกครั้ง

⚠ **ข้อควรระวัง:** อย่าเปลี่ยนหรือปรับการตั้งค่าวาล์วนิรภัย

การจ่ายน้ำจากแท่งกักเก็บน้ำ

คุณสามารถใช้น้ำจากแท่งกักเก็บน้ำแทนก็อกน้ำได้ ใช้ชุดสายสูบน้ำแทนตัวเชื่อมต่อสายจ่ายน้ำ เมื่อทำการเชื่อมต่อชุดสายสูบน้ำ ให้ถอดปลอกตัวกรองออกจากสายและติดตั้งปลอกตัวกรองเข้ากับช่องรับน้ำของเครื่องฉีดน้ำแรงดันสูง จากนั้น เชื่อมต่อสายยางเข้ากับปลอกตัวกรอง

หมายเหตุ: เมื่อถอด/เชื่อมต่อสายยางออกจาก/เข้ากับปลอกตัวกรอง ให้หมุนปลอกขณะถือสายเพื่อให้สายไม่หมุนไปพร้อมปลอก

▶ **หมายเลข 9:** 1. แท่งกักเก็บน้ำ 2. ชุดสายสูบน้ำ 3. ตัวเชื่อมต่อสายจ่ายน้ำ 4. สายยาง 5. ปลอกตัวกรอง 6. ช่องรับน้ำของเครื่องฉีดน้ำแรงดันสูง 7. สายรัดท่อ 8. ปลอก

⚠ **ข้อควรระวัง:** เมื่อติดตั้งเข้ากับปลอกตัวกรอง ระวังอย่าทำให้มือของคุณเจ็บเพราะสายรัดท่อ

ข้อสังเกต: ใช้ชุดสายสูบน้ำของ Makita เสมอ

ข้อสังเกต: รักษาระดับความสูงระหว่างช่องรับน้ำของเครื่องฉีดน้ำแรงดันสูงกับผิวน้ำให้เท่ากับ 1 m (3.28 ft) หรือน้อยกว่า มิฉะนั้น เครื่องฉีดน้ำแรงดันสูงอาจไม่สามารถดึงน้ำเข้าสู่ปั๊มได้

เพื่อนำน้ำเข้าสู่สาย ให้ถอดหัวฉีดออกจากปืนฉีด และเปิดสวิตช์เครื่องฉีดน้ำแรงดันสูง จากนั้นบีบไถป็น เมื่อน้ำถูกปล่อยออกมาจากปืนฉีดจนสม่ำเสมอแล้ว ให้ปล่อยไถป็นและติดตั้งหัวฉีดตามความต้องการของคุณ

▶ **หมายเลข 10:** 1. ปืนฉีด

หมายเหตุ: หากน้ำไม่ออก ให้ถอดชิ้นส่วนชุดสายสูบน้ำออกและแชลงในน้ำ จากนั้นนำมาเชื่อมต่อกับเครื่องฉีดน้ำแรงดันสูงอีกครั้ง

▶ **หมายเลข 11:** 1. ชุดสายสูบน้ำ

เมื่อใช้กล่องใส่เครื่องเป็นแท่งกักน้ำ

คุณสามารถใช้กล่องใส่เครื่องที่มหาพร้อมกับเครื่องฉีดน้ำแรงดันสูง (เฉพาะบางประเทศ) เป็นแท่งกักน้ำได้

1. ทำความสะอาดกล่องใส่เครื่องและเติมน้ำเข้าไป

▶ **หมายเลข 12:** 1. เส้นระดับน้ำสูงสุด

ข้อสังเกต: อย่าเติมน้ำเกินเส้นระดับน้ำสูงสุด

ข้อสังเกต: ฝาของกล่องใส่เครื่องไม่ใช่ประเภทปิดแน่น ระวังอย่าให้น้ำในกล่องใส่เครื่องหกเมื่อทำการเคลื่อนย้าย

2. ถอดปลอกตัวกรองออกจากสายของชุดสายสูบน้ำ

▶ **หมายเลข 13:** 1. สาย 2. ปลอกตัวกรอง

3. ถอดฝาปิดบนช่องป้อนน้ำและสอดชุดสายสูบน้ำผ่านช่องป้อนน้ำตามภาพ

▶ **หมายเลข 14:** 1. ฝาปิด 2. ที่ยึดฝาปิด 3. ช่องป้อนน้ำ 4. ชุดสายสูบน้ำ

หมายเหตุ: สามารถวางฝาปิดบนช่องป้อนน้ำไว้บนที่ยึดฝาปิดได้

4. ถอดตัวเชื่อมต่อสายจ่ายน้ำออกจากช่องรับน้ำของเครื่องฉีดน้ำแรงดันสูง หลังจากนั้น ให้เชื่อมต่อปลอกตัวกรองเข้ากับช่องรับน้ำและเชื่อมต่อสายเข้ากับปลอกตัวกรอง

▶ **หมายเลข 15:** 1. ช่องรับน้ำของเครื่องฉีดน้ำแรงดันสูง 2. ปลอกตัวกรอง 3. ตัวเชื่อมต่อสายจ่ายน้ำ 4. สายยาง

5. วางเครื่องฉีดน้ำแรงดันสูงลงบนกล่องใส่เครื่องโดยให้เครื่องฉีดน้ำยึดเข้ากับที่ยึดบนฝาของกล่องใส่เครื่อง

- **หมายเลข 16:** 1. เครื่องฉีดน้ำแรงดันสูง 2. ฝา
3. ช่องระบายอากาศ

ข้อสังเกต: โปรดระมัดระวังในการถือกล่องใส่เครื่องเมื่อทำการเคลื่อนย้าย การถือกล่องใส่เครื่องที่มีเครื่องฉีดน้ำแรงดันสูงและอุปกรณ์เสริมหรือน้ำอยู่ด้านในอาจทำให้เกิดอุบัติเหตุหรือการบาดเจ็บส่วนบุคคลเนื่องจากน้ำหนักของผลิตภัณฑ์

ข้อสังเกต: เมื่อเคลื่อนย้ายกล่องใส่เครื่อง อย่าเขย่า หมุน หรือเอียงกล่องมากเกินไป การกระทำดังกล่าวอาจทำให้:

- น้ำที่อยู่ภายในหกออกมา
- เครื่องฉีดน้ำแรงดันสูงที่ปิดฝาอยู่หลุดออกจากกล่องใส่เครื่อง หรือ
- ขัดขวางการหมุนของล้อกล่องใส่เครื่อง

ข้อสังเกต: เมื่อเคลื่อนย้ายกล่องใส่เครื่องด้วยมือจับ น้ำอาจหกออกมาหากมีน้ำปริมาณมากอยู่ด้านใน

ข้อสังเกต: นำเอาจอกออกมาจากช่องระบายอากาศ หากน้ำด้านในขึ้นมาถึงช่องระบายอากาศด้วยการเอียงกล่อง

ข้อสังเกต: อย่าเหยียบบนกล่องใส่เครื่อง ฝาของกล่องใส่เครื่องอาจแตกได้

ข้อสังเกต: อย่าทิ้งกล่องใส่เครื่องที่บรรจุน้ำไว้เป็นเวลานาน การทำเช่นนั้นอาจทำให้กล่องใส่เครื่องเสียหายและทำให้สั้นเร็ว

หลังการใช้งาน ให้ปฏิบัติตามขั้นตอนด้านล่างนี้

1. ถอดฝาปิดบนช่องระบายน้ำ แล้วปล่อยน้ำออก
- **หมายเลข 17:** 1. ช่องระบายน้ำ
2. เช็ดด้านในของกล่องใส่เครื่องที่เปียกชื้นให้แห้งโดยใช้ผ้า จากนั้นปล่อยให้กล่องใส่เครื่องแห้งสนิท

ข้อสังเกต: อย่าจัดเก็บเครื่องฉีดน้ำแรงดันสูงและอุปกรณ์เสริมในขณะที่ด้านในของกล่องใส่เครื่องเปียกอยู่ ความเปียกชื้นที่เหลืออยู่อาจส่งผลให้เครื่องทำงานผิดปกติหรือเกิดสนิมได้

การประกอบ

▲ ข้อควรระวัง: ตรวจสอบให้แน่ใจว่าได้ปิดสวิตช์เครื่องมือและถอดปลั๊กแบตเตอรี่ออกก่อนดำเนินการใดๆ กับเครื่องมือ

การเชื่อมต่อสายยางแรงดันสูง

เชื่อมต่อสายยางแรงดันสูงเข้ากับช่องจ่ายน้ำ (ซึ่งเชื่อมต่อกับปืนฉีด) หมุนน็อตของสายยางแรงดันสูงตามเข็มนาฬิกา และหมุนเข้ากับเกลียวสกรูของช่องจ่ายน้ำ

- **หมายเลข 18:** 1. ช่องจ่ายน้ำ 2. น็อต

▲ ข้อควรระวัง: ตรวจสอบให้แน่ใจว่าเชื่อมต่อสายยางแรงดันสูงแน่นหนาดีแล้ว หากการเชื่อมต่อหลวม สายยางแรงดันสูงอาจหลุดกระเด็นออกจากเครื่องทำให้ได้รับบาดเจ็บได้

การติดตั้งปืนฉีด

เชื่อมต่อสายยางแรงดันสูงเข้ากับช่องรับน้ำบนปืนฉีด หมุนน็อตของสายยางแรงดันสูงตามเข็มนาฬิกา แล้วหมุนเข้ากับเกลียวสกรูของช่องรับน้ำ

- **หมายเลข 19:** 1. ช่องรับน้ำ 2. น็อต

▲ ข้อควรระวัง: ตรวจสอบให้แน่ใจว่าเชื่อมต่อสายยางแรงดันสูงแน่นหนาดีแล้ว หากการเชื่อมต่อหลวม สายยางแรงดันสูงอาจหลุดกระเด็นออกจากเครื่องทำให้ได้รับบาดเจ็บได้

การเชื่อมต่อกับก๊อกน้ำ

▲ ข้อควรระวัง: ใช้สายจ่ายน้ำทนแรงดันที่มีเส้นผ่านศูนย์กลาง ๑ 13 มม หรือใหญ่กว่า และเชื่อมต่อก๊อกน้ำโดยใช้อุปกรณ์เชื่อมต่อที่เหมาะสม ไม่เช่นนั้น สายจ่ายน้ำและ/หรืออุปกรณ์เชื่อมต่ออาจแตกหักและทำให้ได้รับบาดเจ็บได้

ข้อสังเกต: ใช้สายจ่ายน้ำทนแรงดันที่สั้นที่สุดเท่าที่จะเป็นไปได้ ปริมาณของน้ำที่รับเข้าตรงมากกว่าปริมาณการป้อนสูงสุดของปั๊ม

ข้อสังเกต: หากคุณเชื่อมต่อแหล่งจ่ายน้ำหลักสำหรับน้ำดื่ม ให้ใช้วาล์วป้องกันการไหลย้อนกลับที่เป็นไปตามข้อบังคับในภูมิภาคของคุณ

เตรียมสายจ่ายน้ำทนแรงดัน ติดตั้งปลอกฟองที่ปลายสายด้านหนึ่ง และเชื่อมต่อปลายสายอีกด้านหนึ่งเข้ากับก๊อกน้ำดังต่อไปนี้

1. ถอดน็อตของปลอกฟุ้งออก และร้อยสายจ่ายน้ำทนแรงดันเข้าไปในน็อต สอดปลายสายเข้าไปในปลอกฟุ้ง จากนั้นขันน็อตให้แน่น

▶ **หมายเลข 20:** 1. สายจ่ายน้ำทนแรงดัน 2. น็อตของปลอกฟุ้ง 3. ปลอกฟุ้ง

หมายเหตุ: หากคุณต้องการเชื่อมต่อสายจ่ายน้ำทนแรงดันเข้ากับก๊อกน้ำโดยใช้ปลอกฟุ้ง ให้เตรียมปลอกฟุ้งไว้อีกอันหนึ่ง แล้วติดตั้งเข้ากับส่วนปลายอีกด้านของสาย

2. เชื่อมต่อสายจ่ายน้ำทนแรงดันเข้ากับก๊อกน้ำ ใช้อุปกรณ์เชื่อมต่อที่เหมาะสม เช่น สายรัดท่อ หรือข้อต่อก๊อกน้ำ เพื่อยึดปลายสายเข้ากับก๊อกน้ำ

▶ **หมายเลข 21:** 1. สายรัดท่อ 2. ข้อต่อก๊อกน้ำ 3. สายจ่ายน้ำทนแรงดัน

หมายเหตุ: อุปกรณ์เชื่อมต่อที่ใช้ขึ้นอยู่กับรูปทรงของก๊อกน้ำที่คุณเชื่อมต่อ เตรียมอุปกรณ์เชื่อมต่อที่ซื้อมาให้เหมาะสม

3. ติดตั้งตัวเชื่อมต่อสายจ่ายน้ำเข้ากับช่องรับน้ำ (ซึ่งจะเชื่อมต่อเข้ากับก๊อกน้ำ) จากนั้นสอดปลอกฟุ้งเข้าไป

▶ **หมายเลข 22:** 1. ปลอกฟุ้ง 2. ตัวเชื่อมต่อสายจ่ายน้ำ 3. ช่องรับน้ำของเครื่องฉีดน้ำแรงดันสูง

การเชื่อมต่อ/ถอดหัวฉีด

⚠ ข้อควรระวัง: ล็อคไกปืนของปืนฉีดไว้เสมอเมื่อทำการเชื่อมต่อหรือถอดหัวฉีด

สอดปลายหัวฉีดในช่องของปืนฉีด และหมุนตามทิศทางลูกศรในภาพ การถอดหัวฉีด ให้หมุนหัวฉีดในทิศทางย้อนกลับในขณะที่กดหัวฉีดไปทางด้านปืนฉีด

▶ **หมายเลข 23:** 1. ปืนฉีด 2. ช่อง 3. ปลายหัวฉีด

เชื่อมต่อหัวฉีดโฟม

อุปกรณ์เสริม

⚠ ข้อควรระวัง: ล็อคไกปืนของปืนฉีดไว้เสมอเมื่อทำการเชื่อมต่อหรือถอดหัวฉีด

เตรียมน้ำยาทำความสะอาดก่อนใช้หัวฉีดโฟม

1. ถอดหัวฉีดออกจากแทงก์โดยการหมุนหัวฉีดทวนเข็มนาฬิกา ติดตั้งหัวฉีดเข้ากับปืนฉีด

▶ **หมายเลข 24:** 1. หัวฉีด 2. ปืนฉีด

2. เทน้ำยาทำความสะอาดลงในแทงก์ และติดตั้งเข้ากับหัวฉีด

▶ **หมายเลข 25:** 1. แทงก์

ข้อสังเกต: ใช้น้ำยาทำความสะอาดที่มีคุณสมบัติเป็นกลางเสมอ น้ำยาทำความสะอาดที่มีคุณสมบัติเป็นกรดหรือด่างอาจทำให้แทงก์หรือหัวฉีดเสียหายได้

การวางกล่องพลาสติกสำหรับเคลื่อนย้ายไว้บนกล่อง

อุปกรณ์เสริม

คุณสามารถวางกล่องพลาสติกสำหรับเคลื่อนย้ายไว้ด้านบนของกล่องได้ วางกล่องพลาสติกสำหรับเคลื่อนย้ายไว้บนกล่องใส่เครื่องโดยให้เครื่องฉีดน้ำยึดเข้ากับที่ยึดบนฝาของกล่องใส่เครื่อง

▶ **หมายเลข 26:** 1. กล่องพลาสติกสำหรับเคลื่อนย้าย 2. ที่ยึด

การวางกล่องไว้บนรถเข็น

อุปกรณ์เสริม

เมื่อขนย้ายกล่องด้วยรถเข็น Makita ให้วางกล่องไว้กับที่ตรวจสอบให้แน่ใจว่ากล่องพอดีกับแท่นของรถเข็น

▶ **หมายเลข 27:** 1. พื้นผิวส่วนกันของกล่อง 2. แท่นของรถเข็น

⚠ ข้อควรระวัง: เมื่อใช้งานรถเข็น อย่าขนย้ายกล่องที่ใส่น้ำไว้เต็ม การทำเช่นนี้อาจทำให้สูญเสียการทรงตัวและส่งผลให้เกิดการบาดเจ็บส่วนบุคคลหรือทำให้กล่องเสียรูปซึ่งจะทำให้รั่วไหล

การใช้งาน

⚠ คำเตือน: อย่าสัมผัสน้ำแรงดันสูงหรือหันหัวฉีดเข้าหาตัวเองหรือผู้อื่น น้ำแรงดันสูงอันตรายและสามารถทำให้คุณและผู้อื่นบาดเจ็บได้

⚠ คำเตือน: เมื่อฉีดน้ำแรงดันสูง อย่าถือวัตถุที่คุณทำความสะอาดด้วยมือหรือวางมือและเท้าใกล้กับน้ำแรงดันสูง

⚠️ ข้อควรระวัง: ระมัดระวังการสะท้อนกลับของน้ำแรงดันสูงและวัตถุที่กระเด็นออกมาเสมอ อย่านำหัวฉีดเข้าใกล้วัตถุเกินกว่า 30 cm

⚠️ ข้อควรระวัง: อย่าใช้งานเครื่องฉีดน้ำแรงดันสูงโดยไม่มีน้ำนานกว่า 1 นาที

⚠️ ข้อควรระวัง: อย่าใช้งานเครื่องฉีดน้ำแรงดันสูงนานเกินไป เนื่องจากอาจทำให้เครื่องร้อนเกินไปหรือไฟไหม้ได้ นอกจากนี้ การใช้งานเป็นระยะเวลานานอาจทำให้เครื่องสั้นผิดปกติ

⚠️ ข้อควรระวัง: ระมัดระวังทางลม ถ้าน้ำยาทำความสะอาดเข้าตาหรือปาก ให้ล้างด้วยน้ำสะอาดทันที และไปพบแพทย์หากจำเป็น

ข้อสังเกต: หลีกเลี่ยงการใช้เครื่องฉีดน้ำแรงดันสูงนานกว่า 1 ชั่วโมง หลังจากใช้งานเป็นเวลา 1 ชั่วโมงแล้ว ให้หยุดพักเครื่องเป็นเวลาเท่ากับที่ใช้งาน

ข้อสังเกต: เพื่อป้องกันกลิ่นไขของเครื่องฉีดน้ำแรงดันสูง อย่านำน้ำที่ร้อนเกิน 40°C

1. เชื่อมต่อปลายของสายยางแรงดันสูงเข้ากับปืนฉีดและปลายอีกด้านเข้ากับเครื่องฉีดน้ำแรงดันสูง
 2. เชื่อมต่อเครื่องฉีดน้ำแรงดันสูงและก๊อกน้ำโดยใช้สายจ่ายน้ำ หลังจากนั้น ให้เปิดก๊อกน้ำ
- ▶ **หมายเลข 28**
3. เปิดฝาครอบและใส่ด้ามจับเตอริ่งลงในเครื่องฉีดน้ำแรงดันสูง จากนั้นล็อกฝาครอบ
- ▶ **หมายเลข 29:** 1. ด้ามจับเตอริ่ง 2. ฝาครอบ
4. หมุนสวิทช์ไฟไปที่โหมดที่คุณต้องการ
- ▶ **หมายเลข 30:** 1. โหมดแรงดันต่ำ 2. ตำแหน่ง OFF (ปิด) 3. โหมดแรงดันสูง
5. เมื่อต้องการฉีดน้ำแรงดันสูง ให้ปลดล็อกสตัดเปิดเปอร์และบีบไกปืน น้ำจะพุ่งออกมาอย่างต่อเนื่องหากบีบไกปืนค้างไว้
- ▶ **หมายเลข 31:** 1. สตัดเปิดเปอร์

⚠️ ข้อควรระวัง: ถือปืนฉีดให้มัน ปืนฉีดจะสะท้อนกลับเมื่อคุณเหนี่ยวไกปืน

⚠️ ข้อควรระวัง: จับปืนฉีดที่มีมือจับและลากล่องปืนเมื่อฉีดน้ำแรงดันสูง

ข้อสังเกต: ระวังอย่าฝืนเหนี่ยวไกปืนระหว่างการใช้งาน เนื่องจากอาจทำให้เครื่องฉีดน้ำแรงดันสูงล้มลงมาได้

ข้อสังเกต: เมื่อไม่ใช้งานเป็นเวลานาน ให้ปิดสวิทช์เครื่องฉีดน้ำแรงดันสูงและบีบไกปืนเพื่อปล่อยน้ำที่เหลือออก

หากเครื่องฉีดน้ำแรงดันสูงถูกปล่อยทิ้งไว้เป็นเวลานาน ในขณะที่ยังคงมีแรงดันสูง อาจทำให้ไม่สามารถใช้งานได้อีกครั้ง ในสถานการณ์เช่นนี้ ให้ปิดสวิทช์เครื่องฉีดน้ำแรงดันสูง และจ่ายน้ำจากก๊อกน้ำไปยังช่องรับน้ำและบีบไกที่จ่ายน้ำสักครู่หนึ่ง จากนั้นให้เปิดสวิทช์เครื่องฉีดน้ำแรงดันสูง

เมื่อคุณต้องการหยุดการทำงานชั่วคราว คุณสามารถวางปืนฉีดชั่วคราวตั้งที่แสดงในภาพ

▶ **หมายเลข 32**

หลักการใช้งาน

⚠️ ข้อควรระวัง: หลังจากใช้เครื่องฉีดน้ำแรงดันสูงแล้ว ให้ดำเนินการตามขั้นตอนที่ได้ระบุไว้ในคู่มือนี้ แรงดันที่เหลือค้างอยู่ในปืนฉีดหรือเครื่องฉีดน้ำแรงดันสูงอาจทำให้เกิดการบาดเจ็บหรือสร้างความเสียหายแก่ผู้ใช้งานได้

1. ปิดสวิทช์เครื่องฉีดน้ำแรงดันสูง
 2. ปิดก๊อกน้ำ และถอดสายจ่ายน้ำออกจากเครื่องฉีดน้ำแรงดันสูง
- ▶ **หมายเลข 33**
3. เปิดสวิทช์เครื่องฉีดน้ำแรงดันสูงอีกครั้ง
 4. บีบไกปืนจนกระทั่งน้ำที่เหลือค้างอยู่ในเครื่องฉีดน้ำแรงดันสูงออกจนหมด
- ▶ **หมายเลข 34**

ข้อสังเกต: อย่าให้มอเตอร์ทำงานนานกว่า 1 นาที

5. ปิดสวิทช์เครื่องฉีดน้ำแรงดันสูงและถอดด้ามจับเตอริ่งออก
- ▶ **หมายเลข 35:** 1. สวิตช์ไฟ 2. ด้ามจับเตอริ่ง
6. ถอดสายยางแรงดันสูงออกจากปืนฉีดและเครื่องฉีดน้ำแรงดันสูง
- ▶ **หมายเลข 36:** 1. ปืนฉีด 2. สายยางแรงดันสูง 3. เครื่องฉีดน้ำแรงดันสูง

ข้อสังเกต: เพื่อป้องกันไม่ให้น้ำแรงดันสูงเกิดความเสียหาย ให้ใส่ผ้าที่เหลืค้างอยู่ในสายออกก่อนการเก็บรักษา

การบำรุงรักษาและการเก็บรักษา

⚠ ข้อควรระวัง: ตรวจสอบให้แน่ใจว่าได้ปิดสวิตช์เครื่องมือและถอดด้ามแบตเตอรี่ออกแล้วก่อนดำเนินการตรวจสอบหรือบำรุงรักษา

ข้อสังเกต: อย่าใช้น้ำมันเชื้อเพลิง เบนซิน ทินเนอร์ แอลกอฮอล์ หรือวัสดุประเภทเดียวกัน เนื่องจากอาจทำให้เกิดสิ่งต่าง ๆ เสียวรูป หรือแตกร้าวได้

เพื่อความปลอดภัยและนำเชื่อถือของผลิตภัณฑ์ ควรให้ศูนย์บริการหรือโรงงานที่ผ่านการรับรองจาก Makita เป็นผู้ดำเนินการซ่อมแซม บำรุงรักษาและทำการปรับตั้งอื่นๆ นอกจากนี้ให้ซื้ออะไหล่ของแท้จาก Makita เสมอ

การทำความสะอาดหัวฉีด

ใช้แท่งทำความสะอาดเช็ดสิ่งสกปรกออกจากหัวฉีดหรือหัวฉีดที่อุดตัน

▶ **หมายเลข 37:** 1. แท่งทำความสะอาด

ข้อสังเกต: อย่าฝึมน้ำสิ่งสกปรกหรือเศษต่างๆ ออกเนื่องจากอาจทำให้ได้รับบาดเจ็บหรือเกิดความเสียหายกับรูฉีดน้ำ และทำให้หม้อฉีดน้ำคลาดเคลื่อนหรือประสิทธิภาพในการทำงานลดลง

การทำความสะอาดตัวกรอง

ถอดตัวเชื่อมต่อสายจ่ายน้ำ และนำสิ่งสกปรกหรือเศษต่างๆ ออกจากตัวกรอง

▶ **หมายเลข 38:** 1. ตัวเชื่อมต่อสายจ่ายน้ำ 2. ตัวกรอง 3. แหวนกันรั่ว

เมื่อใช้งานชุดท่อดูดน้ำ (อุปกรณ์เสริม) ให้นำตัวกรองออกจากปลอกตัวกรอง จากนั้นนำสิ่งสกปรกหรือเศษต่างๆ ออก

▶ **หมายเลข 39:** 1. ตัวกรอง 2. ปลอกตัวกรอง

หมายเหตุ: ทำความสะอาดตัวกรองเป็นระยะๆ เพื่อคงประสิทธิภาพที่ดีที่สุด

การเก็บรักษา

⚠ ข้อควรระวัง: เก็บรักษาเครื่องมือไว้ในร่มที่อุณหภูมิไม่ต่ำกว่าจุดเยือกแข็ง ถ้าเครื่องฉีดน้ำแรงดันสูงเย็นจนแข็งและทำงานผิดปกติ โปรดติดต่อศูนย์บริการในประเทศของคุณเพื่อรับการซ่อม

เก็บอุปกรณ์เสริมไว้ในกระเป๋าด้านข้างของเครื่องฉีดน้ำแรงดันสูง

ตัวอย่างการจัดเก็บ

▶ **หมายเลข 40:** 1. สายยางแรงดันสูง 2. หัวฉีด 3. ปืนฉีด

หากรุ่นของคุณมาพร้อมกับกล่องใส่เครื่อง ให้เก็บเครื่องฉีดน้ำแรงดันสูงและอุปกรณ์เสริมไว้ในกล่องดังกล่าว

ตัวอย่างการจัดเก็บ

▶ **หมายเลข 41:** 1. เครื่องฉีดน้ำแรงดันสูง 2. หัวฉีด 3. ปืนฉีด 4. แปรงทำความสะอาด 5. หัวฉีดโฟม 6. สายยางแรงดันสูง 7. เครื่องชาร์จ 8. ชุดสายสูบน้ำ 9. สายจ่ายน้ำหน่วงดัน

หมายเหตุ: อุปกรณ์เสริมบางอย่างที่แสดงในภาพประกอบนั้นเป็นอุปกรณ์เสริมในบางประเทศ

การแก้ไขปัญหา

ก่อนนำไปซ่อม ให้ทำการตรวจสอบด้วยตัวเองก่อน หากพบปัญหาที่ไม่มีอธิบายในคู่มือการใช้งาน อย่าพยายามถอดแยกเครื่องมือ แต่ให้นำไปซ่อมที่ศูนย์บริการหรือโรงงานที่ผ่านการรับรองจาก Makita และใช้ชิ้นส่วนอะไหล่ของ Makita

สภาวะความผิดปกติ	สาเหตุที่เป็นไปได้ (การทำงานผิดปกติ)	การแก้ไข
เครื่องฉีดน้ำไม่ทำงาน	ไม่มีไฟฟ้า	ใส่ด้ามแบตเตอรี่ที่ชาร์จแล้ว
	สวิตช์ปิดอยู่	เปิดสวิตช์
	มีแรงดันเหลือค้างในปั๊ม	เหยียบไกปืน
	แบตเตอรี่หรือวงจรไฟฟ้าเสียหาย	ติดต่อศูนย์บริการที่ผ่านการรับรองเพื่อรับการซ่อม
เครื่องฉีดน้ำแรงดันสูงถูกทิ้งไว้เป็นเวลานานในขณะที่ยังลงคัมแรงดันสูง	ปิดสวิตช์เครื่องฉีดน้ำแรงดันสูง และจ่ายน้ำจากก๊อกน้ำไปยังช่องรับน้ำและบีบไกให้จ่ายน้ำสักครู่หนึ่ง จากนั้นให้เปิดสวิตช์เครื่องฉีดน้ำแรงดันสูง	

สภาวะความผิดปกติ	สาเหตุที่เป็นไปได้ (การทำงานผิดปกติ)	การแก้ไข
น้ำไม่ไหล/น้ำไหลเบา	น้ำไม่ไหล	ตรวจสอบให้แน่ใจว่าก๊อกน้ำเปิดอยู่ ถ้าใช้ชุดสูบน้ำ ให้ให้น้ำเข้าในสาย
	น้ำไหลเบา	เปิดก๊อกน้ำ
	การเชื่อมต่อสายยางไม่ดี	ตรวจสอบการเชื่อมต่อระหว่างเครื่องฉีดน้ำแรงดันสูงและก๊อกน้ำ
	สายจ่ายน้ำ ตัวกรอง หรือหัวฉีดอุดตัน	ทำความสะอาดสายจ่ายน้ำ ตัวกรอง หรือหัวฉีดที่อุดตัน
	อากาศปิดกั้นการไหลของน้ำ	ปิดสวิตช์ แล้วเปิดอีกครั้งโดยบีบไปจนไปด้วย
	หัวฉีดชำรุดหรือเสื่อมสภาพ	เปลี่ยนหัวฉีด
	ปั๊มหรือวาล์วทำงานผิดปกติ	ติดต่อศูนย์บริการที่ผ่านการรับรองเพื่อรับการซ่อม
น้ำแรงดันสูงไม่สม่ำเสมอ	หัวฉีดอุดตัน	ทำความสะอาดรูของหัวฉีดที่อุดตันโดยใช้แท่งทำความสะอาด
	การสูบน้ำไม่ดี	ตรวจสอบสายจ่ายน้ำโดยเริ่มจากก๊อกน้ำว่ามีการรั่วหรืออุดตันหรือไม่ เปิดก๊อกน้ำ
	น้ำร้อนเกินไป	จ่ายน้ำเย็น
	วาล์วทำงานผิดปกติ	ติดต่อศูนย์บริการที่ผ่านการรับรองเพื่อรับการซ่อม
เสียงผิดปกติ	น้ำร้อนเกินไป	จ่ายน้ำเย็น
	มีอากาศอยู่ในปั๊ม	ติดต่อศูนย์บริการที่ผ่านการรับรองเพื่อรับการซ่อม
น้ำรั่ว	การเชื่อมต่อไม่ดี	ตรวจสอบการเชื่อมต่อระหว่างเครื่องฉีดน้ำแรงดันสูงและปืนฉีด รวมถึงก๊อกน้ำ
	ตัวกันรั่วเสื่อมสภาพ	ติดต่อศูนย์บริการที่ผ่านการรับรองเพื่อรับการซ่อม

อุปกรณ์เสริม

⚠ ข้อควรระวัง: ขอแนะนำให้ใช้เฉพาะอุปกรณ์เสริมหรืออุปกรณ์ต่อพ่วงเหล่านี้กับเครื่องมือ Makita ที่ระบุในคู่มือการใช้อุปกรณ์เสริมหรืออุปกรณ์ต่อพ่วงอื่นๆ อาจมีความเสี่ยงที่จะได้รับบาดเจ็บ ใช้อุปกรณ์เสริมหรืออุปกรณ์ต่อพ่วงตามวัตถุประสงค์ที่ระบุไว้เท่านั้น

หากต้องการทราบรายละเอียดเพิ่มเติมเกี่ยวกับอุปกรณ์เสริมเหล่านี้ โปรดสอบถามศูนย์บริการ Makita ใกล้บ้านคุณ

หมายเหตุ: อุปกรณ์บางรายการอาจจะรวมอยู่ในชุดเครื่องมือเป็นอุปกรณ์มาตรฐาน ซึ่งอาจแตกต่างกันไปในแต่ละประเทศ

ท่อฉีดพ่น Vario-Power

▶ หมายเลข 42

สามารถปรับแรงดันการฉีดได้โดยการหมุนหัวฉีด

⚠ ข้อควรระวัง: ขณะปรับแรงดันการฉีด อย่าหมุนหัวฉีดโดยดึงมาทางปืนฉีด หัวฉีดอาจหลุดจากปืนฉีดและทำให้ได้รับบาดเจ็บได้

หัวฉีดโฟม

กำหนดเฉพาะประเทศ

▶ หมายเลข 43

จะพ่นน้ำยาทำความสะอาดออกมาเป็นโฟม

แปรงทำความสะอาด (ยาว)

▶ หมายเลข 44

หัวฉีดมาพร้อมกับแปรง สำหรับการล้างฝุ่นด้วยน้ำไปพร้อมๆ กับขัดด้วยแปรง

ชุดสายสูบน้ำ

► หมายเลข 45

เปลี่ยนเป็นชุดสายสูบน้ำแทนสายจ่ายน้ำเพื่อใช้น้ำจากแทงก์หรือถังเก็บน้ำ

การหมุนแปรปล้าง

► หมายเลข 46

เมื่อปล่อยน้ำแรงดันสูง แปรสามอันที่อยู่ด้านในจะหมุนช้าๆ เหมาะสำหรับการทำความสะอาดสิ่งสกปรกที่ผนังภายนอก ตัวถังรถ อย่างอบน้ำ ฯลฯ ที่ไม่ฝังแน่นนัก

ท่อต่อ

► หมายเลข 47

ท่อเพื่อขยายความยาวของปืนฉีด มีความยาวต่างกันสามขนาดให้เลือกโดยการเปลี่ยนจำนวนท่อที่ใช้

ท่อฉีดพ่นสำหรับที่เข้าถึงยาก

► หมายเลข 48

ท่อฉีดพ่นที่มีความยาวเป็นพิเศษซึ่งมาพร้อมกับหัวฉีดเข้ามุม เหมาะสำหรับการทำความสะอาดบริเวณที่เข้าถึงยากเช่นใต้ท้องรถและรางน้ำ

⚠ ข้อควรระวัง: อย่าใช้ท่อฉีดพ่นสำหรับที่เข้าถึงยากกับท่อต่อ

อุปกรณ์ป้องกันการกระเซ็น

► หมายเลข 49

ลดการกระเซ็นเมื่อทำความสะอาดมุมต่างๆ ด้วยหัวพ่นสิ่งสกปรก

ข้อต่อหมุน

► หมายเลข 50

ป้องกันสายยางแรงดันสูงบิด

ข้อต่อเชื่อม

► หมายเลข 51

ข้อต่อที่ใช้เชื่อมกับหัวฉีดของรุ่นอื่น

หัวฉีดบางชนิดไม่จำเป็นต้องใช้ข้อต่อเชื่อม (อุปกรณ์เสริม) ในการติดตั้งกับปืนฉีด ติดตั้งข้อต่อเชื่อมเข้ากับปืนฉีดด้วยวิธีเดียวกับที่ติดตั้งหัวฉีด

► หมายเลข 52: 1. หัวฉีด 2. ข้อต่อเชื่อม 3. ปืนฉีด

หมายเหตุ: ต้องใช้ข้อต่อเชื่อมหากใช้หัวฉีดของรุ่นอื่น HW112 หรือ HW121

ชุดทำความสะอาดท่อ (10 m/15 m)

► หมายเลข 53

สำหรับทำความสะอาดและกำจัดสิ่งสกปรกที่อุดตันท่อประปาและท่อระบายน้ำ

⚠ ข้อควรระวัง: ระวังน้ำแรงดันสูงเป็นพิเศษเมื่อใช้งานชุดทำความสะอาดท่อ น้ำที่ไหลย้อนกลับจะมีแรงดันสูงเป็นพิเศษ ตรวจสอบให้แน่ใจว่าได้สอดหัวสายเข้าไปในท่อแล้วก่อนกดไกปืน

สายต่อพ่วงสายยางแรงดันสูง (5 m/8 m/10 m)

► หมายเลข 54

สายต่อพ่วงใช้เชื่อมต่อตัวเครื่องฉีดน้ำแรงดันสูงกับปืนฉีด

Makita Corporation
3-11-8, Sumiyoshi-cho,
Anjo, Aichi 446-8502 Japan
www.makita.com

885721D370
EN, ZHCN, ID,
VI, TH
20200123