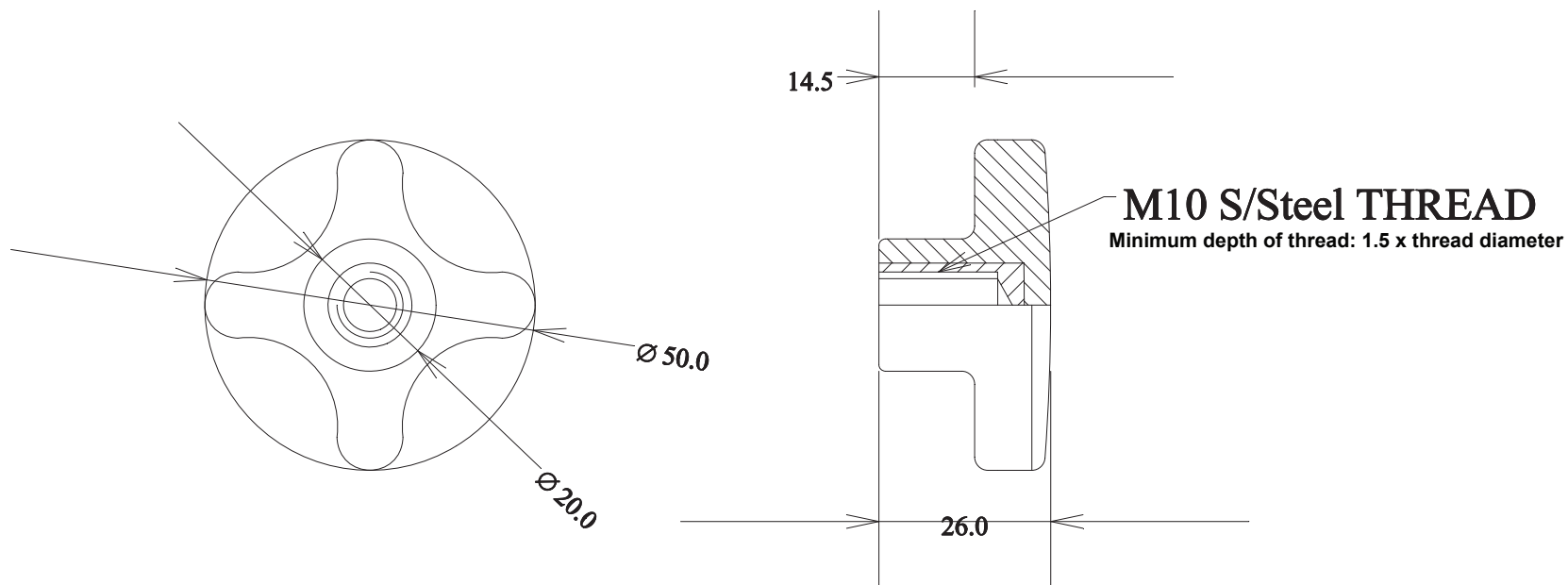




RevNo	Revision note	Date	Signature	Checked



Itemref	Quantity	Title		Article No./Reference		
		Star Knob - Polypropylene REV.2				
Designed by	Checked by	Approved by - date	Filename	Date	Scale	
				06 / 04 / 2010		
				RS 7027759		
				1	1/1	