

FEATURES

- Thermoplastic handles
- Zinc plated steel or stainless steel studs
- Matte black finish
- Can short term withstand +170°C
- Resistant to most chemicals, UV light and water absorption (1.5% max)
- Working temperature range of -20°C to +110°C

RS PRO Black Multiple Lobes Clamping Knob, M10

RS Stock No.: 702-7649



RS Professionally Approved Products bring to you professional quality parts across all product categories. Our product range has been tested by engineers and provides a comparable quality to the leading brands without paying a premium price.

Product Description

Knobs are used in a wide variety of applications in our day-to-day lives and perform many functions, from being used as fixed handles to being used to tighten, loosen, adjust and push other components or pieces of equipment. They are used in various applications, from industrial and construction machinery to audio and visual equipment.

Female Knobs: Zinc-plated steel: M6 x 9 (RS [7027594](#)), M8 x 12 (RS [7027598](#)), M10 x 15 (RS [7027601](#)), M10 x 15 (RS [7027605](#)), M8 x 12 (RS [7027608](#)), M12 x 8 (RS [7027614](#)).

Stainless steel: M6 x 9 (RS [7027651](#)), M8 x 12 (RS [7027655](#)), M10 x 15 (RS [7027661](#)), M10 x 15 (RS [7027667](#)), M12x18 (RS [7027670](#)).

Male Knobs: Zinc-plated steel: M6 x 20mm (RS [7027579](#)), M6 x 25mm (RS [7027572](#)), M8 x 20mm (RS [7027576](#)), M8 x 30mm (RS [7027585](#)), M8 x 25mm (RS [7027588](#)), M10 x 25mm (RS [7027582](#)), M12 x 30mm (RS [7027591](#)).

Stainless steel: M6 x 15mm (RS [7027627](#)), M6 x 20mm (RS [7027636](#)), M6 x 25mm (RS [7027639](#)), M8 x 20mm (RS [7027633](#)), M8 x 30mm (RS [7027642](#)), M8 x 25mm (RS [7027645](#)), M10 x 25mm (RS [7027649](#)), M12 x 30mm (RS [7027658](#)).

Through-Thread Knobs: Zinc-plated steel: M8 x 12 (RS [7027611](#)), M6 x 9 (RS [7027617](#)), M10 x 15 (RS [7027620](#)), M12 x 18 (RS [7027623](#)).

Stainless steel: M8 x 12 (RS [7027664](#)), M6 x 9 (RS [7027673](#)), M8 x 15 (RS [7027677](#)), M12 x 18 (RS [7027683](#)), M8 x 12 (RS [7027686](#)), M10 x 15 (RS [7027689](#)).

General Specifications

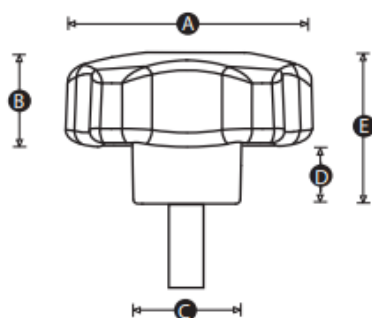
| | |
|------------------------|--|
| Thread | M10 |
| Knob Shape | Multiple Lobes |
| Mounting Type | Threaded Stud |
| Body Material | High impact resistant thermoplastic |
| Insert Material | Stainless Steel |
| Colour | Black |
| Finish | Matte |
| Application | Access doors, Drawers & panels (domestic and industrial), Clamps and fixtures, Industrial machinery, Food preparation machinery, Medical furniture |

Mechanical Specifications

| | |
|-----------------|------|
| Thread Diameter | 10mm |
| Thread Length | 25mm |
| Knob Diameter | 60mm |
| Hole Diameter | 21mm |
| Hole Length | 34mm |

Approvals

| | |
|---------------------------|----------|
| Compliance/Certifications | EN 61340 |
|---------------------------|----------|



| Part No. | A | B | C | D | E | Thread size | Thread length (mm) | Material | Thread material |
|----------|----|----|----|----|----|-------------|--------------------|---------------|-------------------|
| 7027627 | 28 | 16 | 14 | 9 | 25 | M6 | 15 | Polypropylene | Stainless steel |
| 7027579 | 28 | 16 | 14 | 9 | 25 | M6 | 20 | Polypropylene | Zinc plated steel |
| 7027636 | 28 | 16 | 14 | 9 | 25 | M6 | 20 | Polypropylene | Stainless steel |
| 7027572 | 40 | 17 | 18 | 12 | 29 | M6 | 25 | Polypropylene | Zinc plated steel |
| 7027639 | 40 | 17 | 18 | 12 | 29 | M6 | 25 | Polypropylene | Stainless steel |
| 7027576 | 40 | 17 | 18 | 12 | 29 | M8 | 20 | Polypropylene | Zinc plated steel |
| 7027633 | 40 | 17 | 18 | 12 | 29 | M8 | 20 | Polypropylene | Stainless steel |
| 7027585 | 40 | 17 | 18 | 12 | 29 | M8 | 30 | Polypropylene | Zinc plated steel |
| 7027642 | 40 | 17 | 18 | 12 | 29 | M8 | 30 | Polypropylene | Stainless steel |
| 7027588 | 50 | 19 | 21 | 12 | 31 | M8 | 25 | Polypropylene | Zinc plated steel |
| 7027645 | 50 | 19 | 21 | 12 | 31 | M8 | 25 | Polypropylene | Stainless steel |
| 7027582 | 60 | 21 | 21 | 13 | 34 | M10 | 25 | Polypropylene | Zinc plated steel |
| 7027649 | 60 | 21 | 21 | 13 | 34 | M10 | 25 | Polypropylene | Stainless steel |
| 7027591 | 60 | 21 | 21 | 13 | 34 | M12 | 30 | Polypropylene | Zinc plated steel |
| 7027658 | 60 | 21 | 21 | 13 | 34 | M12 | 30 | Polypropylene | Stainless steel |