

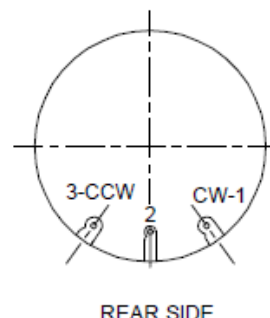
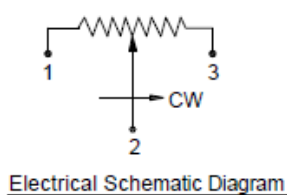
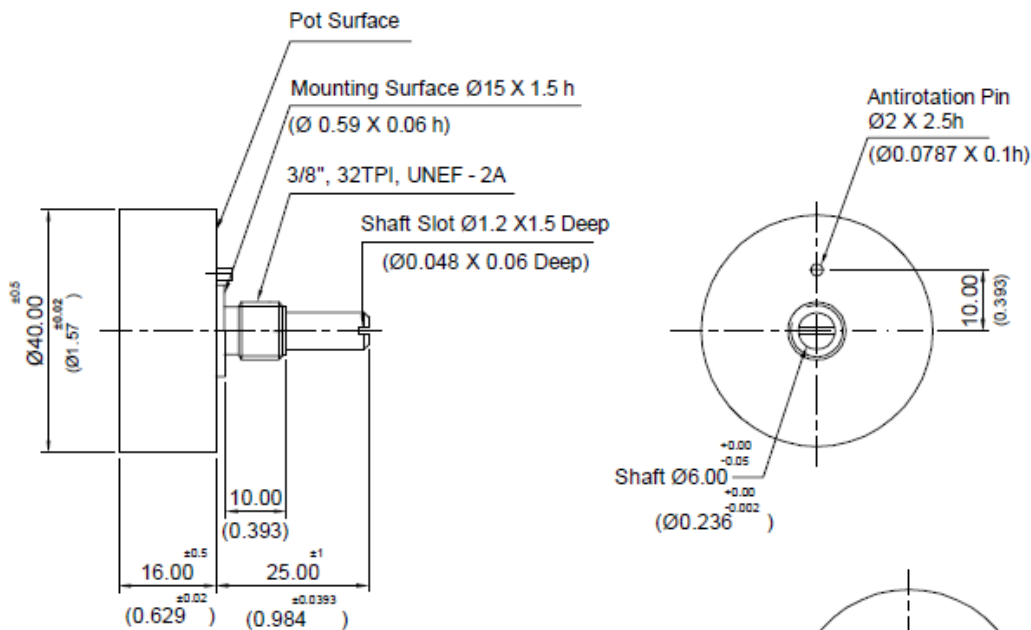
Datasheet

Single Turn Potentiometer

RS Stock: 842-7046



Dimensions: Metric (inch)



Specifications

Electrical Characteristics	Units	Value
Resistance Element	--	Wire Wound
Resistance Value	Ohms	500
Standard Resistance Tolerances	%	± 10
Best Possible Resistance Tolerances	%	± 5
Standard Independent Linearity Tolerances	%	± 0.75
Electrical Angle	Degrees	$270^{\circ}\text{C} \pm 5^{\circ}$
Resolution	--	As per turns
Temperature Coefficient of Resistance	Ppm/deg C	± 50 up to 1K ohms 150 for other values
Power Rating	Watts	1
Insulation Resistance	M Ohms	1000
Dielectric Strength @ 50Hz	VAC	500
Maximum Wiper Current	mAmps	1
Short Time Wiper Current 10 sec	mAmps	10
End Resistance	%	<0.1 or 5 hms which is higher

Mechanical Characteristics

Rotation (Mechanical Angle) Continuous	Degrees	$285^{\circ} + 5^{\circ}$
Bearing Type	--	Sleeve
Torque Starting	Nmm (oz inch)	15 (2.124)
Torque Running	Nmm (oz inch)	10 (1.41)
Axial Play	mm (inch)	0.2 (0.00787)
Radial Play	mm (inch)	0.2 (0.00787)



Environmental Characteristics

Operating Temperature	Degrees C	-50 to +105
<u>Performance</u>		
Rotational Life (shaft revolutions)	Nos.	100,000

Materials of Construction

Housing		Engineering Plastics
Shaft		Brass Nickel Plated
Terminals		Brass Silver Plated
Soldering Recommendation: Use Soldering Iron at 350°C for 3 seconds maximum		