

## Datasheet

# Slow Blow Square Ceramic Surface Mount Fuse, 1-5A

Stock No: 1823921,1823922,1823924,1823925,  
1823928,1823930,1823931,1823932,  
1823934

## RS Pro



## Specifications:

### Materials

Tube (Body): Non-Transparent ceramic tube fuse. No breaking or deformation is allowed.  
Two brass end caps: Made of brass of good conductivity.(Gold Plating)  
Copper Alloy: Fuse element.

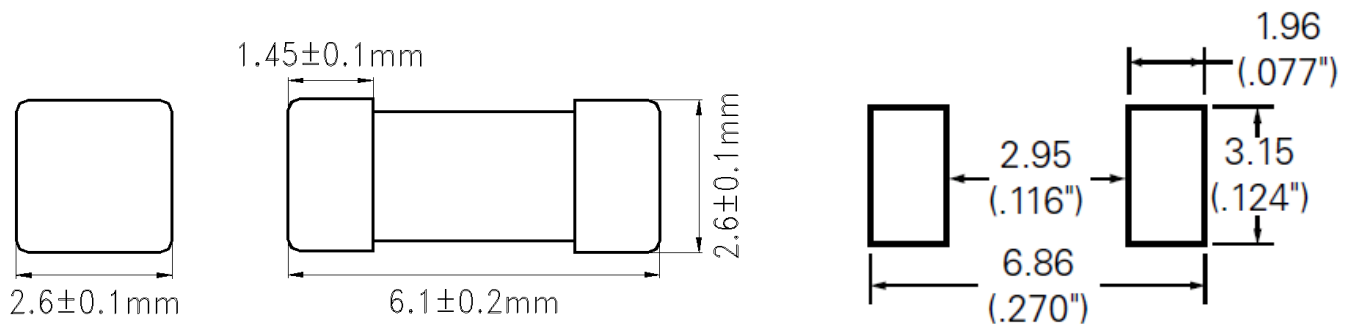
### Interrupting Ratings

50 A at 125V AC / DC  
300 A at 32V DC

### Operating Temperature

-55°C to +125°C

**Drawing (mm):**



**Electrical Characteristic:**

Rating	100% Rating		200% Rating		300% Rating		800% Rating	
	Min.	Max.	Min.	Max.	Min.	Max.	Min.	Max.
200mA~7A	4 Hrs		1 sec	60 sec	0.2 sec	3 sec	0.02sec	0.1 sec

	Nominal Resistance Cold Ohms
200 mA	1.1026 - 2.0476
250 mA	0.8810 - 1.6361
300 mA	0.8758 - 1.6266
375 mA	0.3662 - 0.6802
400 mA	0.3605 - 0.6695
450 mA	0.3506 - 0.6512
500 mA	0.2304 - 0.4278
700 mA	0.1854 - 0.3442
750 mA	0.1120 - 0.2080
3.15 A	0.0157 - 0.0291
6 A	0.0063 - 0.0117
7 A	0.0056 - 0.0104



ENG ISH

## Reference:

Stock No	Rating amperes
1823921	200mA 125V
1823922	250mA 125V
1823924	375mA 125V
1823925	400mA 125V
1823928	500mA 125V
1823930	750mA 125V
1823931	3.15A 125V
1823932	6A 125V
1823934	7A 125V