

# BS 336 Instantaneous Delivery Hose Coupling



The Singapore fire hose assembly that is used by SCDF comprises of a pair of instantaneous male and female Couplings made to British Standard 336 (BS 336 : 2010) bonded to a type 3 red fire hose made in accordance to British Standard 6391 (BS 6391 : 2009).

The aluminium version is commonly used for fresh water applications while the brass version is used for marine or salt water environment.

For quick release, the "ears" of the female coupling are pulled.

## Information

Made according to BS 336 with rust resistant brass alloy.

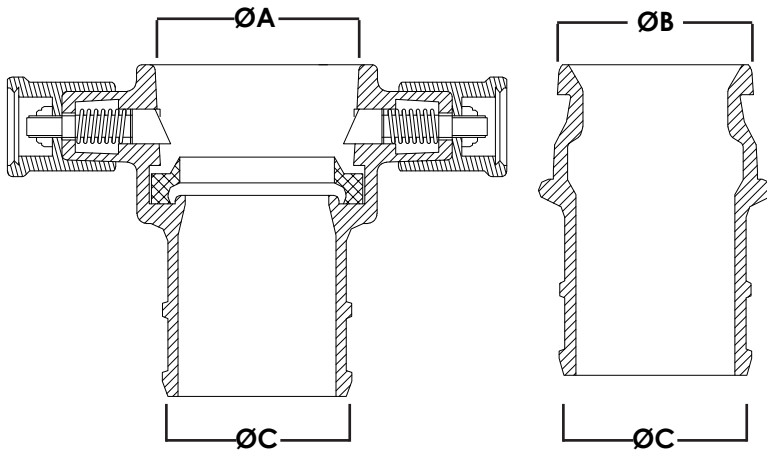
Used in Singapore Fire Service

## Manufactured to:

British Standard 336:2010  
Specifications for fire hose couplings and ancillary equipment

## Also known as:

BS Coupling, BS 336 Coupling, British Standard Coupling, Instantaneous Coupling



DESCRIPTION	ØA ID	ØB OD	ØC	MATERIAL	IMPA	PART NO
1.5" BS Instantaneous Coupling			1.5" Hose	BRASS	330859	CPL-G-BS1515
2.0" BS Instantaneous Coupling			2.0" Hose	BRASS	330860	CPL-G-BS2020
2.5" BS Instantaneous Coupling			2.5" Hose	BRASS	330861	CPL-G-BS2525
1.5" BS Instantaneous Coupling			1.5" Hose	ALU	330931	
2.0" BS Instantaneous Coupling			2.0" Hose	ALU	330932	
2.5" BS Instantaneous Coupling			2.5" Hose	ALU	330933	

Due to constant improvements, product dimensions may differ slightly.



**FIRE ARMOUR**

14 Fan Yoong Rd, Singapore 629791 T 62666788 F 62663788  
Email: firearmour@firearmour.com.sg