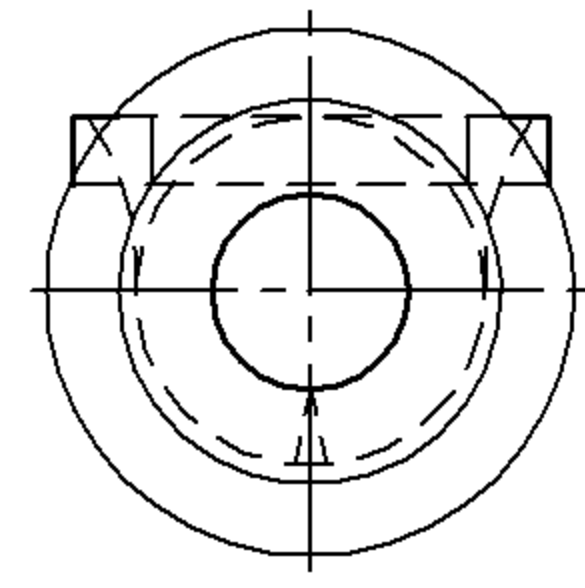
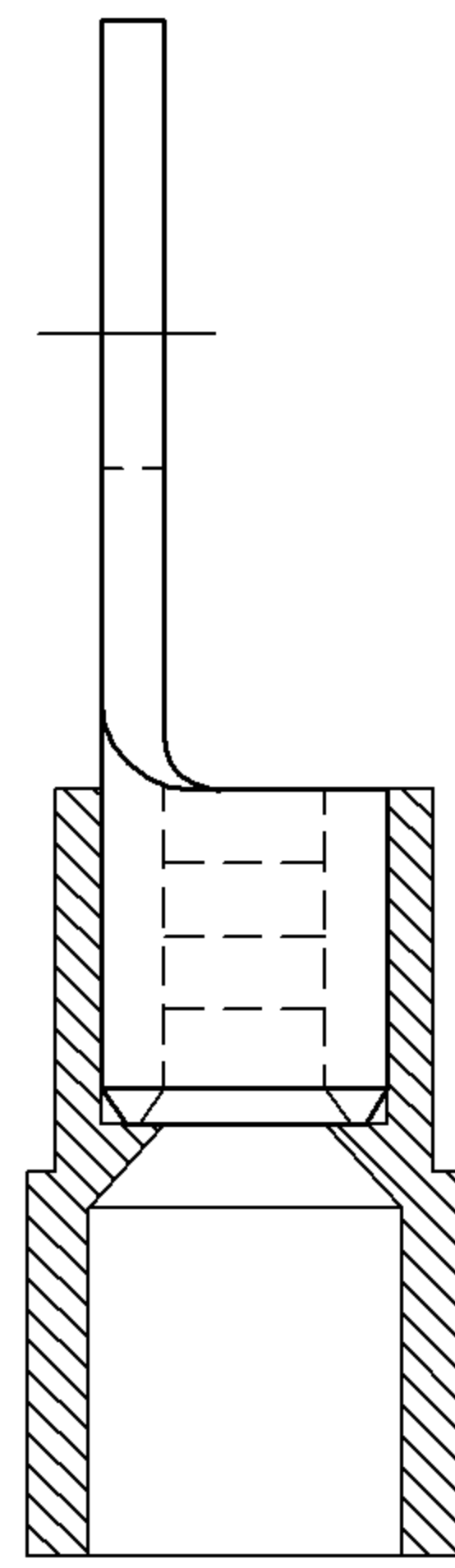
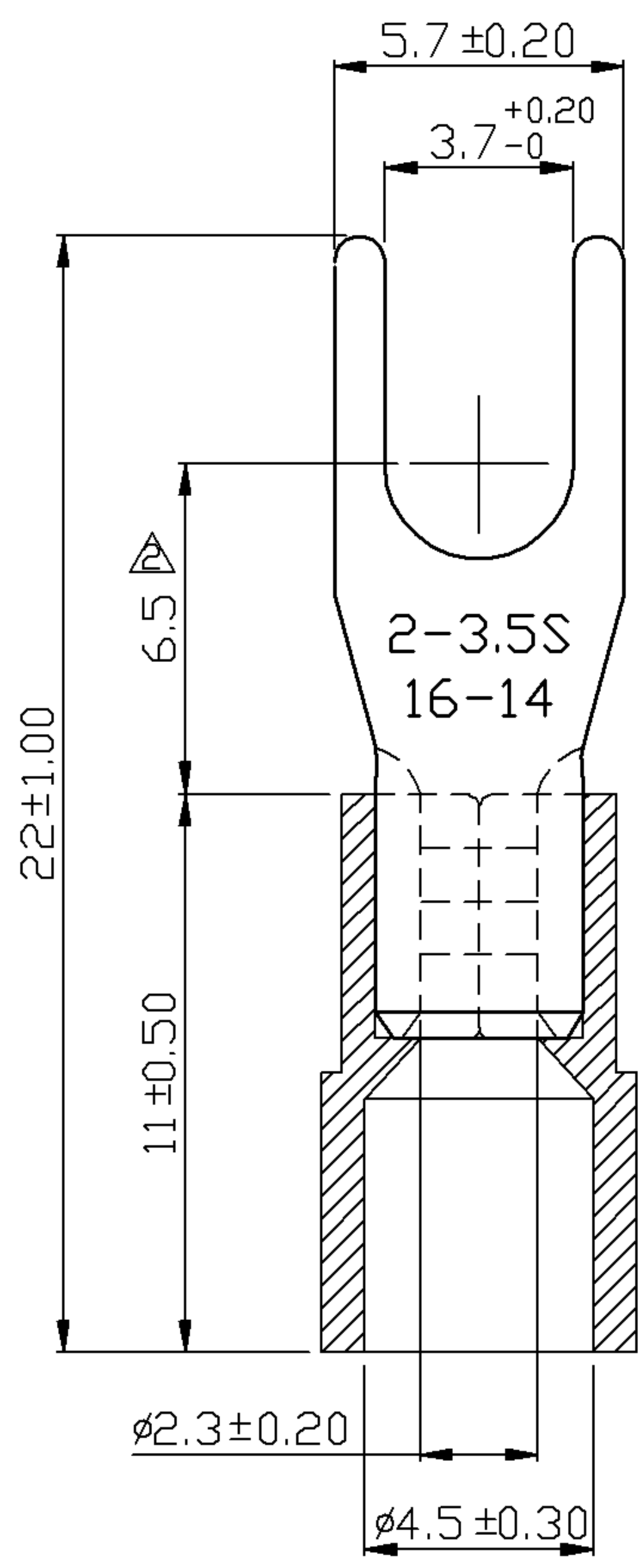


REV	DESCRIPTION	DATE
△1	RDK-97048	張馨尹 2009/04/02
△2	RDK-97127	張馨尹 2009/04/02
△3	RDK-98020	張馨尹 2009/04/02



- NOTE :
1. MAXIMUM ELECTRIC CURRENT :

A.W.G.	16	14
AMP.	18	30
 2. MAXIMUM ELECTRICAL RATING : 105°C 600 VOLTS MAX.
 3. INSULATION MATERIAL : VINYL
 4. INSULATION COLOR : BLUE
 5. TERMINAL MATERIAL : COPPER
 6. WIRE RANGE : 16-14 A.W.G. (1.5-2.5 mm²)
 7. TERMINAL SURFACE TREATMENT : TIN PLATED
 8. TERMINAL THICKNESS : 0.80 mm



△	Tolerance Unless	
□	Otherwise Specified	
0 >	mm ±	ANGLE
>	mm ±	0° ° REF ±
>	mm ±	° ° ±
>	mm ±	° ° ±

NAME	VINYL-INSULATED (MOLDED) SPADE TERMINALS			UNIT	個
PART NO.	SVYS2-3.7@	MATERIAL	-----	APPROVE	張馨尹
NUMBER	KA-96122-C	SCALE	SHEET PAGE	CHECKED	楊駿孝
DATE	2007/12/05	4/1	1-3 20F2	DRAWN	吳金賢