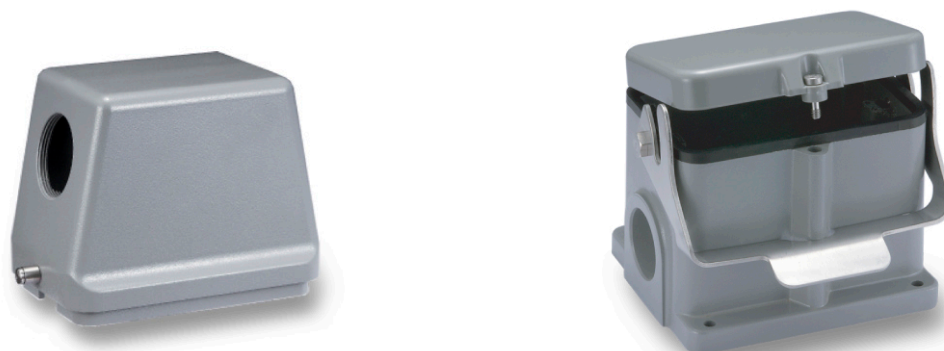




ENGLISH

## Datasheet

# RS PRO RS-H48B Heavy Duty Housing



The RS PRO Heavy-Duty Connector series is a full range of heavy-duty inserts, housings, crimps and accessories. The housing is produced from corrosion resistant, powder coated, die cast Aluminium with locking levers made from galvanized Iron. These are available in standard or tall variations with both single and double locking options and offer IP65 protection. Created for applications that are subjected to harsh environments or where high vibration can cause standard connectors to fail makes these connectors ideal for food & beverage manufacturing, packaging machines, conveyor belt systems, railway, oil & gas processing and other industrial automation. The entire range of connectors are RoHS compliant and as with all RS PRO products, offer exceptional value for money.

## Features & Benefits:

- Aluminium Die Cast Housing
- Powder Coated Surface
- IP65
- For use with PG or M style Cable Glands
- Fits RS PRO Heavy Duty Inserts

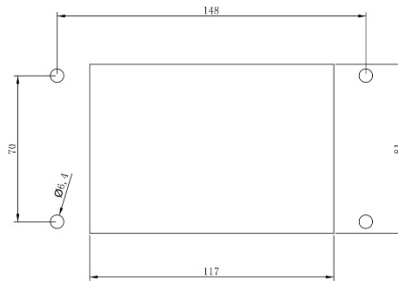
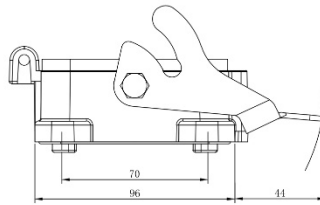
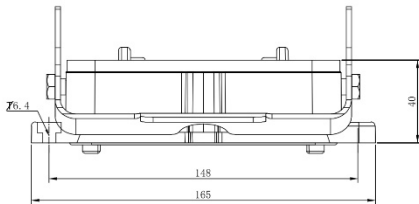
## Quality Standards



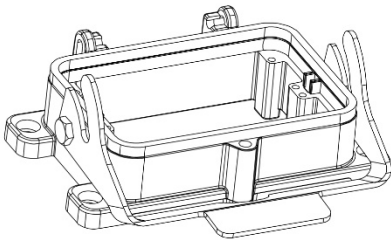
# Dimensional line drawings

## Bulkhead Mount 1 Locking Lever

### 208-4236



Panel cut out

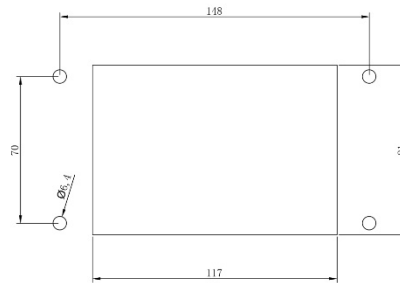
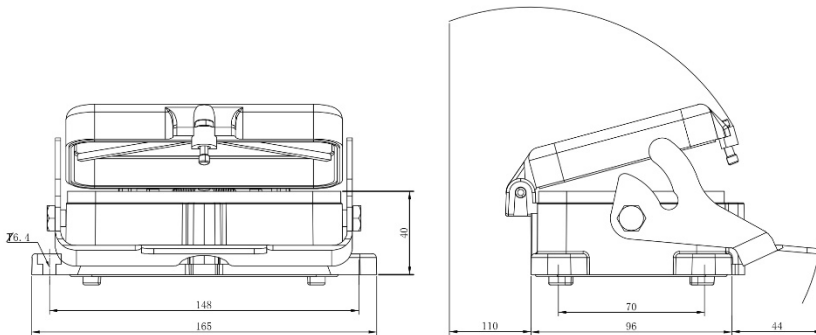


#### Technical specification:

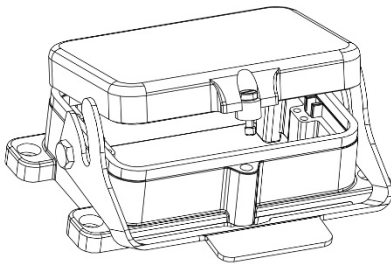
- Material: Aluminium die-cast
- Surface: powder-coated
- Colour: (grey)
- Temperature range:
  - 40 °C - +125 °C
- Degree of Protection: IP65  
(acc.to IEC 60529 for coupled connector)
- Locking element:
  - locking type: single locking latch
  - material: stainless steel
- Cable entry: bottom entry
- Hoods/Housings sealing: NBR

# Dimensional line drawings

## Bulkhead Mount 1 Locking Lever with Plastic Cover 208-4237



Panel cut out



- Technical specification:
- Material: Aluminium die-cast
  - Material, cover: PC
  - Surface: powder-coated
  - Colour: (grey)
  - Temperature range: -40°C - +125°C
  - Degree of Protection: IP65  
(acc.to IEC 60529 for coupled connector)
  - Locking element:
    - locking type: single locking latch
    - material: stainless steel
  - Cable entry: bottom entry
  - Hoods/Housings sealing: NBR

## Dimensional line drawings

### Side Entry Hood 2 Locking Points

M32 = 208-4238

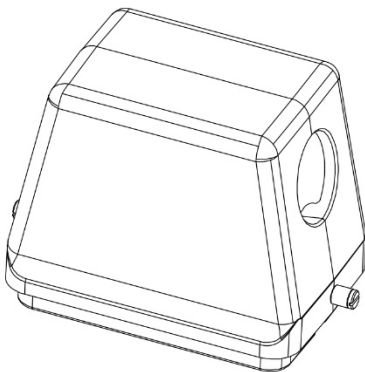
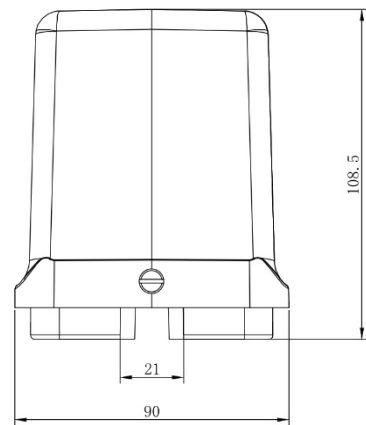
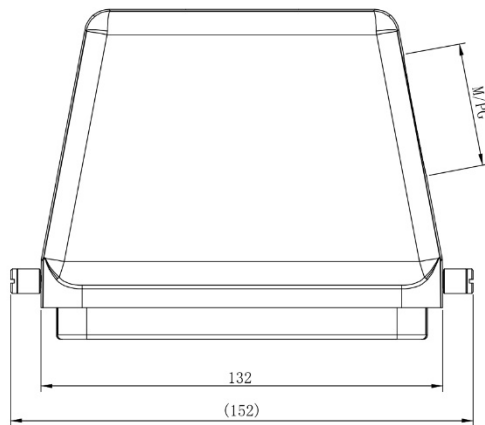
M40 = 208-4239

M50 = 208-4240

PG29 = 208-4241

PG36 = 208-4242

PG42 = 208-4243



#### Technical specification:

- Material: Aluminium die-cast
- Surface: powder-coated
- Colour: (grey)
- Temperature range:
  - 40°C - +125°C
- Degree of Protection: IP65  
(acc.to IEC 60529 for coupled connector)
- Cable entry: side entry
- No. of cable entries: 1
- Thread size: M/PG

## Dimensional line drawings

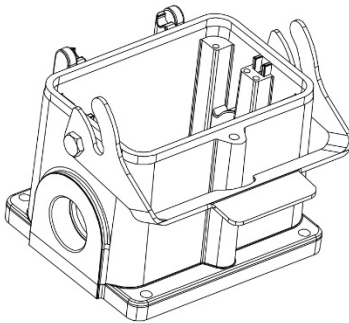
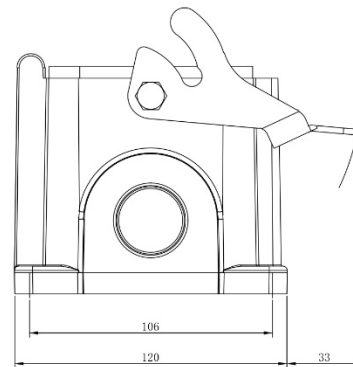
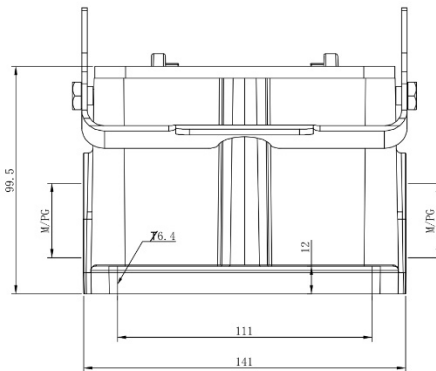
### Surface Mount 1 Locking Lever 2 Cable Openings

2xM32 = 208-4244

2xM40 = 208-4245

2xPG29 = 208-4247

2xPG36 = 208-4248



#### Technical specification:

- Material: Aluminium die-cast
- Surface: powder-coated
- Colour: (grey)
- Temperature range:
  - 40°C - +125°C
- Degree of Protection: IP65  
(acc.to IEC 60529 for coupled connector)
- Locking element:
  - locking type: single locking latch
  - material: stainless steel
- Cable entry: side entry
- No. of cable entries: 2
- Thread size: M/PG
- Hoods/Housings sealing: NBR

## Dimensional line drawings

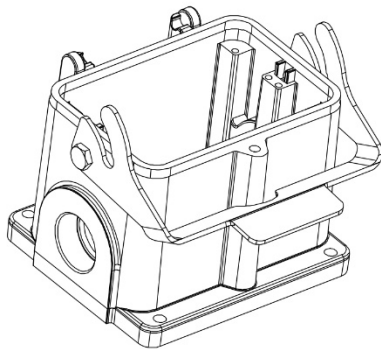
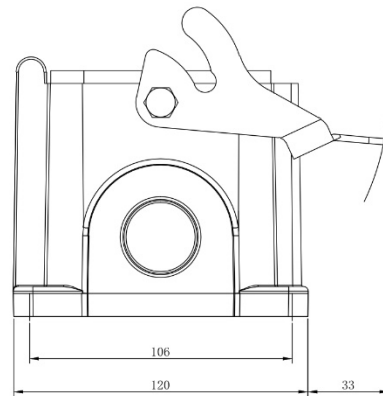
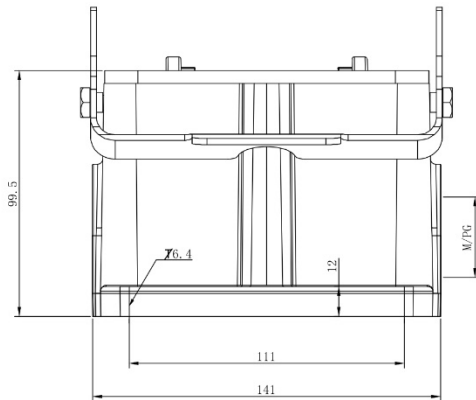
### Surface Mount 1 Locking Lever Single Cable Opening

M32 = 208-4258

M40 = 208-4259

PG29 = 208-4260

PG36 = 208-4261



#### Technical specification:

- Material: Aluminium die-cast
- Surface: powder-coated
- Colour: (grey)
- Temperature range:
  - 40°C - +125°C
- Degree of Protection: IP65  
(acc.to IEC 60529 for coupled connector)
- Locking element:
  - locking type: single locking latch
  - material: stainless steel
- Cable entry: side entry
- No. of cable entries: 1
- Thread size: M/PG
- Hoods/Housings sealing: NBR

## Dimensional line drawings

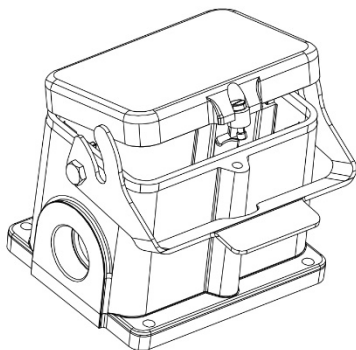
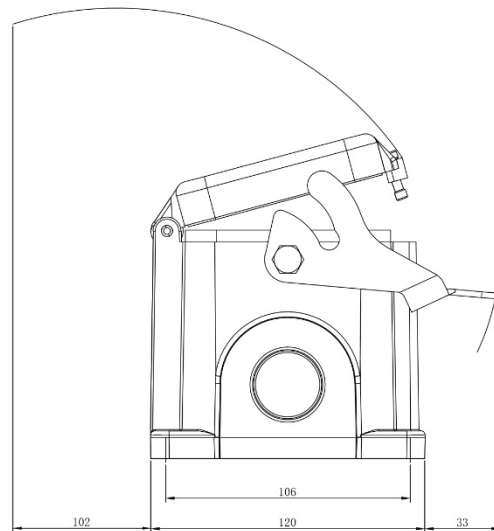
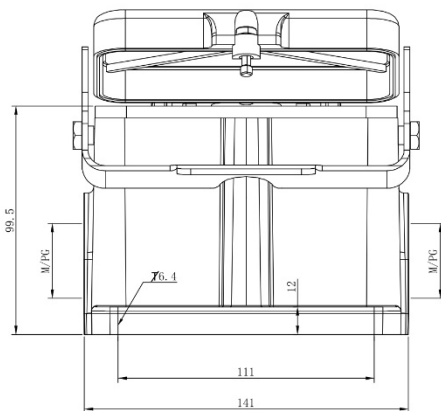
### Surface Mount 1 Locking Lever 2 Cable Openings with Plastic Cover

2xM32 = 208-4249

2xM40 = 208-4250

2xPG29 = 208-4251

2xPG36 = 208-4253



#### Technical specification:

- Material: Aluminium die-cast
- Material, cover: PC
- Surface: powder-coated
- Colour: (grey)
- Temperature range:
  - 40°C - +125°C
- Degree of Protection: IP65  
(acc.to IEC 60529 for coupled connector)
- Locking element:
  - locking type: single locking latch
  - material: stainless steel
- Cable entry: side entry
- No. of cable entries: 2
- Thread size: M/PG
- Hoods/Housings sealing: NBR



## Dimensional line drawings

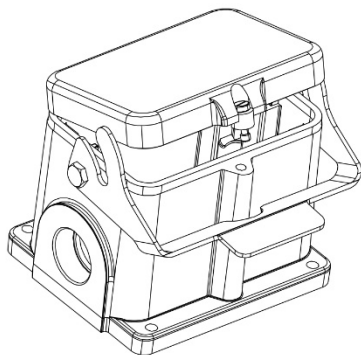
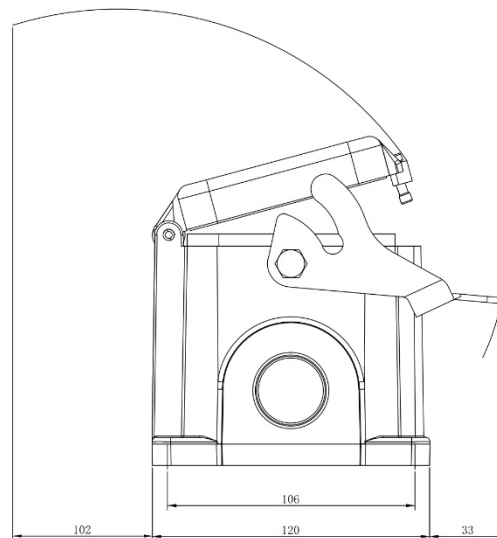
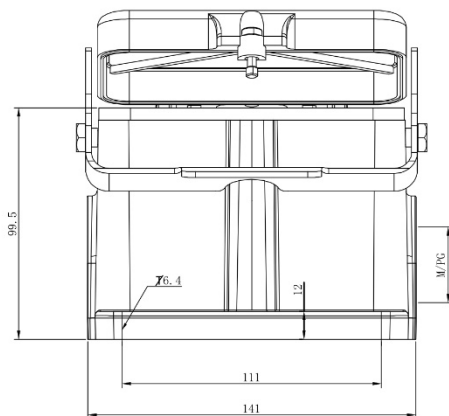
### Surface Mount 1 Locking Lever Single Cable Opening with Plastic Cover

M32 = 208-4254

M40 = 208-4255

PG29 = 208-4256

PG36 = 208-4257



#### Technical specification:

- Material: Aluminium die-cast
- Material, cover: PC
- Surface: powder-coated
- Colour: (grey)
- Temperature range:
  - 40 °C - +125 °C
- Degree of Protection: IP65  
(acc. to IEC 60529 for coupled connector)
- Locking element:
  - locking type: single locking latch
  - material: stainless steel
- Cable entry: side entry
- No. of cable entries: 1
- Thread size: M/PG
- Hoods/Housings sealing: NBR

## Dimensional line drawings

### Top Entry Hood 2 Locking Points

M32 = 208-4262

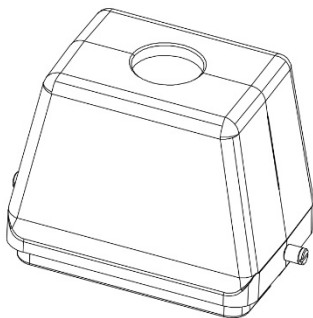
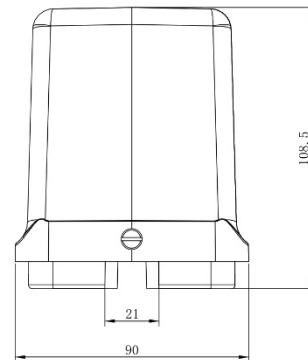
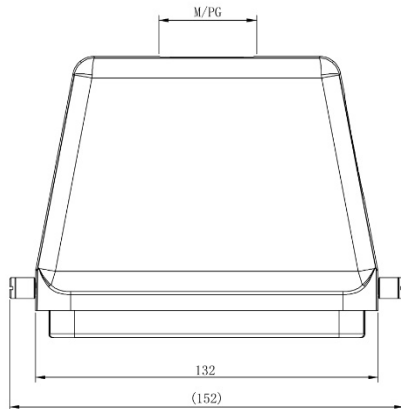
M40 = 208-4263

M50 = 208-4264

PG29 = 208-4265

PG36 = 208-4266

PG42 = 208-4267



Technical specification:

- Material: Aluminium die-cast
- Surface: powder-coated
- Colour: (grey)
- Temperature range:
  - 40°C - +125°C
- Degree of Protection: IP65  
(acc.to IEC 60529 for coupled connector)
- Cable entry: top entry
- No. of cable entries: 1
- Thread size: M/PG